

**PLEASE CHECK WWW.MOLEX.COM FOR LATEST PART INFORMATION**

**Part Number:** [0702461601](#)  
**Status:** **Active**  
**Overview:** [cgrid\\_sl\\_products](#)  
**Description:** 2.54mm (.100") Pitch C-Grid® Header, Low Profile, Dual Row, Vertical, Shrouded, 16 Circuits, 0.38µm (15µ") Gold (Au) Selective Plating, Tin (Sn) PC Tail Plating

**Documents:**

[3D Model](#) [RoHS Certificate of Compliance \(PDF\)](#)  
[Drawing \(PDF\)](#)

**Agency Certification**

CSA LR19980  
 UL E29179

**General**

Product Family PCB Headers  
 Series [70246](#)  
 Application Wire-to-Board  
 Overview [cgrid\\_sl\\_products](#)  
 Product Name C-Grid®

**Physical**

Breakaway No  
 Circuits (Loaded) 16  
 Circuits (maximum) 16  
 First Mate / Last Break No  
 Flammability 94V-0  
 Glow-Wire Compliant No  
 Guide to Mating Part No  
 Keying to Mating Part None  
 Lock to Mating Part None  
 Material - Plating Mating Gold  
 Material - Plating Termination Tin  
 Number of Rows 2  
 Orientation Vertical  
 PC Tail Length (in) 0.135 In  
 PC Tail Length (mm) 3.43 mm  
 PCB Locator No  
 PCB Retention None  
 PCB Thickness Recommended (in) 0.062 In  
 PCB Thickness Recommended (mm) 1.60 mm  
 Packaging Type Tray  
 Pitch - Mating Interface (in) 0.100 In  
 Pitch - Mating Interface (mm) 2.54 mm  
 Pitch - Term. Interface (in) 0.100 In  
 Pitch - Term. Interface (mm) 2.54 mm  
 Plating min: Mating (µin) 15.2  
 Plating min: Mating (µm) 0.38  
 Plating min: Termination (µin) 75.2  
 Plating min: Termination (µm) 1.88  
 Polarized to Mating Part Center Slot  
 Polarized to PCB No  
 Shrouded Fully  
 Stackable No  
 Surface Mount Compatible (SMC) No  
 Temperature Range - Operating -55°C to +120°C

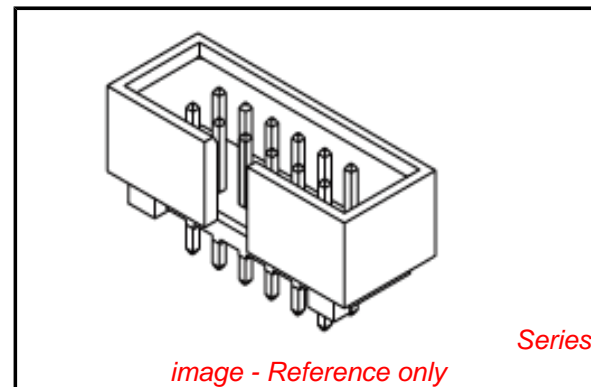


image - Reference only

**EU RoHS**

**ELV and RoHS Compliant**  
**REACH SVHC Contains SVHC: No**  
**Halogen-Free Status**

**China RoHS**



**Not Halogen-Free**  
**Need more information on product environmental compliance?**

Email [productcompliance@molex.com](mailto:productcompliance@molex.com)  
 For a multiple part number RoHS Certificate of Compliance, [click here](#)

Please visit the [Contact Us](#) section for any non-product compliance questions.

**Search Parts in this Series**

[70246Series](#)

**Mates With**

[70450 SL™](#) Crimp Housing, [70058 SL™](#) Crimp Terminal

Termination Interface: Style

Through Hole

**Electrical**

Current - Maximum per Contact

2.5A

Voltage - Maximum

250V DC

**Solder Process Data**

Duration at Max. Process Temperature (seconds)

10

Lead-free Process Capability

Wave Capable (TH only)

Max. Cycles at Max. Process Temperature

1

Process Temperature max. C

265

**Material Info**

**Reference - Drawing Numbers**

Packaging Specification

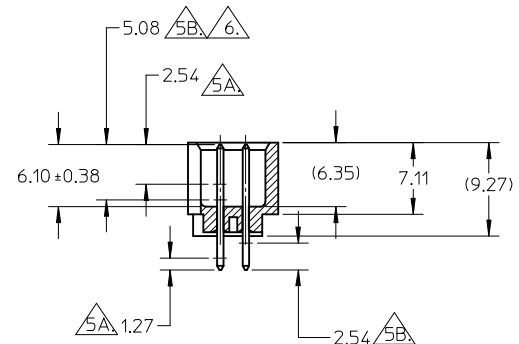
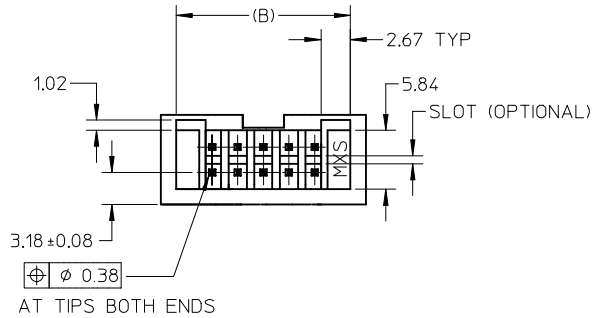
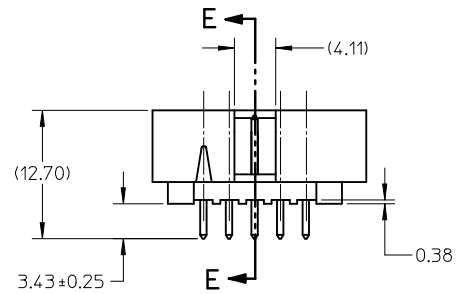
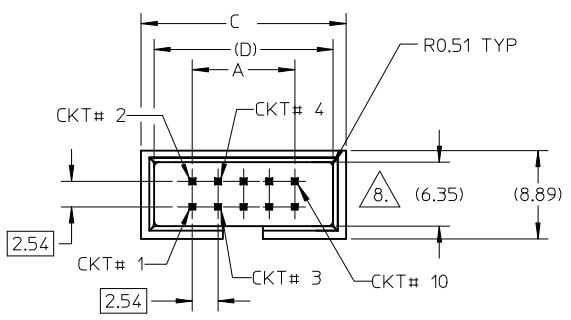
PK-87835-001

Sales Drawing

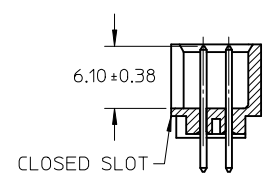
SDA-70246-20-25,39

This document was generated on 05/25/2010

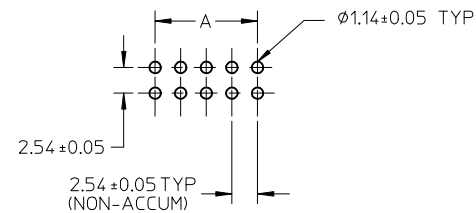
**PLEASE CHECK [WWW.MOLEX.COM](http://WWW.MOLEX.COM) FOR LATEST PART INFORMATION**



SECTION E-E



MOLEX IRELAND PRODUCTION ONLY (OPTION)



RECOMMENDED PCB HOLE LAYOUT

NOTES:

1. PIN PUSHOUT FORCE (.9072KG)/2LBS MIN.
2. PIN SOLDERABILITY PER MOLEX SPEC. ES-152.
3. PRODUCT SPEC: PS-70246 APPLIES.
4. WAFER TO BE FLAT WITHIN .003 MM/MM.
5. DIMENSIONS FOR PLATING LOCATION:
  - 5A MEASURE POINT FOR THICKNESS
  - 5B MINIMUM COVERAGE
  - 6. GOLD END OF PIN UNLESS OVERALL PLATED.
7. FINISH:
  - 571 : 15 MICRO INCHES MIN GOLD PLATE ON CONTACT AND 75 MICRO INCHES MIN TIN PLATE ON SOLDER TAIL BOTH OVER 50 MICRO INCHES MIN NICKEL OVERALL.
  - 574 : 30 MICRO INCHES MIN GOLD PLATE ON CONTACT AND 75 MICRO INCHES MIN TIN PLATE ON SOLDER TAIL BOTH OVER 50 MICRO INCHES MIN NICKEL OVERALL.
  - 544 : 5 MICRO INCHES MIN GOLD PLATE ON CONTACT AND 75 MICRO INCHES MIN TIN PLATE ON SOLDER TAIL BOTH OVER 50 MICRO INCHES MIN NICKEL OVERALL.
  - 573 : 20 MICRO INCHES MIN GOLD PLATE ON CONTACT AND 100 MICRO INCHES MIN TIN PLATE ON SOLDER TAIL BOTH OVER 50 MICRO INCHES MIN NICKEL OVERALL.
8. DIM AT THE CENTRE OF THE SHROUDED WALL SHALL BE 5.91MM MIN. THIS SPEC IS VALID FOR ALL CKT SIZE.
9. MATERIAL: HSG: GLASS FILLED PBT, UL94V-0, COLOUR BLACK  
PIN: 0.64MM SQ. PIN PHOSPHOR BRONZE.

CHANGES TO VOID CKT FOR P/N(70246-1003) EC NO: S2010-0052 DRWN: YMCHEONG 2009/07/24 CHKD: ATSEE 2009/07/28 APPR: MLONG 2009/07/29	QUALITY SYMBOLS	GENERAL TOLERANCES (UNLESS SPECIFIED)	DIMENSION STYLE	SCALE	DESIGN UNITS	THIRD ANGLE PROJECTION	
	▽=0 C=0	mm    INCH 4 PLACES ± --- ± --- 3 PLACES ± --- ± --- 2 PLACES ± 0.20 ± --- 1 PLACE ± --- ± --- ANGULAR ± 3 °	MM ONLY	NTS	METRIC		
	DESCRIPTION	DRAFT WHERE APPLICABLE MUST REMAIN WITHIN DIMENSIONS	DRAWN BY: JENNIFER CHECKED BY: RWONG APPROVED BY: ALANB	DATE: 1987/09/18 DATE: 1987/09/18 DATE: 1987/09/18	TITLE: C-GRID, SHROUDED HEADER (SLOTTED W/O STANDOFFS)		
	REV		MATERIAL NO. SEE TABLE SIZE: A3	DOCUMENT NO. SDA-70246-**20-25,39-41 SHEET NO. 1 OF 2	MOLEX INCORPORATED		

	10	9	8	7	6	5	4	3	2	1	
	PART NUMBER	CKT SIZE	VOID CKT	DIM A	DIM B	DIM C	DIM D	VOID CKT, ONLY APPLY TO PLATING CODE			
F	70246-08**	08	-	7.62	14.73	17.78	15.24	-			
	70246-10**	10	-	10.16	17.27	20.32	17.78	-			
	70246-12**	12	-	12.70	19.81	22.86	20.32	-			
	70246-14**	14	-	15.24	22.35	25.40	22.86	-			
	70246-16**	16	-	17.78	24.89	27.94	25.40	-			
	70246-20**	20	-	22.86	29.97	33.02	30.48	-			
	70246-24**	24	-	27.94	35.05	38.10	35.56	-			
	70246-26**	26	-	30.48	37.59	40.64	38.10	-			
E	70246-30**	30	-	35.56	42.67	45.72	43.18	-			
	70246-34**	34	-	40.64	47.75	50.80	48.26	-			
	70246-40**	40	-	48.26	55.37	58.42	55.88	-			
	70246-44**	44	-	53.34	60.45	63.50	60.96	-			
	70246-50**	50	-	60.96	68.07	71.12	68.58	-			
	70246-56**	56	-	68.58	75.69	78.74	76.20	-			
	70246-60**	60	-	73.66	80.77	83.82	81.28	-			
	70246-64**	64	-	78.74	85.85	88.90	86.36	-			
D	70246-72**	72	-	88.90	96.01	99.06	96.52	-			
	70246-25**	26	26	30.48	37.59	40.64	38.10	-			
	70246-1003	10	10	10.16	17.27	20.32	17.78	571			

LEGEND:

70246 - \* \* \* \* \*

CKT SIZE

PLATING OPT.

SEE TABLE FOR DETAIL

△ PART NUMBER	PLATING OPTION
70246-**-01	571
70246-**-02	574
70246-**-04	544
70246-**-12	573

C

B

CHANGES TO VOID CKT FOR P/N(70246-1003) EC NO: S2010-0052 DRWN: YMCHEONG 2009/07/24 CHKD: ATSEE 2009/07/28 APPR: MLONG 2009/07/29	QUALITY SYMBOLS	GENERAL TOLERANCES (UNLESS SPECIFIED) 4 PLACES ± --- ± --- 3 PLACES ± --- ± --- 2 PLACES ± 0.20 ± --- 1 PLACE ± --- ± --- ANGULAR ± 3 °	DIMENSION STYLE	SCALE	DESIGN UNITS	THIRD ANGLE PROJECTION	
	▼ = 0 ▽ = 0		MM ONLY	NTS	METRIC		
	DESCRIPTION		DRAWN BY	DATE	TITLE		
	REV		J2	JENNIFER	1987/09/18	C-GRID, SHROUDED HEADER (SLOTTED W/O STANDOFFS)	
		CHECKED BY	DATE	MATERIAL NO.			
		RWONG	1987/09/18	SDA-70246-**-20-25,39-41			
		APPROVED BY	DATE	SHEET NO.			
		ALANB	1987/09/18	2 OF 2			
		DRAFT WHERE APPLICABLE MUST REMAIN WITHIN DIMENSIONS			THIS DRAWING CONTAINS INFORMATION THAT IS PROPRIETARY TO MOLEX INCORPORATED AND SHOULD NOT BE USED WITHOUT WRITTEN PERMISSION		