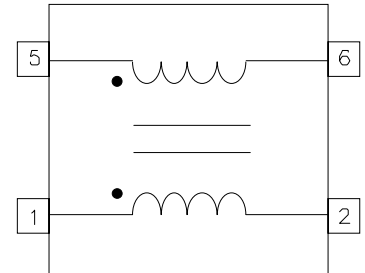


# SCR Trigger & Control Transformer

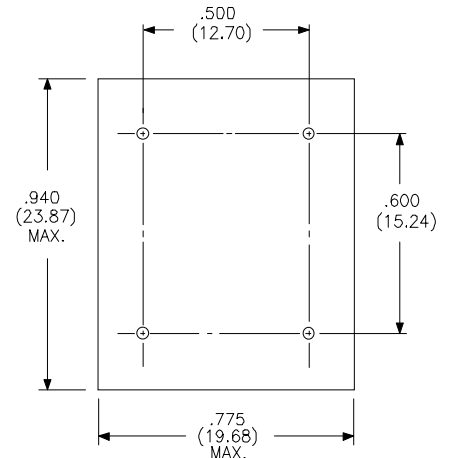
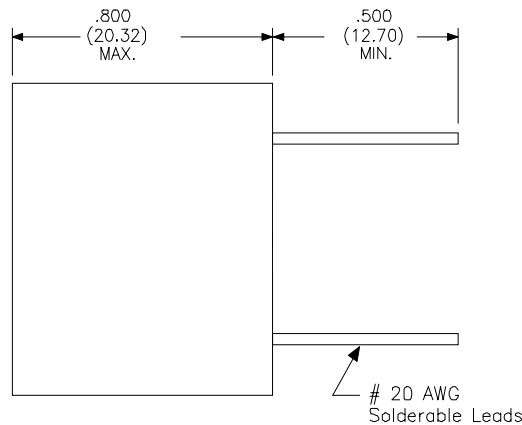
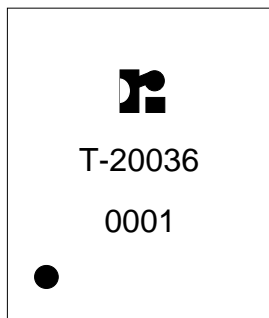
Turns Ratio ( ± 5 % )	1:1
-----------------------	-----

PARAMETER	MIN	TYP	MAX	UNITS
Inductance		400		μH
Leakage Inductance		1.2		μH
Capacitance (C <sub>W/W</sub> )		45		pF
E-T Product	150			V - μs
Primary DC Resistance		25		mΩ
Secondary DC Resistance		30		mΩ
Hi-pot	1500		V <sub>RMS</sub>	

Schematic Diagram



## PHYSICAL DIMENSIONS inches (mm)



RHOMBUS P/N: T-20036

CUST P/N:

NAME:

DATE: 1/11/2000

SHEET: 1 of 1