

PLEASE CHECK WWW.MOLEX.COM FOR LATEST PART INFORMATION

Part Number: [0945604010](#)
Status: **Active**
Overview: [rast 5 connector system](#)
Description: 5.00mm (.197") Pitch, Rast 5, PA Polyamide (Nylon) 6/6, UL 94V-2, 10 Circuits, Natural, Glow Wire Compatible

Documents:

[Drawing \(PDF\)](#) [RoHS Certificate of Compliance \(PDF\)](#)

General

Product Family	Crimp Housings
Series	94550
Overview	rast 5 connector system
Product Name	RAST 5

Physical

Circuits (maximum)	10
Color - Resin	Natural
Gender	Female
Glow-Wire Compliant	Yes
Lock to Mating Part	Yes
Material - Resin	Nylon
Number of Rows	1
Packaging Type	Bag
Panel Mount	No
Pitch - Mating Interface (in)	0.197 In
Pitch - Mating Interface (mm)	5.00 mm
Pitch - Term. Interface (in)	0.197 In
Pitch - Term. Interface (mm)	5.00 mm
Polarized to Mating Part	Yes
Ports	1
Stackable	No
Temperature Range - Operating	-40°C to +85°C

Material Info

Reference - Drawing Numbers

Sales Drawing	SD-94560-001
---------------	--------------

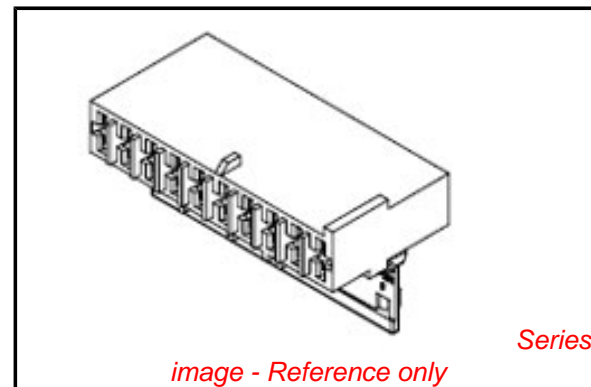


image - Reference only

EU RoHS

**ELV and RoHS
Compliant**
**REACH SVHC
Not Reviewed**
**Halogen-Free
Status
Not Reviewed**

China RoHS



**Need more information on product
environmental compliance?**

Email productcompliance@molex.com
 For a multiple part number RoHS Certificate of Compliance, [click here](#)

Please visit the [Contact Us](#) section for any non-product compliance questions.

Search Parts in this Series

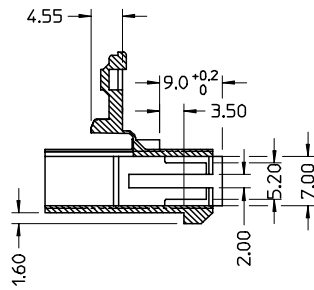
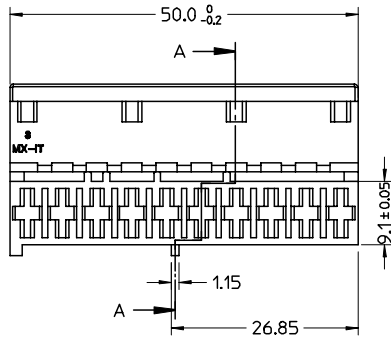
[94550Series](#)

Mates With

Rast 5 Headers, [90858](#) Vertical Header, [90879](#) Right Angle Header

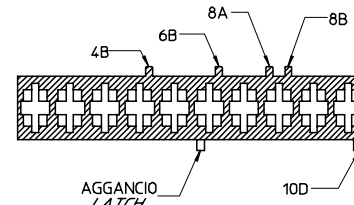
Use With

[94518](#) Crimp Terminal, [94549](#) Crimp Terminal

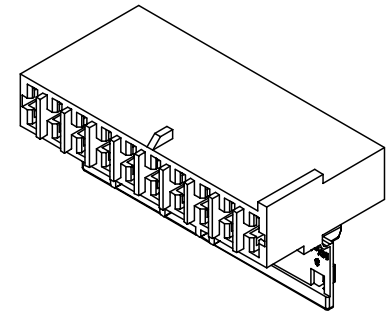


SEZ. A-A

CONFIGURAZIONE POLARIZZAZIONI
POLARIZATION CONFIGURATION

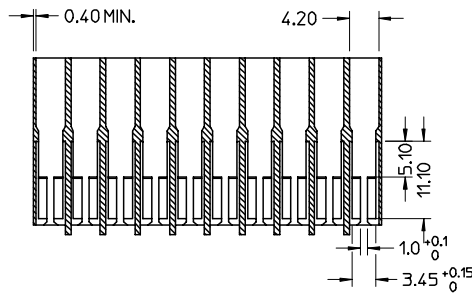


SEZ. C-C

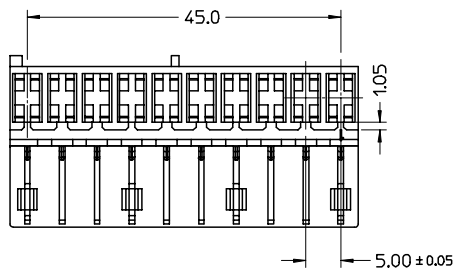
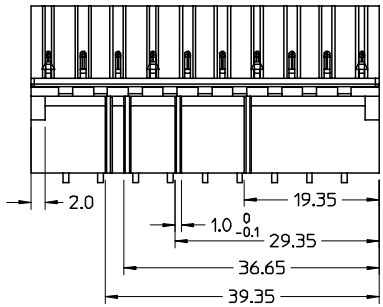
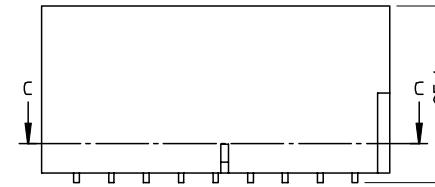
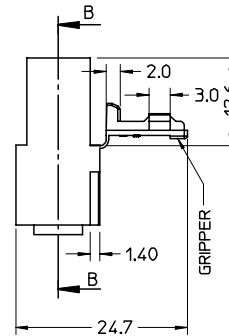


- NOTE:
- USATO CON TERMINALE 94518-0XXX E 94549-0XXX
 - SPECIFICA DI RIFERIMENTO PER IL CONNETTORE PS-94550-001
 - PER CARATTERISTICHE DI CRIMPATURA RIF. SD-94518-005 E SD-94549-001
 - FORZA DI DISACCOPLIAMENTO CONNETTORE (TRAZIONANDO DAI CAVI SENZA AZIONARE L'AGGANCIAMENTO): 60 N MIN.
 - SPESSORE MINIMO PARETI CONNETTORE 0.40 mm.

- NOTE:
- USED WITH TERMINALS 94518-0XXX AND 94549-0XXX
 - REFER TO PS-94550-001 FOR CONNECTOR SPECIFICATION
 - REFER TO SD-94518-005 FOR AND SD-94549-001 CRIMPING CHARACTERISTICS
 - CONNECTOR DISENGAGEMENT FORCE (PULLING BY THE WIRES, WITHOUT ACTUATING THE LATCH): 60 N MIN.
 - MINIMUM CONNECTOR WALL THICKNESS 0.40 mm.



SEZ. B-B



MATERIALE: NYLON 6.6 GWT 750°C SEC. IEC 60335-1
TEST METHOD IEC 60695-2-11 COLORE NATURALE

MATERIAL: NYLON 6.6 GWT 750°C SEC. IEC 60335-1
TEST METHOD IEC 60695-2-11 NATURAL

CONFEZIONE: Box da 1000 Pz.

PACKAGING: 1200 pcs in carton box

SPQ =1000 pz.

Std. Descr: "HSG WITH RIGID LATCH 10CKT NATURAL COLOR"

EC NO: Z2008-0003 DRWN:FGOTTARD 2007/07/25 CHKD:LSANTISS 2007/07/26 APPR:GZUIN 2007/07/26	QUALITY SYMBOLS ▽ 0 ◻ 0	GENERAL TOLERANCES (UNLESS SPECIFIED)		SCALE 2:1	DESIGN UNITS METRIC	FIRST ANGLE PROJECTION	REVISE ON CAD ONLY	
		mm	INCH	DIMENSION STYLE MM ONLY		TITLE HSG 10 CKT WITH SEC.LOCK		
		4 PLACES ± ---	± ---	DRAWN BY DATE FGOTTARD 2006/05/25	MOLEX INCORPORATED			
		3 PLACES ± ---	± ---	CHECKED BY DATE RSANDANO 2006/05/25	APPROVED BY DATE GZUIN 2006/05/25	MATERIAL NO. 94560-4010	DOCUMENT NO. SD-94560-001	SHEET NO. 1 OF 1
DRAFT WHERE APPLICABLE MUST REMAIN WITHIN DIMENSIONS		THIS DRAWING CONTAINS INFORMATION THAT IS PROPRIETARY TO MOLEX INCORPORATED AND SHOULD NOT BE USED WITHOUT WRITTEN PERMISSION						