

PLEASE CHECK WWW.MOLEX.COM FOR LATEST PART INFORMATION

Part Number: [0917174001](#)
Status: **Active**
Overview: [rast_25_connector_system](#)
Description: 5.00mm (.197") Pitch Appli-Mate RAST 2.5 IDT Housing, Direct/Indirect, Female, 6 Circuits, Fully Coded

Documents:

[3D Model](#) [Product Specification PS-99020-0040 \(PDF\)](#)
[Drawing \(PDF\)](#) [RoHS Certificate of Compliance \(PDF\)](#)

Agency Certification

CSA LR19980

General

Product Family IDT and Solder Connectors
 Series [91717](#)
 Crimp Quality Equipment Yes
 Overview [rast_25_connector_system](#)
 Product Name RAST 2.5
 Use With RAST standard interface

Physical

Circuits (Loaded) 6
 Circuits (maximum) 6
 Color - Resin Natural (White)
 Durability (mating cycles max) 10
 Flammability 94V-0
 Gender Female
 Glow-Wire Compliant No
 Lock to Mating Part None
 Material - Metal Phosphor Bronze
 Material - Plating Mating Tin
 Material - Plating Termination Tin
 Material - Resin Nylon
 Number of Rows 1
 Packaging Type Tray
 Panel Mount No
 Pitch - Mating Interface (in) 0.197 In
 Pitch - Mating Interface (mm) 5.00 mm
 Pitch - Term. Interface (in) 0.197 In
 Pitch - Term. Interface (mm) 5.00 mm
 Plating min: Mating (µin) 40
 Plating min: Mating (µm) 1.00
 Plating min: Termination (µin) 40
 Plating min: Termination (µm) 1.00
 Polarized to Mating Part Yes
 Stackable No
 Temperature Range - Operating -20C TO +120C
 Termination Interface: Style IDT or Pierce
 Wire Size AWG 22, 24

Electrical

Current - Maximum per Contact 2A
 Voltage - Maximum 250V AC

Material Info

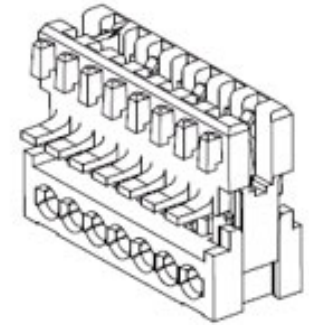


image - Reference only

Series

EU RoHS

ELV and RoHS Compliant

REACH SVHC

Contains SVHC: No

Halogen-Free

Status

Not Reviewed

China RoHS



Need more information on product environmental compliance?

Email productcompliance@molex.com
 For a multiple part number RoHS Certificate of Compliance, [click here](#)

Please visit the [Contact Us](#) section for any non-product compliance questions.

Search Parts in this Series

[91717Series](#)

Mates With

Appli-Mate RAST 2.5 Header [93071](#)

Application Tooling | FAQ

Tooling specifications and manuals are found by selecting the products below. Crimp Height Specifications are then contained in the Application Tooling Specification document.

Global

Description	Product #
RAST 2.5 Semi-Automatic Terminator Machine For Appli-Mate™ Connectors	0623006200
Manual Arbor Press, RAST 2.5	0622017400

Reference - Drawing Numbers

Application Specification

Product Specification

Sales Drawing

AS-99033-0008

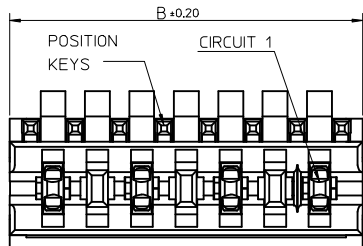
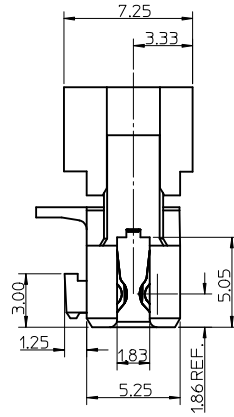
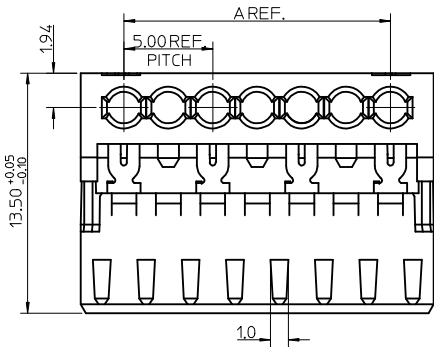
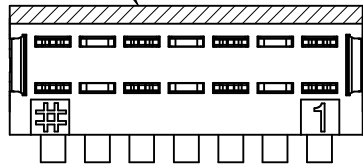
PS-99020-0040

SD-91717-001

This document was generated on 05/28/2010

PLEASE CHECK WWW.MOLEX.COM FOR LATEST PART INFORMATION

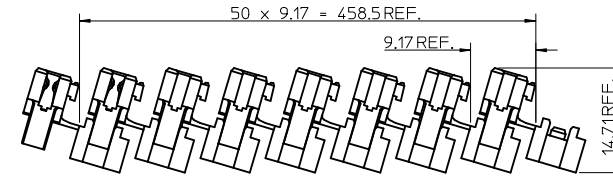
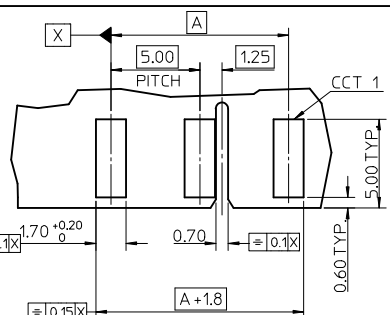
POSITION OF COLOUR STRIPE (see note 3)



- NOTES:
- REFER TO PRODUCT SPECIFICATION: PS-99020-0040.
 - MATERIAL: HOUSING - NYLON PA6
UL94-V0, COLOUR: NATURAL (WHITE).
TERMINAL: PHOSPHOR BRONZE 0.30 REF. THICK - PLATING HOT TIN DIP.
 - COLOUR STRIPE IS OPTIONAL, AVAILABLE IN THE FOLLOWING COLOURS: BLACK, RED, GREEN, BLUE
 - REFER TO PACKAGING SPEC (PK-90871-001).
 - REFER TO APPLICATION SPEC (AS-99033-0008)

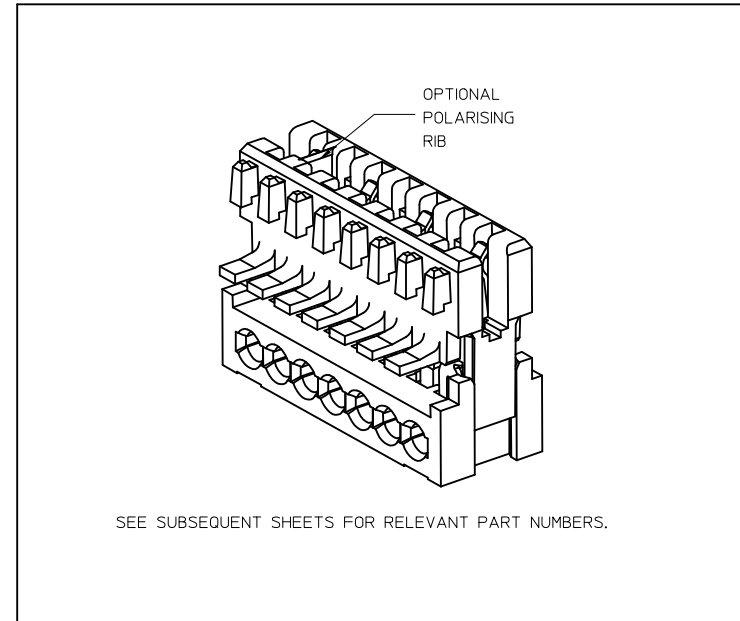
- RECOMMENDED PCB LAYOUT FOR 3CCT (5MM PITCH) CONNECTOR (OPTIONAL POSITIONAL RIB SLOT ALSO SHOWN)

- RECOMMENDED PCB THICKNESS 1.5±0.14mm



SHIPPING ARRANGEMENT SCALE 2:1

CCT	'A'	'B'
2	5.0	9.875
3	10.0	14.875
4	15.0	19.875
5	20.0	24.875
6	25.0	29.875
7	30.0	34.875
8	35.0	39.875
9	40.0	44.875
10	45.0	49.875



SEE SUBSEQUENT SHEETS FOR RELEVANT PART NUMBERS.

ADDED P/N'S EC NO: E2009-0568 DRWN: TIOURISH 2009/05/12 CHKD: BRUTTLE 2009/05/12 APPR: BMAGUIRE 2009/05/12	QUALITY SYMBOLS ▽=0 ▽=0	GENERAL TOLERANCES (UNLESS SPECIFIED)		DIMENSION STYLE MM ONLY		SCALE 5:1	DESIGN UNITS METRIC	THIRD ANGLE PROJECTION
		4 PLACES ± --- ± --- 3 PLACES ± --- ± --- 2 PLACES ± 0.10 ± --- 1 PLACE ± 0.2 ± ---	mm INCH ± --- ± --- ± 0.10 ± --- ± 0.2 ± ---	DRAWN BY NMCNAMAR	DATE 2004/02/12	TITLE APPLI-MATE 2.5 FEMALE 5MM TERMINAL PITCH (MATL: NYLON PA6)	CHECKED BY JDENNEHY	DATE 2004/02/13
DRAFT WHERE APPLICABLE MUST REMAIN WITHIN DIMENSIONS		SEE SHEET 2&3		MATERIAL NO. SD-91717-001		MOLEX INCORPORATED		SHEET NO. 1 OF 3
THIS DRAWING CONTAINS INFORMATION THAT IS PROPRIETARY TO MOLEX INCORPORATED AND SHOULD NOT BE USED WITHOUT WRITTEN PERMISSION								

2 CIRCUIT				
MOLEX PART NO.	REMOVED POSITION KEYS	CONFIGURATION (SEE NOTE 1)	POLARIZING RIB	COLOUR STRIPE
91717-0002	NONE		NONE	NONE
91717-0003	a		NONE	NONE
91717-0004	b		NONE	NONE
91717-0005	c		NONE	NONE
91717-0006	d		NONE	NONE
91717-0007	b d		NONE	NONE
91717-0008	a c		NONE	NONE
91717-0009	a d		NONE	NONE
91717-0010	a b		NONE	NONE
91717-0011	b c		NONE	NONE
91717-0012	c d		NONE	NONE
91717-0014	b c d		NONE	NONE
91717-0013	b c		NONE	RED
91717-0015	b c d		NONE	BLUE
91717-0016	c d		NONE	BLUE
91717-0017	NONE		BETWEEN HSG CKT 2&3	NONE
91717-0018	NONE		BETWEEN HSG CKT 1&2	NONE
91717-0019	NONE		NONE	BLUE
91717-0020	a c		NONE	BLUE
91717-0021	b c		NONE	GREEN
91717-0022	a d		NONE	GREEN
91717-0023	NONE		NONE	GREEN
91717-0024	d		BETWEEN HSG CKT 1&2	RED

2 CIRCUIT				
MOLEX PART NO.	REMOVED POSITION KEYS	CONFIGURATION (SEE NOTE 1)	POLARIZING RIB	COLOUR STRIPE
91717-0025	a c		BETWEEN HSG CKT 1&2	RED
91717-0026	a		BETWEEN HSG CKT 2&3	NONE
91717-0027	NONE		BETWEEN HSG CKT 2&3	RED
91717-0028	a		NONE	RED
91717-0029	NONE		NONE	RED
91717-0030	b c d		BETWEEN HSG CKT 1&2	RED
91717-0031	a		BETWEEN HSG CKT 2&3	RED
91717-0032	b		NONE	RED
91717-0033	d		NONE	YELLOW
91717-0035	b d		NONE	GREEN
91717-0036	NONE		BETWEEN HSG CKT 1&2	RED
91717-0037	b d		BETWEEN HSG CKT 1&2	RED
91717-0038	a c		BETWEEN HSG CKT 2&3	NONE
91717-0039	a b d		NONE	NONE
91717-0040	a		NONE	BLUE

NOTES
 1. + DENOTES TERMINAL VOIDED POSITION
 ● DENOTES TERMINAL LOADED POSITION
 | DENOTES POLARIZING RIB POSITION

3 CIRCUIT				
MOLEX PART NO.	REMOVED POSITION KEYS	CONFIGURATION (SEE NOTE 1)	POLARIZING RIB	COLOUR STRIPE
91717-1001	NONE		NONE	NONE
91717-1002	b		NONE	NONE
91717-1003	c		NONE	NONE
91717-1004	c d e		NONE	NONE
91717-1005	NONE		BETWEEN HSG CKT 4&5	NONE
91717-1007	NONE		BETWEEN HSG CKT 1&2	NONE
91717-1008	d e f		NONE	RED
91717-1009	a b c		NONE	RED
91717-1010	a c d e		NONE	NONE
91717-1011	a c d e		NONE	BLUE
91717-1012	b c d e		NONE	NONE
91717-1013	a c e		NONE	NONE

SEE SHEET 1 EC NO: E2009-0568 DRAWN: TOUR SH CHKD: BRUTTE APPR: BMAGUIRE 2009/05/12 2009/05/12 2009/05/12	QUALITY SYMBOLS = 0.25 = 0.1 ANGULAR ±1/2°	GENERAL TOLERANCES (UNLESS SPECIFIED) 4 PLACES ±--- ±--- 3 PLACES ±--- ±--- 2 PLACES ±0.10 ±--- 1 PLACE ±0.2 ±---	DIMENSION STYLE MM ONLY	SCALE 1:1	DESIGN UNITS METRIC	THIRD ANGLE PROJECTION
	DRAFT WHERE APPLICABLE MUST REMAIN WITHIN DIMENSIONS		SEE CHARTS	TITLE APPLI-MATE 2.5 FEMALE 5MM TERMINAL PITCH (MATL: NYLON PA6)		
	MATERIAL NO.		DOCUMENT NO.		SHEET NO.	
	SD-91717-001		2 OF 3		MOLEX INCORPORATED	

4 CIRCUIT

MOLEX PART NO.	REMOVED POSITION KEYS	CONFIGURATION (SEE NOTE 1)	POLARIZING RIB	COLOUR STRIPE
91717-2001	NONE		NONE	NONE
91717-2002	a		NONE	NONE
91717-2003	b		NONE	NONE
91717-2004	d f		NONE	NONE
91717-2005	a e g		NONE	RED
91717-2006	c e		NONE	NONE
91717-2007	a b d e g		NONE	NONE

7 CIRCUIT

MOLEX PART NO.	REMOVED POSITION KEYS	CONFIGURATION (SEE NOTE 1)	POLARIZING RIB	COLOUR STRIPE
91717-5001	a c e g i k m		NONE	NONE

5 CIRCUIT

MOLEX PART NO.	REMOVED POSITION KEYS	CONFIGURATION (SEE NOTE 1)	POLARIZING RIB	COLOUR STRIPE
91717-3001	NONE		NONE	NONE
91717-3002	b c g h i		NONE	GREEN

8 CIRCUIT

MOLEX PART NO.	REMOVED POSITION KEYS	CONFIGURATION (SEE NOTE 1)	POLARIZING RIB	COLOUR STRIPE
91717-6001	NONE		NONE	NONE

6 CIRCUIT

MOLEX PART NO.	REMOVED POSITION KEYS	CONFIGURATION (SEE NOTE 1)	POLARIZING RIB	COLOUR STRIPE
91717-4001	NONE		NONE	NONE
91717-4002	b c d e f g h i k		NONE	NONE

9 CIRCUIT

MOLEX PART NO.	REMOVED POSITION KEYS	CONFIGURATION (SEE NOTE 1)	POLARIZING RIB	COLOUR STRIPE
91717-7001	NONE		NONE	NONE

10 CIRCUIT

MOLEX PART NO.	REMOVED POSITION KEYS	CONFIGURATION (SEE NOTE 1)	POLARIZING RIB	COLOUR STRIPE
91717-8001	NONE		NONE	NONE

- NOTES
- + DENOTES TERMINAL VOIDED POSITION
 - DENOTES TERMINAL LOADED POSITION
 - ⊥ DENOTES POLARIZING RIB POSITION
 - A - APPLICABLE CABLE: UL 1569, 22 AWG, 7 Strand

SEE SHEET 1 EC NO: E2009-0568 DRAWN: TOUR SH CHKD: BRUTLE APPR: BMAGUIRE 2009/05/12 2009/05/12 2009/05/12	QUALITY SYMBOLS ▽=0 ▽=0	GENERAL TOLERANCES (UNLESS SPECIFIED) mm INCH 4 PLACES ±--- ±--- 3 PLACES ±--- ±--- 2 PLACES ±0.10 ±--- 1 PLACE ±0.2 ±--- ANGULAR ±1/2°	DIMENSION STYLE MM ONLY	SCALE 1:1	DESIGN UNITS METRIC	THIRD ANGLE PROJECTION	
	DRAWN BY NMCNAMAR	DATE 2004/02/12	CHECKED BY JDENNEHY	DATE 2004/02/13	TITLE APPLI-MATE 2.5 FEMALE 5MM TERMINAL PITCH (MATL: NYLON PA6)		
	APPROVED BY BMAGUIRE	DATE 2004/02/16	MATERIAL NO. SD-91717-001			DOCUMENT NO. 3 OF 3	
	DRAFT WHERE APPLICABLE MUST REMAIN WITHIN DIMENSIONS			SEE CHARTS THIS DRAWING CONTAINS INFORMATION THAT IS PROPRIETARY TO MOLEX INCORPORATED AND SHOULD NOT BE USED WITHOUT WRITTEN PERMISSION			