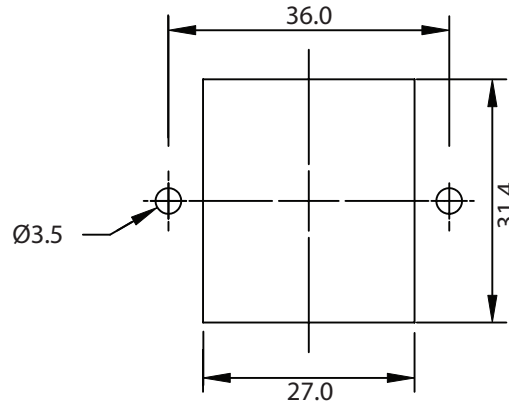
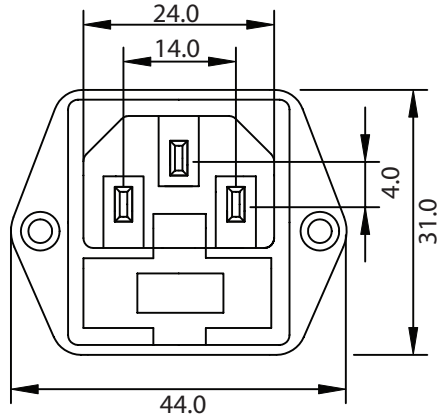
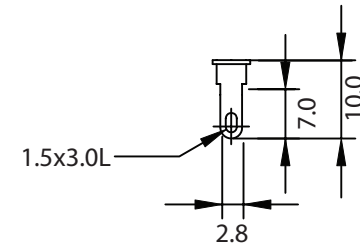
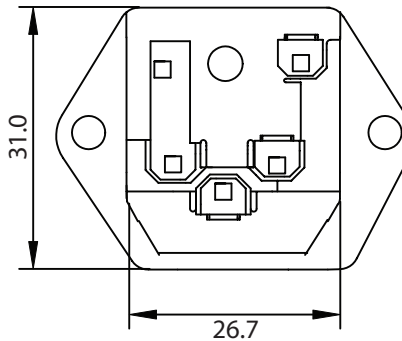
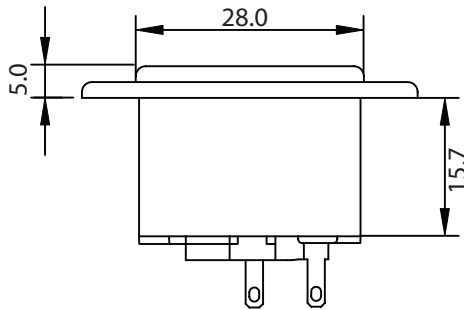
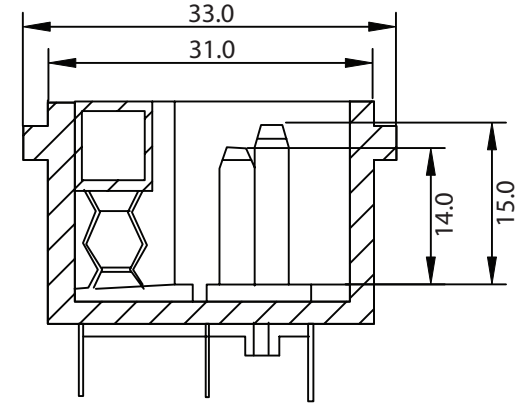


THESE DRAWINGS ARE THE PROPERTY OF QUALTEK ELECTRONICS AND NOT TO BE REPRODUCED FOR OR COMMUNICATED TO A THIRD PARTY WITHOUT THE EXPRESS WRITTEN PERMISSION OF AN OFFICER OF QUALTEK ELECTRONICS.

| REVISION |                 |          |          |
|----------|-----------------|----------|----------|
| REV.     | DESCRIPTION     | DATE     | APPROVED |
| B        | RoHS Compliancy | 06-01-06 | DP       |
|          |                 |          |          |



PANEL CUTOUT



NOTES:

MATERIAL:

- MOULDING: NYLON, FLAMMABILITY RATING UL 94 V-0
- CONTACTS: BRASS, PINS NICKEL PLATED, TAGS TIN PLATED
- RATING: 10A 250V AC
- CONTACT RESISTANCE: <10m OHM
- INSULATION RESISTANCE: >10<sup>3</sup> M OHM
- A.C. BREAKDOWN:
  - POLE-POLE: 5kV
  - POLES-PANEL: 4.0kV
- OPERATING TEMPERATURE: -40 °C TO +70 °C
- MAX. PIN TEMPERATURE: +65 °C
- APPROVALS: UL, CSA, VDE
- DUAL FUSEHOLDER, ONE ACTIVE, ONE SPARE
- FUSES NOT INCLUDED - RECOMMENDED SIZE: 5 X 20mm
- RoHS COMPLIANT

**CONTROLLED**

| Dim range (mm) | Tolerance +/- (mm) | Qualtek Electronics Corp.<br>PPC DIVISION |                |                 |
|----------------|--------------------|---|----------------|-----------------|
|                |                    | Part Number: 719W-00/02                   |                | RoHS Compliant  |
| 0-1            | 0.15               | Description: AC RECEPTACLE                |                |                 |
| 1-6            | 0.20               |   |                |                 |
| 6-18           | 0.30               |   |                |                 |
| 18-50          | 0.50               |   |                |                 |
| 50-120         | 0.70               | UNIT: mm                                  | REV. B         |                 |
| 120-250        | 0.90               | Drawn / Date                              | Checked / Date | Approved / Date |
| 250-500        | 1.20               | B.Zhang<br>01-21-03                       | 01-21-03       | JJH / 01-21-03  |