

PLEASE CHECK WWW.MOLEX.COM FOR LATEST PART INFORMATION

Part Number: **0082186008**
Status: **Active**
Description: 3.96mm (.156") Pitch Round Conductor Flat Cable - 18 AWG (7 x 26) Stranded, Tinned, 8 Circuits, Reel 30.48m (100.0') Length

Documents:

[Drawing \(PDF\)](#) [RoHS Certificate of Compliance \(PDF\)](#)

Agency Certification

CSA LR61126
 UL E61522

General

Product Family Cable
 Series 40174
 Crimp Quality Equipment Yes
 Geographic Area Asia
 Product Name Ribbon

Physical

Cable Length 30.48m (100.0')
 Circuits (Loaded) 8
 Flammability VW-1
 Insulation PVC
 Packaging Type Reel
 Pitch - Term. Interface (in) 0.156 In
 Pitch - Term. Interface (mm) 3.96 mm
 Temperature Range - Operating -20°C to +105°C
 Wire Size AWG 18
 Wire/Cable Type (7x26) Stranded, Tinned

Electrical

Current - Maximum per Contact N/A
 Voltage - Maximum 300V

Material Info

Old Part Number 40174-08-100B

Reference - Drawing Numbers

Sales Drawing SD-40174-001



EU RoHS

**ELV and RoHS
 Compliant**
REACH SVHC
 Not Reviewed
**Halogen-Free
 Status**
 Not Reviewed

China RoHS



**Need more information on product
 environmental compliance?**

Email productcompliance@molex.com
 For a multiple part number RoHS Certificate of Compliance, [click here](#)

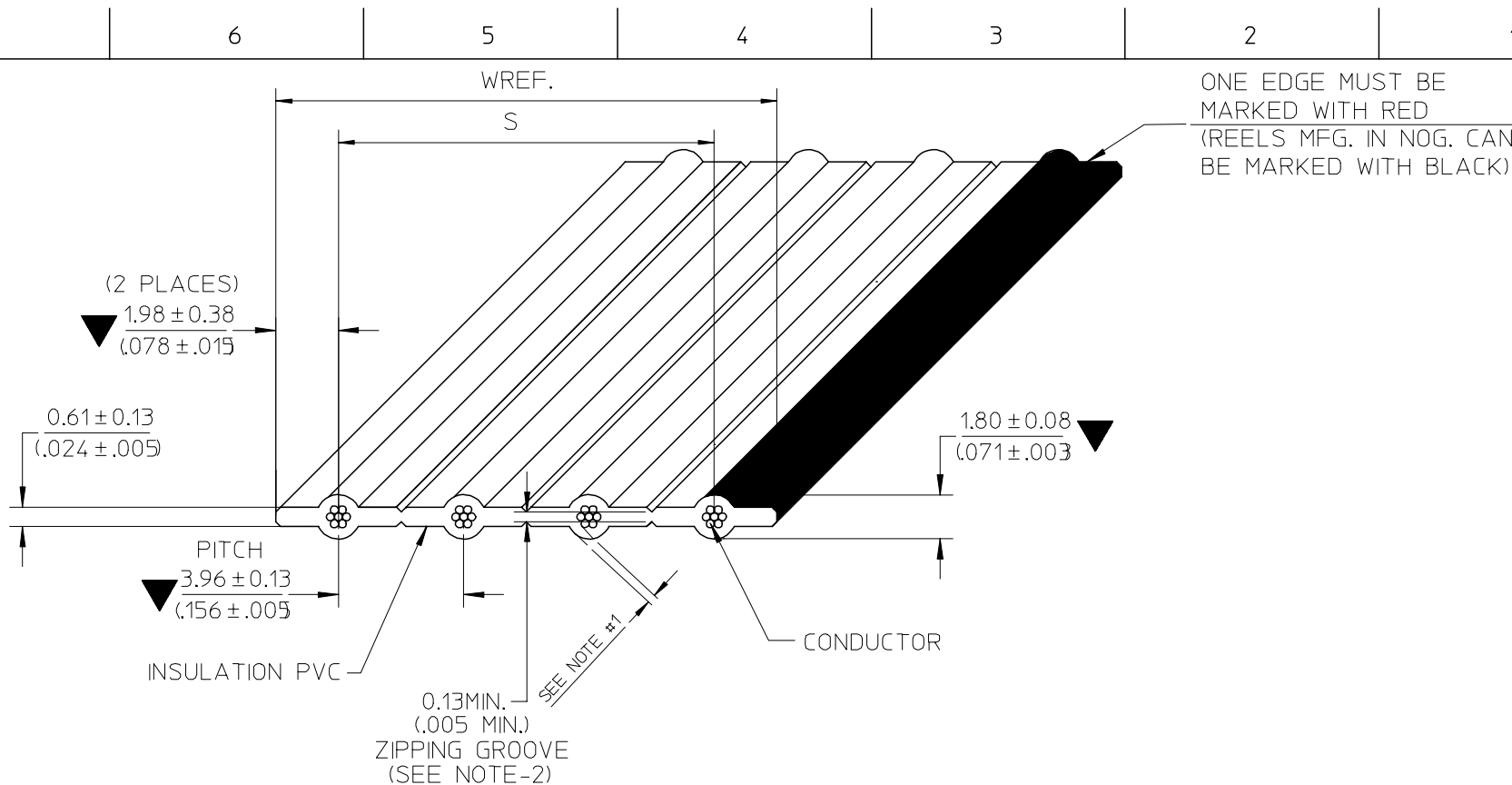
Please visit the [Contact Us](#) section for any non-product compliance questions.

Search Parts in this Series

40174Series

Use With

7674 KK® IDT Trifurcon Contact. 7675 KK® IDT Double Cantilever Contact



- NOTE :
1. THE CABLE SHALL HAVE A MINIMUM OF 0.178mm. (.007") THICKNESS INSULATION AT ANY POINT
 2. RIP TEST:
 - THE 0.13mm. (.005") ZIPPING GROOVE SHALL BE CAPABLE OF BEING RIPPED BY HAND WITHIN THE RECESS, WITHOUT EXPOSING THE ADJACENT CONDUCTORS
 3. RoHS AND LEAD FREE COMPLIANT
 4. SPECIAL REQUIREMENT: N/A

B	B-07-0748	B ₁ : ADD NON-OPERATING TEMP.	07/11/23
A	N/A	INITIAL DRAFT	06/08/09
REV. HISTORY	EC NO.	DETAIL	DATE

SEE CHANGE DETAIL.
 EC NO: THL2008-0015
 DRWN: CPANSAKHOM 2007/11/28
 CHKD: DNARINTARA 2007/11/29
 APPR: SVIRATJAPOL 2007/12/04

QUALITY SYMBOLS	DESCRIPTION
▽=3	
▽=0	

GENERAL TOLERANCES (UNLESS SPECIFIED)	
	mm INCH
4 PLACES	± --- ± ---
3 PLACES	± --- ± ---
2 PLACES	± --- ± ---
1 PLACE	± --- ± ---
ANGULAR ± --- °	
DRAFT WHERE APPLICABLE MUST REMAIN WITHIN DIMENSIONS	

DIMENSION STYLE	
MM/IN	
DRAWN BY	DATE
CPANSAKHOM	2006/08/09
CHECKED BY	DATE
PMEECHAI	2006/08/09
APPROVED BY	DATE
SVIRATJAPOL	2006/08/09
MATERIAL NO.	
SEE CHART	
SIZE	
A 4	

SCALE	DESIGN UNITS	THIRD ANGLE PROJECTION
NTS	INCH	
TITLE		
FCB ROUND CONDUCTOR 3.96MM(.156)CENTERS PVC. 18AWG STRANDED TINNED		
MOLEX INCORPORATED		
MATERIAL NO.	DOCUMENT NO.	SHEET NO.
SEE CHART	SD-40174-001	1 OF 3
THIS DRAWING CONTAINS INFORMATION THAT IS PROPRIETARY TO MOLEX INCORPORATED AND SHOULD NOT BE USED WITHOUT WRITTEN PERMISSION		

E

E

SPECIFICATIONS

PHYSICAL

CONDUCTOR SPACING ----- 3.96 (0.156") C TO C
 WIRE GAUGE ----- 18 AWG(7/26) STRANDED TINNED
 INSULATION ----- P.V.C GRAY (LEAD FREE)

AGENCY

U.L. STYLE NO. ----- 2651
 TEMPERATURE RATING ----- -20°C TO 105°C
 VOLTAGE RATING ----- 300V.MAX.
 FLAMMABILITY RATING ----- VW-1

ELECTRICAL

CONDUCTOR RESISTANCE (D.C.) ----- 7 m OHMS/FT. MAX.
 CHARACTERISTIC IMPEDANCE ----- 128 OHMS NOM. (GS)
 ----- 105 OHMS NOM. (GSG)
 CAPACITANCE ----- 5.9 pF/FT. NOM. (GS)
 ----- 10.9 pF/FT. NOM. (GSG)
 PROPAGATION DELAY ----- 1.4 ns/FT. NOM.
 INSULATION RESISTANCE ----- 10⁴M OHMS (10FT. SAMPLE)
 DIELECTRIC WITHSTAND VOLTAGE ----- 2000 VRMS/MINUTE

GENERAL

\triangle NON-OPERATING TEMPERATURE ----- -20°C TO 105°C
 FAULTS AND/OR SPLICES ----- 1/REEL MAX. 100⁺³₀FT. (30.48^{+0.914}₀ M.)/REEL
 ----- 20FT. (6.096M.) MIN. LENGTH

D

D

C

C

B

B

A

A

SEE CHANGE DETAIL. EC NO: THL2008-0015 DRWN: CPANSAKHOM 2007/11/28 CHKD: DNARINTARA 2007/11/29 APPR: SVIRATJAPOL 2007/12/04	DESCRIPTION REV	QUALITY SYMBOLS		GENERAL TOLERANCES (UNLESS SPECIFIED)		DIMENSION STYLE		SCALE	DESIGN UNITS	THIRD ANGLE PROJECTION			
						MM/IN		NTS	INCH				
		\blacktriangledown = \triangle =		mm	INCH	DRAWN BY	DATE	TITLE					
				4 PLACES	± ---	± ---	CPANSAKHOM	2006/08/09	FCB ROUND CONDUCTOR 3.96MM(.156)CENTERS PVC. 18AWG STRANDED TINNED				
				3 PLACES	± ---	± ---	CHECKED BY	DATE	MOLEX INCORPORATED				
		2 PLACES	± ---	± ---	PMEECHAI	2006/08/09	SD-40174-001						
		1 PLACE	± ---	± ---	APPROVED BY	DATE	SHEET NO.						
		ANGULAR ± ---°		SVIRATJAPOL		2006/08/09	2 OF 3						
		DRAFT WHERE APPLICABLE MUST REMAIN WITHIN DIMENSIONS				MATERIAL NO.		DOCUMENT NO.					
						SEE CHART		SD-40174-001					
						SIZE		THIS DRAWING CONTAINS INFORMATION THAT IS PROPRIETARY TO MOLEX INCORPORATED AND SHOULD NOT BE USED WITHOUT WRITTEN PERMISSION					
						A 4							

7 6 5 4 3 2 1

CHART A DIMENSIONS MM. (INCHES)				SHIPPED ON 100 FT. REELS	
ENG. NO.	NO.OF COND.	DIMENSION S	DIM. W (REF)	ENGINEERING NO.	ORDER NO.
40174- 2	2	3.96±0.13 (.156±.005)	7.92 (.312)	40174-02-100B	82-18-6002
40174- 3	3	7.92±0.25 (.312±.010)	11.89 (.468)	▲ -03- ▲	▲ 03
40174- 4	4	11.89±0.38 (.468±.015)	15.85 (.624)	-04-	04
40174- 5	5	15.85±0.38 (.624±.015)	19.81 (.780)	-05-	05
40174- 6	6	19.81±0.38 (.780±.015)	23.77 (.936)	-06-	06
40174- 7	7	23.77±0.38 (.936±.015)	27.74 (1.092)	-07-	07
40174- 8	8	27.74±0.38 (1.092±.015)	31.70 (1.248)	-08-	08
40174- 9	9	31.70±0.38 (1.248±.015)	35.66 (1.404)	-09-	09
40174-10	10	35.66±0.38 (1.404±.015)	39.62 (1.560)	-10-	10
40174-11	11	39.62±0.38 (1.560±.015)	43.59 (1.716)	-11-	11
40174-12	12	43.59±0.38 (1.716±.015)	47.55 (1.872)	-12-	12
40174-13	13	47.55±0.38 (1.872±.015)	51.51 (2.028)	-13-	13
40174-14	14	51.51±0.38 (2.028±.015)	55.47 (2.184)	-14-	14
40174-15	15	55.47±0.38 (2.184±.015)	59.44 (2.340)	-15-	15
40174-16	16	59.44±0.38 (2.340±.015)	63.40 (2.496)	▼ -16- ▼	▼ 16

ENGINEERING NO.

40174-XX-XXXX

A B C D

A : CABLE 3.96mm. (.156") CENTERS 18 AWG STRANDED TINNED

B : CONDUCTOR SIZE (AVAILABILITY 2 THROUGH 16)

C : CABLE LENGTH 100FT. (30.48M.)

D : A= INCHES

B = FEET

SEE CHANGE DETAIL EC NO: THL2008-0015 DRWN:CPANSAKHOM 2007/11/28 CHKD:DNARINTARA 2007/11/29 APPR:SVIRATJAPOL 2007/12/04	DESCRIPTION REV	QUALITY SYMBOLS	GENERAL TOLERANCES (UNLESS SPECIFIED)		DIMENSION STYLE MM/IN		SCALE NTS	DESIGN UNITS INCH	THIRD ANGLE PROJECTION		
		= =		mm	INCH	DRAWN BY CPANSAKHOM	DATE 2006/08/09	TITLE FCB ROUND CONDUCTOR 3.96MM(.156)CENTERS PVC. 18AWG STRANDED TINNED			
			4 PLACES	±----	±----	CHECKED BY PMEECHAI	DATE 2006/08/09				
			3 PLACES	±----	±----	APPROVED BY SVIRATJAPOL	DATE 2006/08/09				
		2 PLACES	±----	±----	1 PLACE	±----	±----	ANGULAR ±----°	MATERIAL NO. SEE CHART	DOCUMENT NO. SD-40174-001	SHEET NO. 3 OF 3

6 5 4 3 2 1