

PLEASE CHECK WWW.MOLEX.COM FOR LATEST PART INFORMATION

Part Number: [0351890210](#)
Status: **Active**
Description: 4.75mm (.187") Tab, MP-Lock™ Housing, 2 Circuits, 6.00mm (.236") Pitch, UL94V-2, Natural

Documents:

[3D Model](#) [Product Specification PS-35189-001 \(PDF\)](#)
[Drawing \(PDF\)](#) [RoHS Certificate of Compliance \(PDF\)](#)

Agency Certification

CSA LR95446
 UL E29179

General

Product Family Crimp Housings
 Series [35189](#)
 Comments Polarized to Mating Part
 Product Name MP-Lock™

Physical

Breakaway No
 Circuits (maximum) 2
 Flammability 94V-2
 Gender Female
 Glow-Wire Compliant No
 Keying to Mating Part None
 Lock to Mating Part None
 Number of Rows 2
 Packaging Type Bag
 Panel Mount No
 Pitch - Mating Interface (in) 0.236 In
 Pitch - Mating Interface (mm) 6.00 mm
 Polarized to Mating Part Yes
 Stackable No
 Temperature Range - Operating -40°C to +105°C

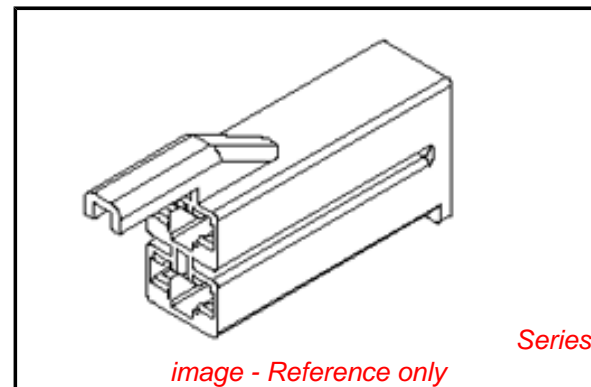
Electrical

Current - Maximum per Contact 12A

Material Info

Reference - Drawing Numbers

Product Specification PS-35189-001, RPS-35068-001
 Sales Drawing SD-35189-0210



EU RoHS

ELV and RoHS Compliant
REACH SVHC Contains SVHC: No
Halogen-Free Status

China RoHS



Need more information on product environmental compliance?

Email productcompliance@molex.com
 For a multiple part number RoHS Certificate of Compliance, [click here](#)

Please visit the [Contact Us](#) section for any non-product compliance questions.

Search Parts in this Series

[35189Series](#)

Mates With

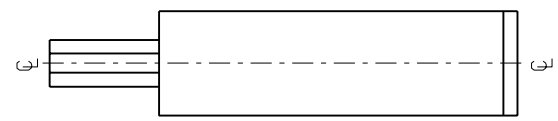
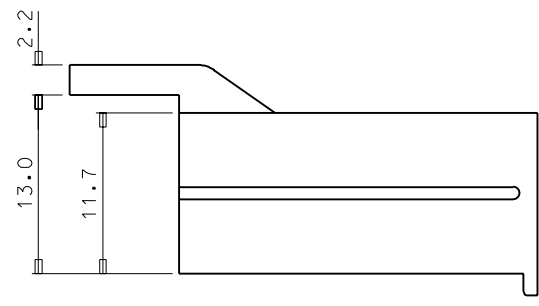
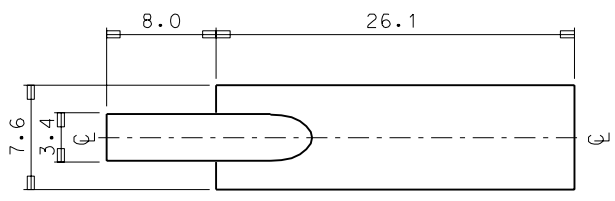
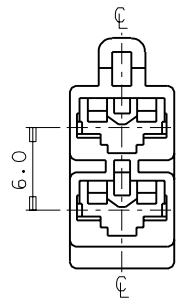
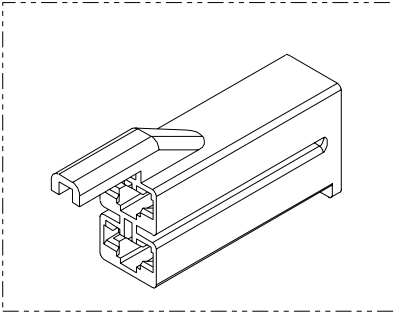
Appliance Timer|Temperature Switch|
 Appliance Capacitor|Appliance Heater

Use With

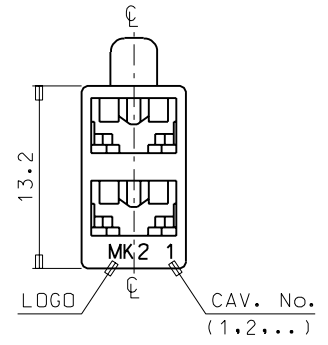
[35068](#) MP-Lock™ Quick Disconnect

PROJECT NO. SD 35189-021*
 .187 MP-LOCK CONN'
 SIMILAR ITEM
 EDP NO.

8 7 6 5 4 3 2 1



- NOTES
- MATERIAL : NYLON
 35189-0210 (UL94V-2)
 35189-0211 (UL94V-0)
 - COLOR : NATURAL
 - APPLICABLE TERMINAL : 35068-9**2



				MATERIAL SEE NOTES		MOLEX-KOREA CO.,LTD.	
				GENERAL TOLERANCE		DRAWN BY J.S.KANG	
				DIMENSION : ±0.3		CHK'D BY	
				ANGLE : \pm		APP'D BY	
B	REVISED	96-137	96-12-24	DIMENSION CLASSIFICATION		SCALE 3/1	
A	NEW RELEASED		96-4-17	▽ : CRITICAL ▼ : MAJOR () : REFERENCE		TITLE :	
LTR	REVISION RECORD	ECN	DATE	ASS'Y PART		.187 MP-LOCK HSG-2P	
				DESCRIPTION		6mm PITCH(POLARIZED)	
				ENG. NO.		SHEET 1 of 1	
REVISE ONLY ON CAD SYSTEM				---		ENG. NO. SD 35189-021*	
						REV B	