



10/100 BASE-T TRANSFORMER

P/N: 24STS12 DATA SHEET

Feature



- Support 10Mbps and 100 Mbps VoIP applications.
- Compliant with IEEE 802.3 standards.
- Designed to meet 350mA balanced DC line current.
- Operating temperature range: 0 to +70 .
- Storage temperature range: -25 to +125 .

Electrical Specifications @ 25°C

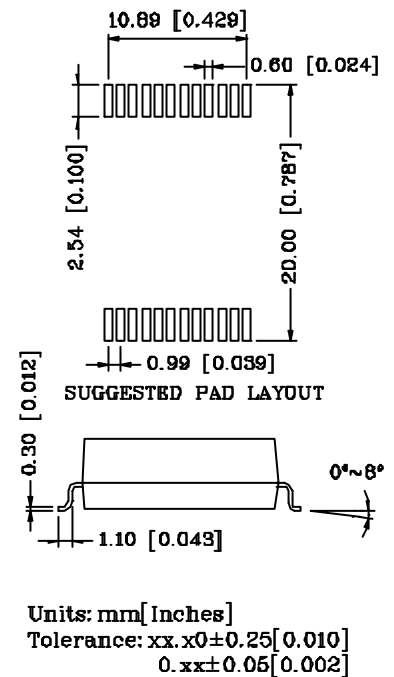
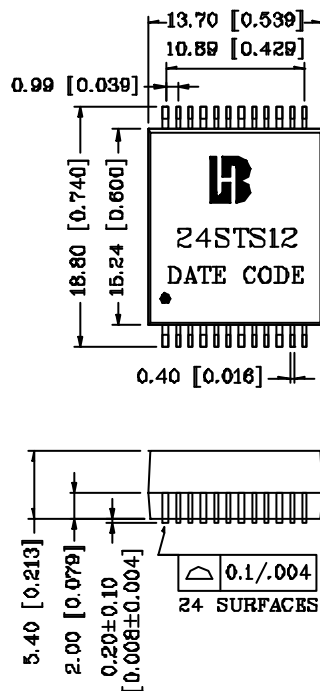
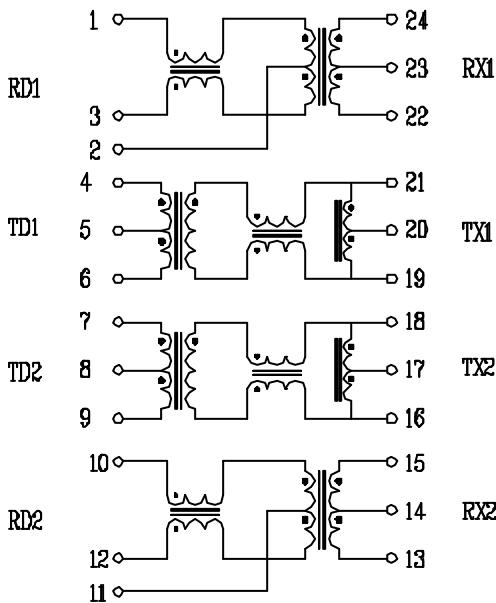
Part Number	Turns Ratio (±3%)		OCL (uH Min) @100KHz/0.1Vrms with 8mA/ DC Bias	L.L (uH Max)	C _{ww} (pF Max)	DCR (Ω Max)	HI-POT (Vrms)
	TX	RX					
24STS12	1CT:1	1CT:1CT	350	0.4	28	1.3	1500

Continue

Part Number	Insertion Loss (dB Max.)		Return Loss (dB Min)		Cross talk (dB Min)		CMR (dB Min)		DCMR (dB Min)	
	0.1-100MHz	2-30MHz	60-80MHz	0.3-60MHz	60-100MHz	0.3-60MHz	60-100MHz	0.3-60MHz	60-100MHz	
24STS12	-1.5	-16	-10	-40	-35	-38	-33	-38	-33	

Schematic

Mechanical



Units: mm [Inches]
 Tolerance: xx.x0±0.25 [0.010]
 0.xx±0.05 [0.002]