

**PLEASE CHECK WWW.MOLEX.COM FOR LATEST PART INFORMATION**

**Part Number:** [0878345045](#)  
**Status:** **Active**  
**Overview:** [cgrid\\_sl\\_products](#)  
**Description:** 2.54mm (.100") Pitch C-Grid® Header, Dual Row, Low Profile, Vertical, Through Hole, Shrouded, Lead-free, 50 Circuits, 0.13µm (5µ) Gold (Au) Selective Plating, Black, Center Polarization Slot, with Press-fit Locating Plastic Pegs

**Documents:**

[3D Model](#) [Product Specification PS-70246-100 \(PDF\)](#)  
[Drawing \(PDF\)](#) [RoHS Certificate of Compliance \(PDF\)](#)

**General**

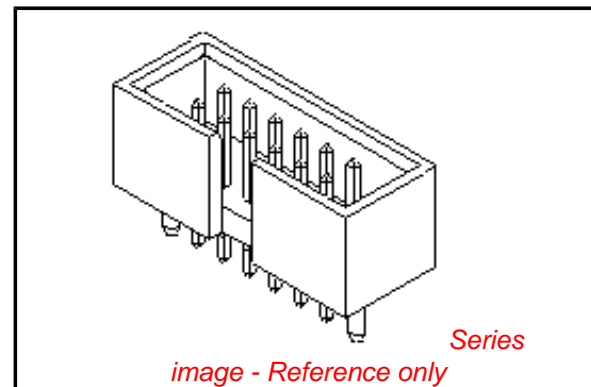
Product Family	PCB Headers
Series	87834
Application	Wire-to-Board
Overview	<a href="#">cgrid_sl_products</a>
Product Name	C-Grid®

**Physical**

Breakaway	No
Circuits (Loaded)	50
Circuits (maximum)	50
Color - Resin	Black
First Mate / Last Break	No
Glow-Wire Compliant	No
Guide to Mating Part	No
Keying to Mating Part	None
Lock to Mating Part	None
Material - Plating Mating	Gold
Material - Plating Termination	Tin
Material - Resin	Polyester
Number of Rows	2
Orientation	Vertical
PC Tail Length (in)	0.135 In
PC Tail Length (mm)	3.43 mm
PCB Locator	Yes
PCB Retention	Yes
Packaging Type	Tray
Pitch - Mating Interface (in)	0.100 In
Pitch - Mating Interface (mm)	2.54 mm
Pitch - Term. Interface (in)	0.100 In
Pitch - Term. Interface (mm)	2.54 mm
Plating min: Mating (µin)	5.2
Plating min: Mating (µm)	0.13
Plating min: Termination (µin)	75.2
Plating min: Termination (µm)	1.88
Polarized to Mating Part	Center Slot
Polarized to PCB	Yes
Shrouded	Fully
Stackable	No
Temperature Range - Operating	-55°C to +120°C
Termination Interface: Style	Through Hole

**Electrical**

Current - Maximum per Contact	2.5A
Voltage - Maximum	250V DC



**EU RoHS**

**ELV and RoHS Compliant**  
**REACH SVHC Contains SVHC: No**  
**Halogen-Free Status**

**China RoHS**



**Not Reviewed**

**Need more information on product environmental compliance?**

Email [productcompliance@molex.com](mailto:productcompliance@molex.com)  
 For a multiple part number RoHS Certificate of Compliance, [click here](#)

Please visit the [Contact Us](#) section for any non-product compliance questions.

**Search Parts in this Series**

[87834Series](#)

**Mates With**

.050" pitch ribbon cable connectors

**Material Info**

**Reference - Drawing Numbers**

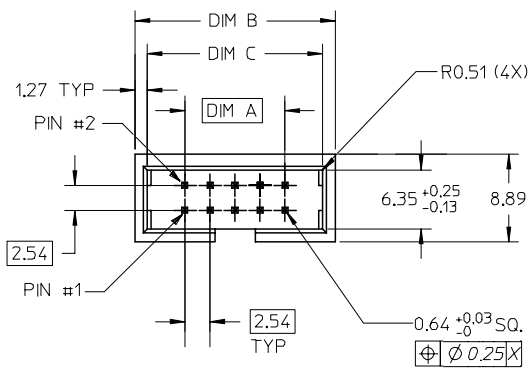
Packaging Specification  
Product Specification  
Sales Drawing

PK-87835-001  
PS-70246-100  
SD-87834-020

This document was generated on 05/25/2010

**PLEASE CHECK [WWW.MOLEX.COM](http://WWW.MOLEX.COM) FOR LATEST PART INFORMATION**

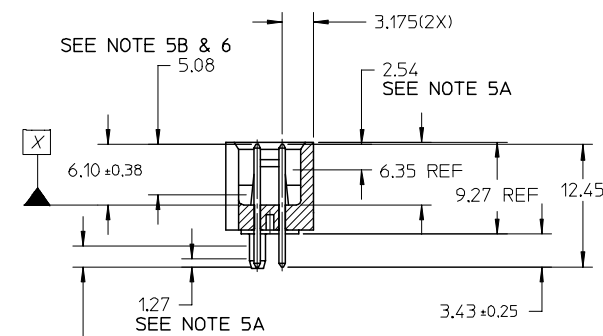
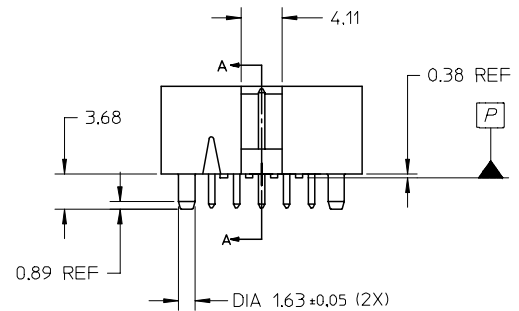
10 9 8 7 6 5 4 3 2 1



PART NUMBER LEGEND

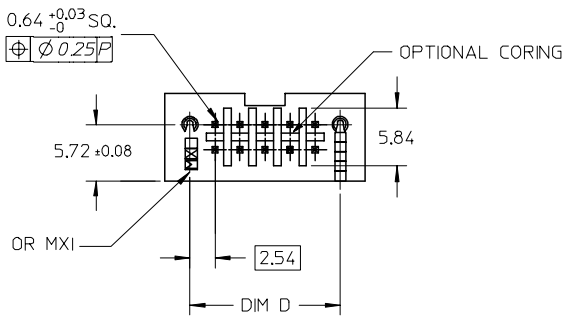
87834 - \* \* \* 4 5  
 CKT SIZES

PART NUMBERS	CKT SIZE	DIM A	DIM B	DIM C	DIM D
87834-0445	04	2.54	12.70	10.16	7.62
87834-0645	06	5.08	15.24	12.70	10.16
87834-0845	08	7.62	17.78	15.24	12.70
87834-1045	10	10.16	20.32	17.78	15.24
87834-1245	12	12.70	22.86	20.32	17.78
87834-1445	14	15.24	25.40	22.86	20.32
87834-1645	16	17.78	27.94	25.40	22.86
87834-1845	18	20.32	30.48	27.94	25.40
87834-2045	20	22.86	33.02	30.48	27.94
87834-2445	24	27.94	38.10	35.56	33.02
87834-2645	26	30.48	40.64	38.10	35.56
87834-3045	30	35.56	45.72	43.18	40.64
87834-3445	34	40.64	50.80	48.26	45.72
87834-4045	40	48.26	58.42	55.88	53.34
87834-4445	44	53.34	63.50	60.96	58.42
87834-5045	50	60.96	71.12	68.58	66.04
87834-5645	56	68.58	78.74	76.20	73.66
87834-6045	60	73.66	83.82	81.28	78.74
87834-6445	64	78.74	88.90	86.36	83.82
87834-7245	72	88.90	99.06	96.52	93.98

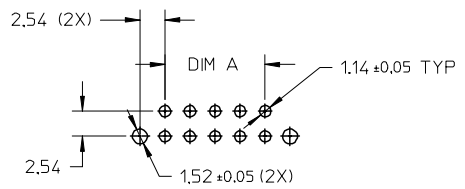


NOTES :

- MATERIAL :  
 HOUSING : POLYESTER (PBT), 94V-0, COLOUR: BLACK,  
 PIN : COPPER ALLOY.
- PIN PUSHOUT FORCE 0.91 KG MIN.
- PRODUCT SPECIFICATION PS-70246-100 APPLIES.
- WAFER TO BE FLAT WITHIN 0.03MM/CM
- DIMENSIONS FOR PLATING LOCATIONS : A - MEASURE POINT FOR THICKNESS,  
 B - MINIMUM COVERAGE.
- GOLD END OF PIN UNLESS OVERALL PLATED.
- FINISH :  
 0.13um MIN GOLD IN SELECTED AREA,  
 AND 1.91um MIN TIN IN SELECTED AREA,  
 BOTH OVER 1.27um MIN NICKEL OVERALL.
- FOR ILLUSTRATION PURPOSE A 10 CKT IS SHOWN.
- WEEK/YEAR STAMP NOT REQUIRED BY CUSTOMER.



SECTION A-A



RECOMMENDED PCB PATTERN

<b>ADD MATERIAL NOTE</b> EC NO: S2005-0319 DRAWN:ATSEE 2004/12/08 CHKD:SHONG 2004/12/09 APPR:SKTOH 2004/12/13	<b>QUALITY SYMBOLS</b> 	<b>GENERAL TOLERANCES (UNLESS SPECIFIED)</b>		<b>DIMENSION STYLE</b> MM ONLY	<b>SCALE</b> NTS	<b>DESIGN UNITS</b> METRIC	THIRD ANGLE PROJECTION		
		4 PLACES ± --- ± --- 3 PLACES ± --- ± --- 2 PLACES ± 0.20 ± --- 1 PLACE ± --- ± ---	mm INCH	DRAWN BY RSHAN	DATE 2003/11/20	<b>TITLE</b> C-GRID, SHROUDED WAFER SLOTTED, WITH IN-LINE POLARIZATION PEG			
		ANGULAR ± 3 °	APPROVED BY SKTOH	DATE 2003/12/06	<b>MOLEX INCORPORATED</b>				
		<b>DRAFT WHERE APPLICABLE MUST REMAIN WITHIN DIMENSIONS</b>	MATERIAL NO. SEE TABLE	DOCUMENT NO. SD-87834-020	SHEET NO. 1 OF 1				

9 8 7 6 5 4 3 2 1