

PLEASE CHECK WWW.MOLEX.COM FOR LATEST PART INFORMATION

Part Number: [0194270032](#)
Status: **Active**
Description: 5.84mm (.230") Pitch MX150L™ Right Angle PCB Header, Dual Row, without PCB Flange, 4 Circuits

Documents:

[3D Model](#) [Product Specification PS-19427-001 \(PDF\)](#)
[Drawing \(PDF\)](#) [RoHS Certificate of Compliance \(PDF\)](#)

Agency Certification

UL E152602

General

Product Family PCB Headers
 Series [19427](#)
 Application Wire-to-Board
 Comments without PCB Flange
 Product Literature Order No 987650-2181
 Product Name MX150L™

Physical

Breakaway No
 Circuits (Loaded) 4
 Circuits (maximum) 4
 Durability (mating cycles max) 25
 Flammability 94V-0
 Glow-Wire Compliant No
 Lock to Mating Part Yes
 Material - Plating Mating Tin
 Material - Plating Termination Tin
 Number of Rows 2
 Orientation Right Angle
 PC Tail Length (in) 0.130 In
 PC Tail Length (mm) 3.30 mm
 PCB Locator Yes
 PCB Retention None
 PCB Thickness Recommended (in) 0.062 In
 PCB Thickness Recommended (mm) 1.60 mm
 Packaging Type Tray
 Pitch - Mating Interface (in) 0.230 In
 Pitch - Mating Interface (mm) 5.84 mm
 Polarized to Mating Part Yes
 Polarized to PCB No
 Shrouded Fully
 Stackable No
 Surface Mount Compatible (SMC) No
 Temperature Range - Operating -40°C to +125°C
 Termination Interface: Style Through Hole

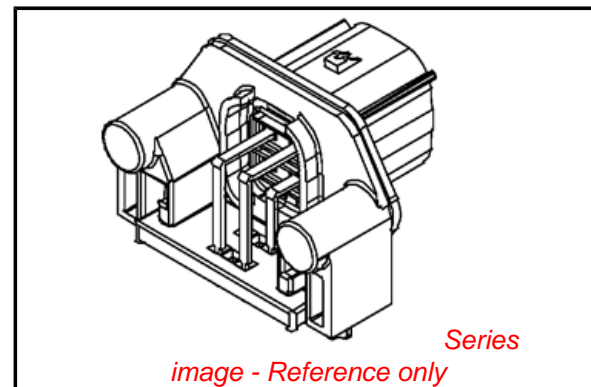
Electrical

Current - Maximum per Contact 18A
 Voltage - Maximum 600V

Material Info

Reference - Drawing Numbers

Product Specification PS-19427-001



EU RoHS

ELV and RoHS Compliant
REACH SVHC
 Not Reviewed
Halogen-Free Status
 Not Reviewed

China RoHS



Need more information on product environmental compliance?

Email productcompliance@molex.com
 For a multiple part number RoHS Certificate of Compliance, [click here](#)

Please visit the [Contact Us](#) section for any non-product compliance questions.

Search Parts in this Series

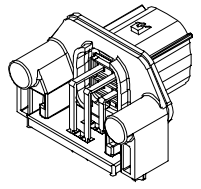
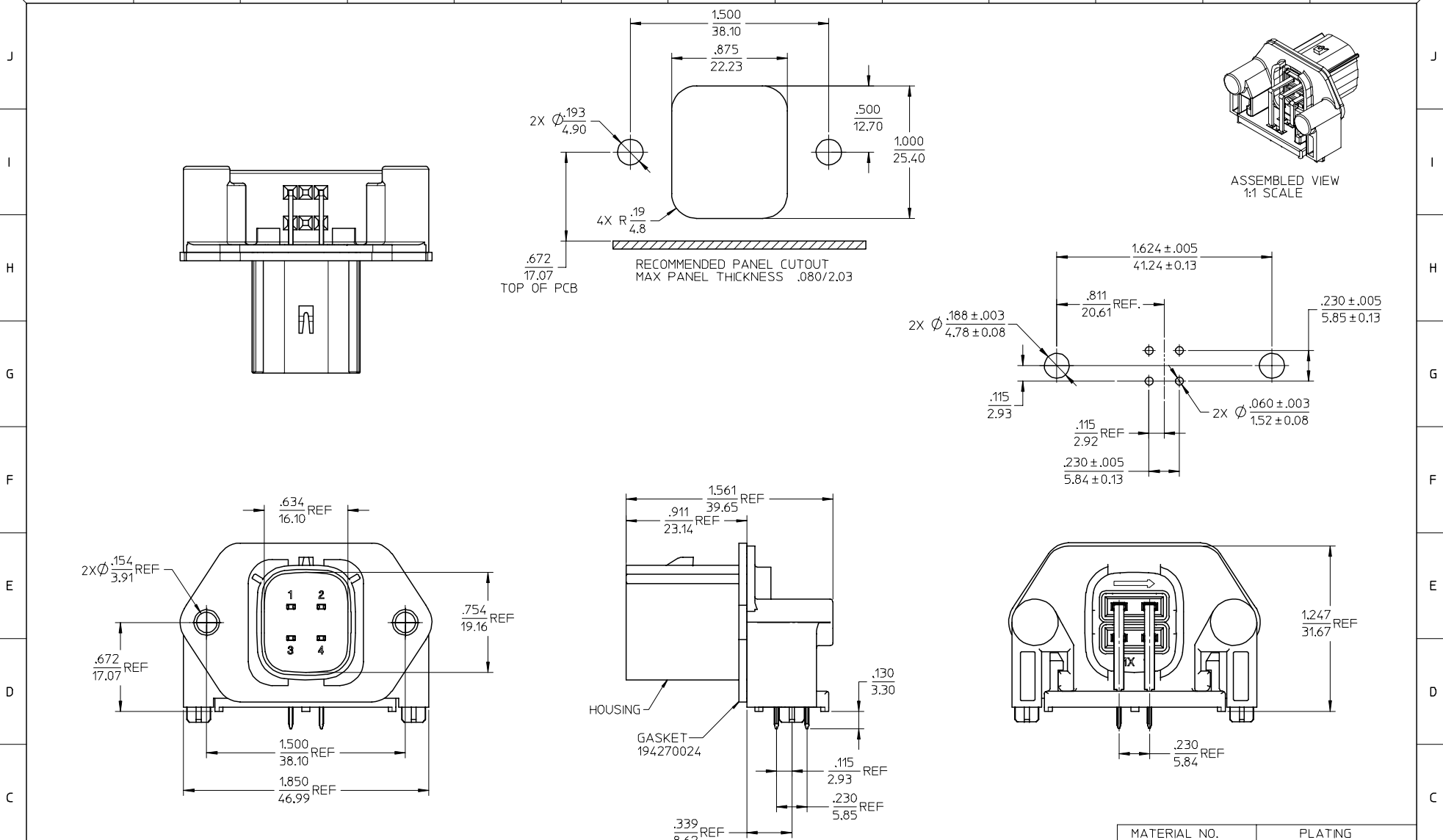
[19427Series](#)

Mates With

[19418 Receptacle Assemblies](#)

This document was generated on 04/05/2010

PLEASE CHECK WWW.MOLEX.COM FOR LATEST PART INFORMATION



ASSEMBLED VIEW
1:1 SCALE

- NOTES:
- MATERIALS:
HOUSING: POLYESTER (PBT), GLASS FILLED, UL94 V-0,
COLOR: BLACK
TERMINALS: COPPER ALLOY
 - FINISHES: 1. TIN ONLY: 100µN TIN OVER 50µN NICKEL
2. TIN/GOLD: 30µN SELECT GOLD (CONTACT MATING AREA),
100µN SELECT TIN (PCB TAIL AREA) OVER 50µN NICKEL OVERALL.
 - PRODUCT SPECIFICATION: PS-19427-001.
 - PACKAGING SPECIFICATION: PK-19427-001.
 - MATES WITH: 19418 SERIES RECEPTACLE ASSEMBLIES.
 - RECOMMENDED MOUNTING HARDWARE: (2) #10 X .62/18.9 LONG PLASTIC
THREAD CUTTING SCREWS. RECOMMENDED TORQUE 15-17 IN-LBS.
SUGGESTED SOURCE: ITW SHAKEPROOF INDUSTRIAL BOSSCREW OR EQUIVALENT.

REVISED EFC NO: ETC2006-0028 2005/10/10 DRAWN: JPAWL CK 2005/10/11 CHKD: JPAWL CK 2005/10/11 APPR: RDEROSS 2005/10/11	DESCRIPTION	QUALITY SYMBOLS =0 =0	GENERAL TOLERANCES (UNLESS SPECIFIED)		DIMENSION STYLE IN/MM		MATERIAL NO.	PLATING	
			4 PLACES ± --- ± ---	3 PLACES ± --- ± .015	2 PLACES ± 0.38 ± ---	1 PLACE ± --- ± ---	ANGULAR ± 1 °	DRAWN BY JLOMASTR DATE 04/07/07	CHECKED BY JPAWL CK DATE 04/07/09
DRAFT WHERE APPLICABLE MUST REMAIN WITHIN DIMENSIONS			SCALE 2:1		DESIGN UNITS INCH		THIRD ANGLE PROJECTION		
SEE CHART			MATERIAL NO. SD-19427-020		DOCUMENT NO. SD-19427-020		SHEET NO. 1 OF 1		
THIS DRAWING CONTAINS INFORMATION THAT IS PROPRIETARY TO MOLEX INCORPORATED AND SHOULD NOT BE USED WITHOUT WRITTEN PERMISSION									