

PLEASE CHECK WWW.MOLEX.COM FOR LATEST PART INFORMATION

Part Number: [5031820852](#)
Status: **Active**
Description: 1.10mm (.043") Pitch microSD Memory Card Connector, Normal Mount SMT, Push-Push Type, 1.45mm (.057") Height, Anti-card fly-out

Documents:

[3D Model](#) [Product Specification PS-503182-002 \(PDF\)](#)
[Drawing \(PDF\)](#) [RoHS Certificate of Compliance \(PDF\)](#)

General

| | |
|----------------|-------------------------|
| Product Family | Memory Card Sockets |
| Series | 503182 |
| Button Type | Push-Push |
| Comments | Anti-card fly-out |
| Component Type | Header & Ejector (Host) |
| Product Name | microSD Card |
| Type | N/A |

Physical

| | |
|--------------------------------|---------------------------|
| Card Detection Switch | Yes |
| Circuits (Loaded) | 8 |
| Durability (mating cycles max) | 10,000 |
| Ejector Button Side | No Ejector Button Present |
| Entry Angle | 90° Angle |
| Keying to Mating Part | Yes |
| Material - Plating Mating | Gold |
| Material - Plating Termination | Gold, Tin |
| PCB Locator | No |
| PCB Mounting Side | Normal |
| PCB Retention | Yes |
| Packaging Type | Embossed Tape on Reel |
| Pitch - Mating Interface (in) | 0.043 In |
| Pitch - Mating Interface (mm) | 1.10 mm |
| Ports | 1 |
| Temperature Range - Operating | -25°C to +85°C |
| Termination Interface: Style | Surface Mount |

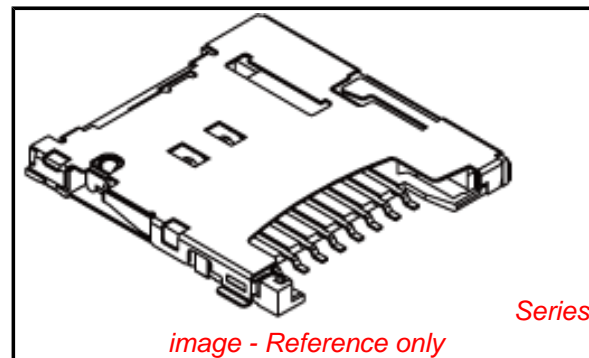
Electrical

| | |
|-------------------------------|-----------------|
| Current - Maximum per Contact | 0.5A |
| Shielded | Yes |
| Voltage - Maximum | 10V AC (RMS)/DC |

Material Info

Reference - Drawing Numbers

| | |
|-----------------------|--|
| Product Specification | PS-503182-002, RPS-503182-010, RPS-503182-012, RPS-503182-013 |
| Sales Drawing | SD-503182-003, SD-503182-004 |



EU RoHS

**ELV and RoHS
Compliant**
REACH SVHC
 Not Reviewed
**Halogen-Free
Status**
 Not Reviewed

China RoHS



**Need more information on product
environmental compliance?**

Email productcompliance@molex.com
 For a multiple part number RoHS Certificate of
 Compliance, [click here](#)

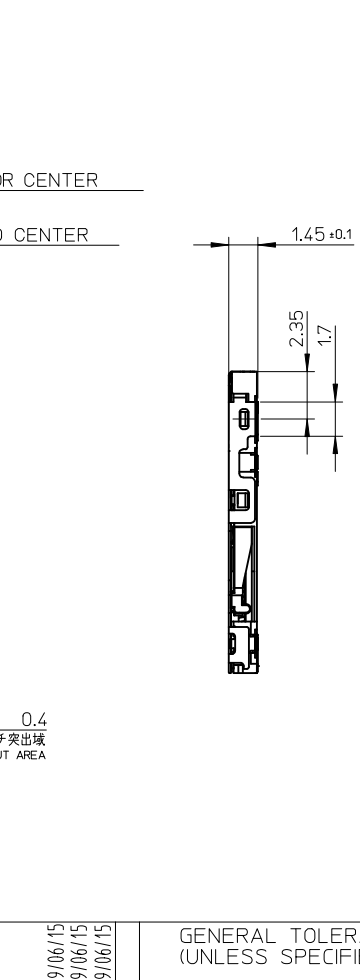
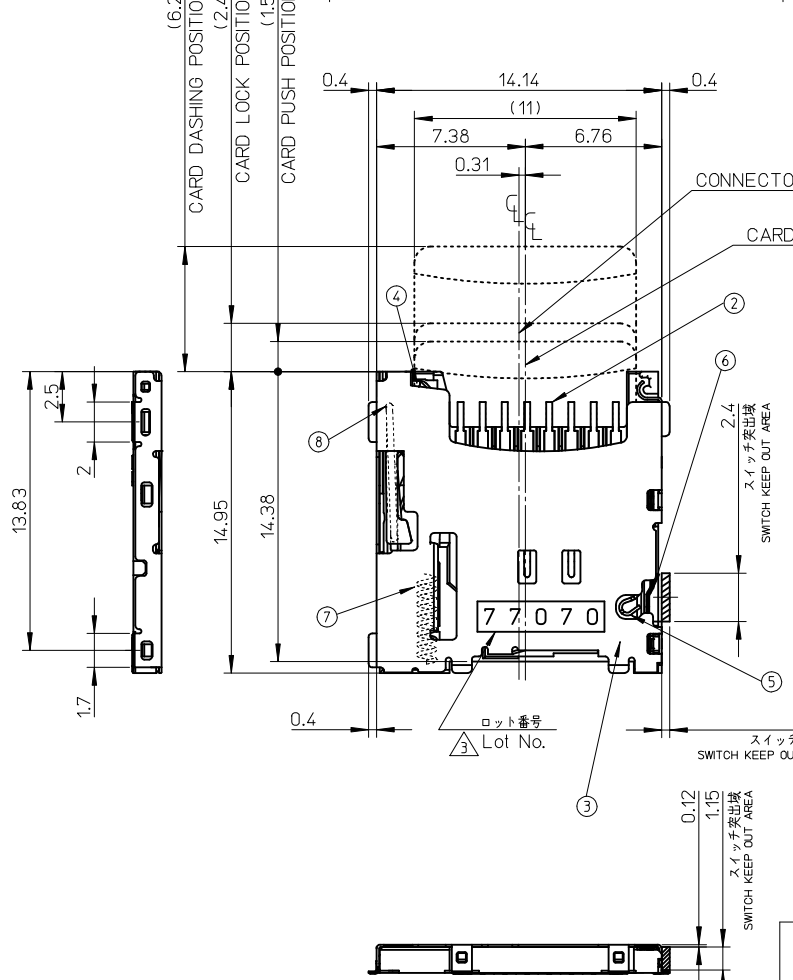
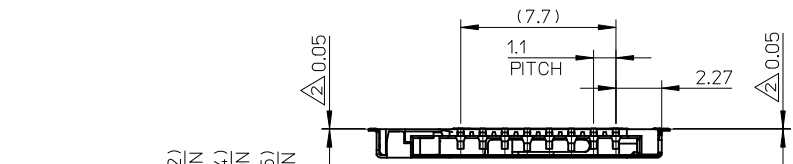
Please visit the [Contact Us](#) section for any
 non-product compliance questions.

Search Parts in this Series

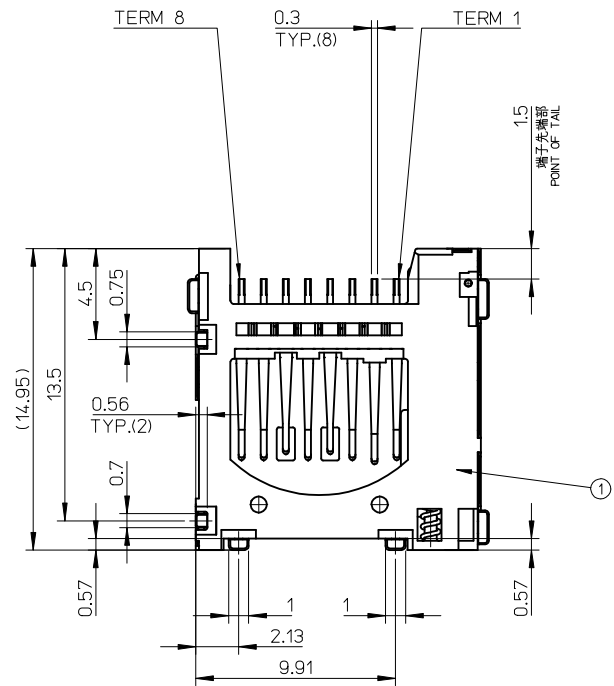
[503182Series](#)

Use With

microSD Card



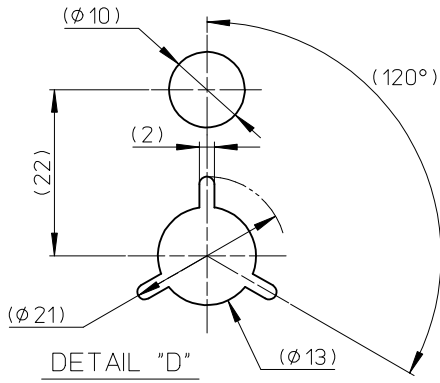
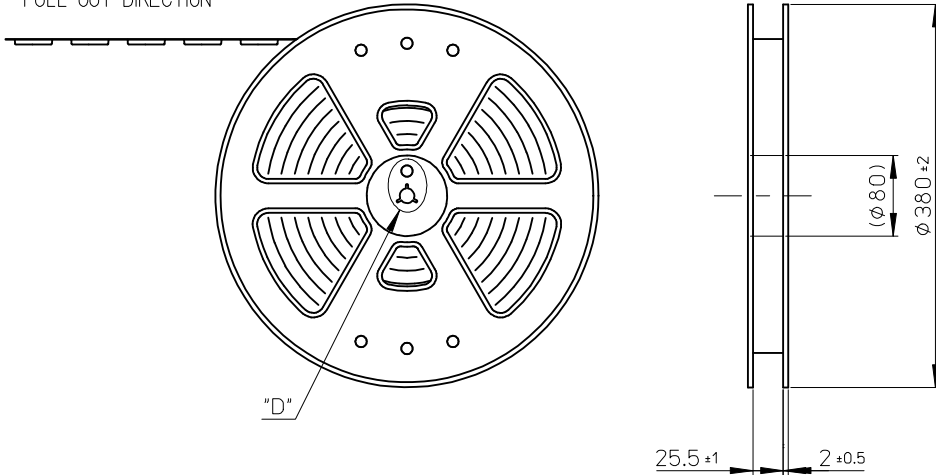
- TERM 1: DATA2
- TERM 2: CD/DAT3
- TERM 3: CMD
- TERM 4: vdd
- TERM 5: CLK
- TERM 6: vss
- TERM 7: DAT0
- TERM 8: DAT1



| | | |
|------------------|--------------|-------------|
| 503182-0852 | 503182-0842 | 503182-08** |
| EMBOSSED TAPE | MATERIAL NO. | MODEL NO. |
| ORDER No. オーダー番号 | | |

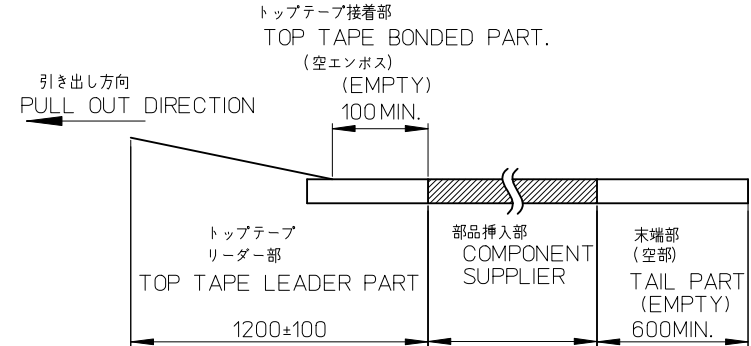
| | | | | | | |
|---|---------------------------------------|------------------------------------|------------------------------------|---------------------------------|--------------|--|
| RELEASED EC NO: J2009-2810 DRWN:YNAITO 2009/06/15 CHKD:MTOMITA 2009/06/15 APPR:MSASAO 2009/06/15 | GENERAL TOLERANCES (UNLESS SPECIFIED) | | DIMENSION STYLE | SCALE | DESIGN UNITS | THIRD ANGLE PROJECTION |
| | 10 UNDER ±0.2 | | MM ONLY | 4:1 | METRIC | |
| | 10 OVER 30 UNDER ±0.25 | | 30 OVER ±0.3 | DRAWN BY YNAITO DATE 2009/06/01 | | TITLE MICRO SD CONN. NORMAL ULTRA LOW-PROFILE ASSY |
| | ANGULAR ±1 ° | | CHECKED BY MTOMITA DATE 2009/06/01 | | | |
| DRAFT WHERE APPLICABLE MUST REMAIN WITHIN DIMENSIONS | | APPROVED BY MSASAO DATE 2009/06/01 | | MOLEX INCORPORATED | | SHEET NO. 1 OF 2 |
| MATERIAL NO. SEE CHART | | MATERIAL NO. SEE CHART | | DOCUMENT NO. SD-503182-003 | | |
| THIS DRAWING CONTAINS INFORMATION THAT IS PROPRIETARY TO MOLEX INCORPORATED AND SHOULD NOT BE USED WITHOUT WRITTEN PERMISSION | | | | | | |

引き出し方向
PULL OUT DIRECTION



NOTES

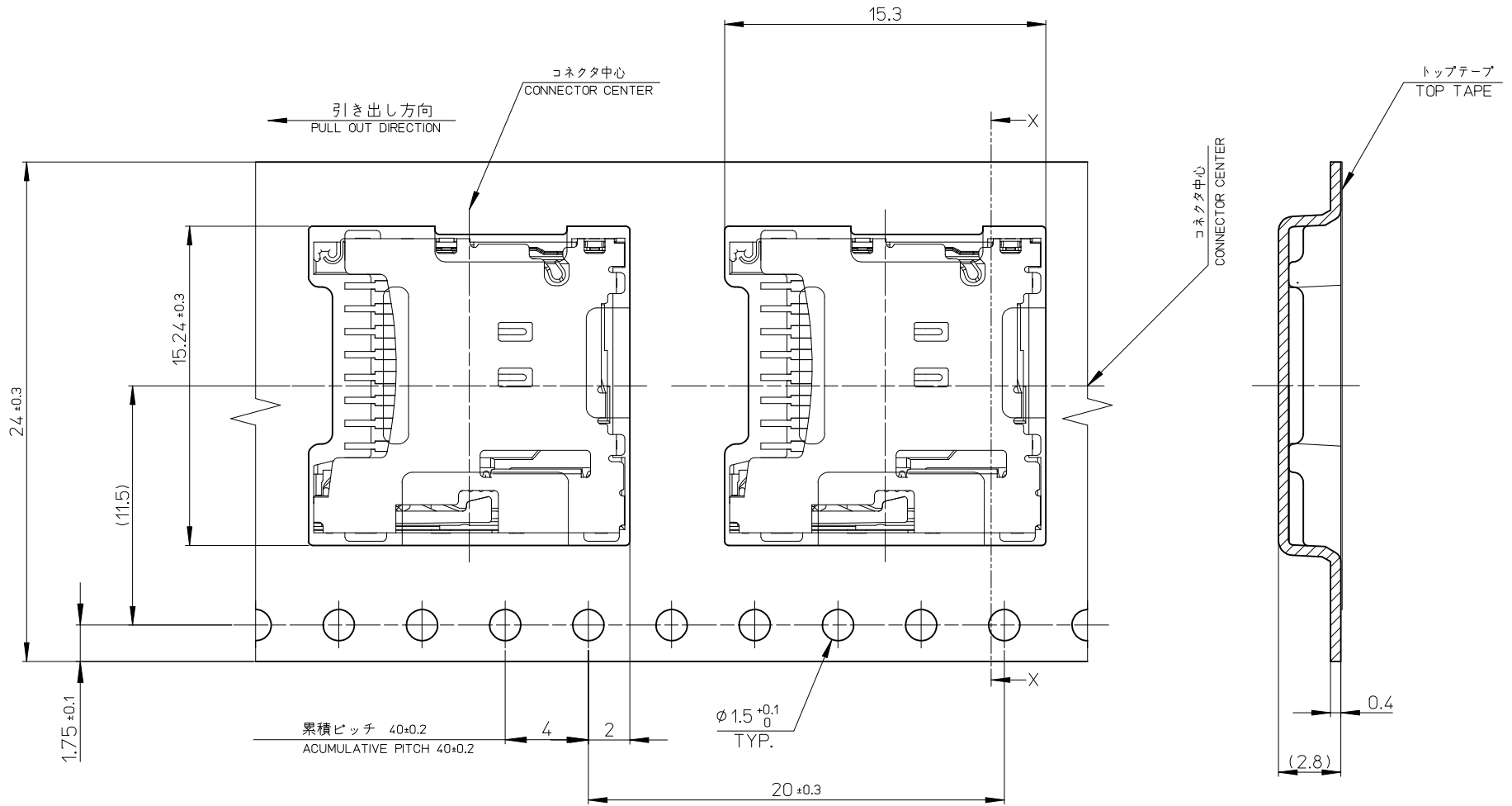
- 製品詳細寸法は製品単体図面を参照して下さい。
FOR DETAIL OF CONNECTOR DIMENSIONS, PLEASE SEE THE DRAWING OF CONNECTOR ITSELF (NOT PACKAGED).
- 梱包数量: 1600個/リール
NUMBER OF CONNECTORS: 1600 PCS/REEL.
- リードテープ長さ LEAD TAPE LENGTH.



- 材料 MATERIAL
キャリアテープ(CARRIER TAPE): ポリスチレン (POLYSTYRENE)
トップテープ(TOP TAPE): PET, PE, PEF
リール(REEL): ポリスチレン(PS)<リサイクル材含む>
POLYSTYRENE (PS)<RECYCLE MATERIAL CONTAINED>
- ELV AND RoHS COMPLIANT

| | | |
|----------------|--------------|-------------|
| 503182-0842 | 503182-0852 | 503182-08** |
| CONNECTOR ONLY | MATERIAL NO. | MODEL NO. |
| ORDER No. | オーダー番号 | MODEL NO. |

| | | | | | | | | | |
|--|-----------------------|--|-------|----------------------------|---|---|------------------------|------------------------|--|
| RELEASED EC NO.: J2009-2810 DRWN: YNAITO 2009/06/15 CHKD: MTOMITA 2009/06/15 APPR: MSASAO 2009/06/15 | DESCRIPTION REV: A | GENERAL TOLERANCES (UNLESS SPECIFIED) | | DIMENSION STYLE MM ONLY | | SCALE --- | DESIGN UNITS METRIC | THIRD ANGLE PROJECTION | |
| | | 10 UNDER | ±0.2 | DRAWN BY YNAITO | DATE 2009/06/01 | TITLE MICRO SD CONN. ULTRA LOW-PRO EMBOSSED TAPE PACKAGE | | | |
| | | 10 OVER 30 UNDER | ±0.25 | CHECKED BY MTOMITA | DATE 2009/06/01 | MOLEX INCORPORATED | | | |
| | | 30 OVER | ±0.3 | APPROVED BY MSASAO | DATE 2009/06/01 | DOCUMENT NO. SD-503182-004 | | | |
| ANGULAR ±1 ° | | DRAFT WHERE APPLICABLE MUST REMAIN WITHIN DIMENSIONS | | MATERIAL NO. SEE CHART | | SHEET NO. 1 OF 2 | | | |
| | | | | SIZE A3 | THIS DRAWING CONTAINS INFORMATION THAT IS PROPRIETARY TO MOLEX INCORPORATED AND SHOULD NOT BE USED WITHOUT WRITTEN PERMISSION | | | | |



SECTION. X-X

| | | | | | | | | | |
|--|---------------------------------------|--|-----------------------------------|--|--|-------------------------------|-------------------------------|---------------------|--|
| SEE SHEET 1 OF 2 EC NO: J2009-2810 DRWN:YNAITO 2009/06/15 CHKD:MTOMITA 2009/06/15 APPR:MSASAO 2009/06/15 | GENERAL TOLERANCES (UNLESS SPECIFIED) | | DIMENSION STYLE MM ONLY | | SCALE 5:1 | DESIGN UNITS METRIC | THIRD ANGLE PROJECTION | | |
| | 10 UNDER | ±0.2 | DRAWN BY YNAITO | DATE 2009/06/01 | TITLE MICRO SD CONN. ULTRA LOW-PRO EMBOSSED TAPE PACKAGE | | | | |
| | 10 OVER 30 UNDER | ±0.25 | CHECKED BY MTOMITA | DATE 2009/06/01 | MOLEX INCORPORATED | | | | |
| | 30 OVER | ±0.3 | APPROVED BY MSASAO | DATE 2009/06/01 | MATERIAL NO. SEE SHEET 1 OF 2 | | DOCUMENT NO. SD-503182-004 | SHEET NO. 2 OF 2 | |
| ANGULAR ±1 ° | | DRAFT WHERE APPLICABLE MUST REMAIN WITHIN DIMENSIONS | | THIS DRAWING CONTAINS INFORMATION THAT IS PROPRIETARY TO MOLEX INCORPORATED AND SHOULD NOT BE USED WITHOUT WRITTEN PERMISSION | | | | | |