

**PLEASE CHECK WWW.MOLEX.COM FOR LATEST PART INFORMATION**

**Part Number:** [0878343492](#)  
**Status:** **Active**  
**Overview:** [cgrid\\_sl\\_products](#)  
**Description:** 2.54mm (.100") Pitch C-Grid® Header, Dual Row, Low Profile, Vertical, Shrouded, Lead-free, 34 Circuits, 0.13µm (5µ") Gold (Au) Plating, End Windows, with Pin 5 Voided

**Documents:**

[3D Model](#) [Product Specification PS-70246-100 \(PDF\)](#)  
[Drawing \(PDF\)](#) [RoHS Certificate of Compliance \(PDF\)](#)

**Agency Certification**

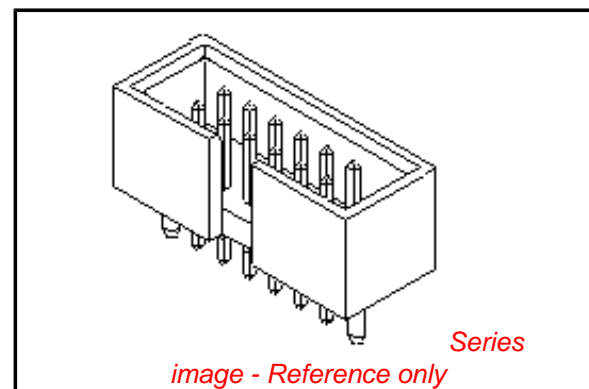
UL E29179

**General**

Product Family PCB Headers  
 Series [87834](#)  
 Application Wire-to-Board  
 Comments Void Pin Location: 5|Contact Molex for application in automotive industry  
 Overview [cgrid\\_sl\\_products](#)  
 Product Name C-Grid®

**Physical**

Breakaway No  
 Circuits (Loaded) 33  
 Circuits (maximum) 34  
 Color - Resin Black  
 First Mate / Last Break No  
 Flammability 94V-0  
 Glow-Wire Compliant No  
 Guide to Mating Part No  
 Keying to Mating Part None  
 Lock to Mating Part None  
 Material - Plating Mating Gold  
 Material - Plating Termination Tin  
 Material - Resin Polyester  
 Number of Rows 2  
 Orientation Vertical  
 PC Tail Length (in) 0.135 In  
 PC Tail Length (mm) 3.43 mm  
 PCB Locator Yes  
 PCB Retention Yes  
 Packaging Type Tray  
 Pitch - Mating Interface (in) 0.100 In  
 Pitch - Mating Interface (mm) 2.54 mm  
 Pitch - Term. Interface (in) 0.100 In  
 Pitch - Term. Interface (mm) 2.54 mm  
 Plating min: Mating (µin) 5.2  
 Plating min: Mating (µm) 0.13  
 Plating min: Termination (µin) 75.2  
 Plating min: Termination (µm) 1.88  
 Polarized to Mating Part Center Slot  
 Polarized to PCB Yes  
 Shrouded Fully  
 Stackable No  
 Temperature Range - Operating -55°C to +120°C



**EU RoHS**

**ELV and RoHS Compliant**  
**REACH SVHC Contains SVHC: No**  
**Halogen-Free Status**  
**Not Reviewed**

**China RoHS**



**Need more information on product environmental compliance?**

Email [productcompliance@molex.com](mailto:productcompliance@molex.com)  
 For a multiple part number RoHS Certificate of Compliance, [click here](#)

Please visit the [Contact Us](#) section for any non-product compliance questions.

**Search Parts in this Series**

[87834Series](#)

**Mates With**

.050" pitch ribbon cable connectors

Termination Interface: Style

Through Hole

**Electrical**

Current - Maximum per Contact

2.5A

Voltage - Maximum

250V DC

**Solder Process Data**

Lead-free Process Capability

Wave Capable (TH only)

**Material Info**

**Reference - Drawing Numbers**

Packaging Specification

PK-87835-001

Product Specification

PS-70246-100

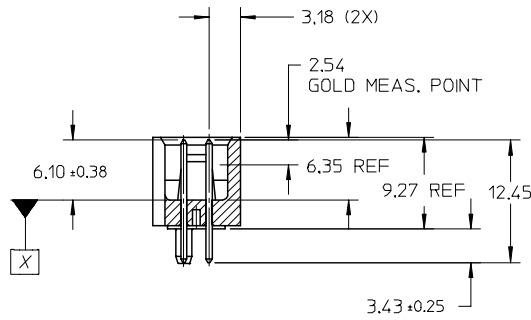
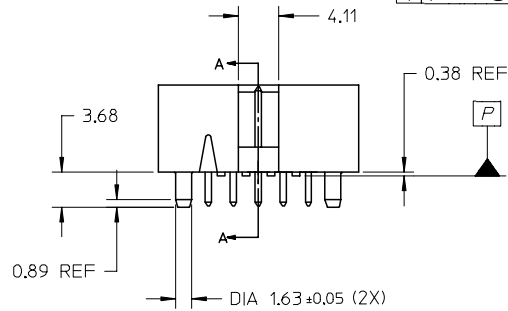
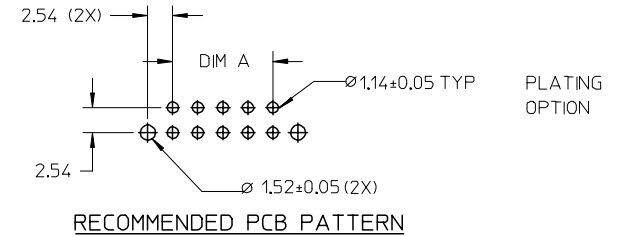
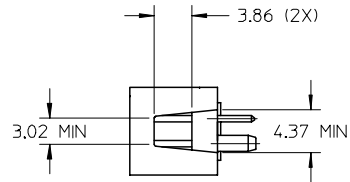
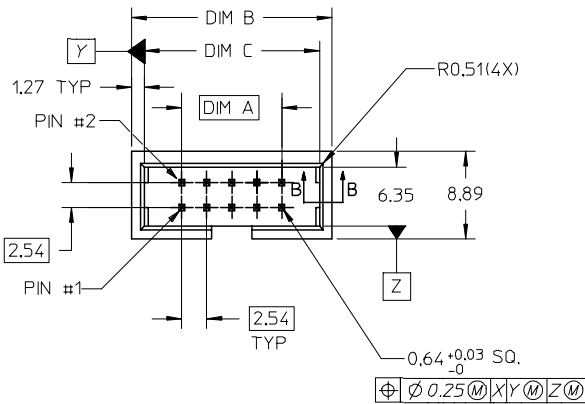
Sales Drawing

SD-87834-016

This document was generated on 05/25/2010

**PLEASE CHECK [WWW.MOLEX.COM](http://WWW.MOLEX.COM) FOR LATEST PART INFORMATION**

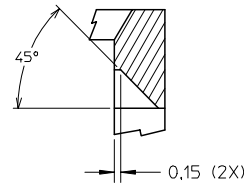
PART NUMBERS	CKT SIZE	VOID PIN LOCATIONS	PLATING OPTION	DIM A	DIM B	DIM C	DIM D
87834-3492	34	5	1	40.64	50.80	48.26	45.72
87834-4092	40	20	1	48.26	58.42	55.88	53.34
87834-4093	40	20	2	48.26	58.42	55.88	53.34



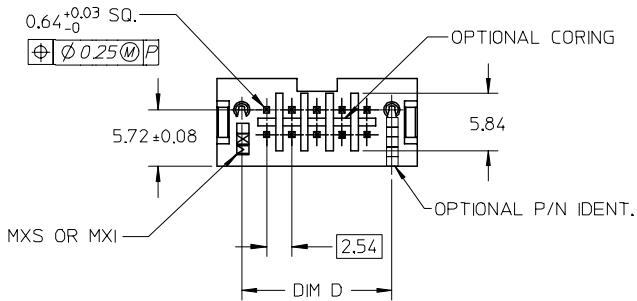
NOTES :

- MATERIAL :  
HOUSING : POLYESTER (PBT), UL94V-0, COLOR: BLACK.  
PIN : COPPER ALLOY.
- FOR ILLUSTRATION PURPOSE 10 CKT IS SHOWN.
- PIN PUSHOUT FORCE 0.91 KG MIN.
- PRODUCT SPECIFICATION PS-70246-100 APPLIES.
- WAFER TO BE FLAT WITHIN 0.03MM/CM
- PLATING OPTION:
  - 0.13um MIN. GOLD IN SELECTED AREA, AND 1.9um MIN. TIN IN SELECTED AREA, BOTH OVER 1.27um MIN. NICKEL OVERALL.
  - 0.76um MIN. GOLD IN SELECTED AREA, AND 1.9um MIN. TIN IN SELECTED AREA, BOTH OVER 1.27um MIN. NICKEL OVERALL.
- WEEK/YEAR STAMP NOT REQUIRED BY CUSTOMER.

SECTION A-A



SECTION B-B



ADD PLATING OPTION EC NO: S2005-0609 DRAWN: LQ1A0 CHKD: PTLIM APPR: SLOW	2005/02/03 2005/02/03 2005/02/03	DESCRIPTION QUALITY SYMBOLS ▽=0 ▽=0	GENERAL TOLERANCES (UNLESS SPECIFIED)		DIMENSION STYLE MM ONLY		SCALE NTS	DESIGN UNITS METRIC	THIRD ANGLE PROJECTION			
					DRAWN BY RSHAN		DATE 2003/11/20		TITLE C-GRID, SHROUDED WAFER SLOTTED W/IN-LINE PEG W/END WINDOW, VOID PIN			
					CHECKED BY KCL ING		DATE 2003/12/05		MOLEX INCORPORATED			
					APPROVED BY SKTOH		DATE 2003/12/06		DOCUMENT NO. SD-87834-016		SHEET NO. 1 OF 1	
DRAFT WHERE APPLICABLE MUST REMAIN WITHIN DIMENSIONS			SEE TABLE		THIS DRAWING CONTAINS INFORMATION THAT IS PROPRIETARY TO MOLEX INCORPORATED AND SHOULD NOT BE USED WITHOUT WRITTEN PERMISSION							