

PLEASE CHECK WWW.MOLEX.COM FOR LATEST PART INFORMATION

Part Number: [0391001309](#)
Status: **Active**
Description: 12.00mm (.472") Pitch Beau™ Eurostyle™ Two-Screw Terminal Strips, 9 Circuits, Low Profile

Documents:

[3D Model](#) [RoHS Certificate of Compliance \(PDF\)](#)
[Drawing \(PDF\)](#)

Agency Certification

CSA 25562
 UL E82573

General

Product Family Terminal Blocks
 Series [39100](#)
 Application Wire-to-Wire
 Component Type One Piece
 Product Literature Order No USA-303
 Product Name Eurostyle™ Two Screw
 Type Euro Block

Physical

Circuits (Loaded) 9
 Entry Angle Horizontal
 Flammability 94V-2
 Lock to Mating Part None
 Number of Rows 2
 Orientation Vertical
 PCB Retention Yes
 Panel Mount Mounting Holes Between Circuit
 Pitch - Mating Interface (in) 0.472 In
 Pitch - Mating Interface (mm) 12.00 mm
 Pitch - Term. Interface (in) 0.315 In
 Pitch - Term. Interface (mm) 8.00 mm
 Polarized to Mating Part No
 Stackable No
 Temperature Range - Operating 100°C
 Wire Size AWG 10, 12, 14, 16, 18, 20, 8

Electrical

Current - Maximum per Contact 40A
 Voltage - Maximum 300V

Material Info

Reference - Drawing Numbers

Sales Drawing SD-39100-005

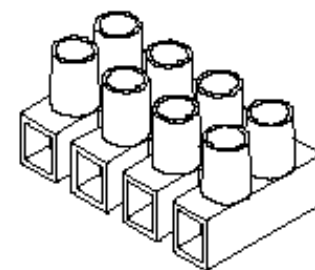


image - Reference only *Series*

EU RoHS

ELV and RoHS Compliant
REACH SVHC
 Not Reviewed
Halogen-Free Status
Not Reviewed

China RoHS

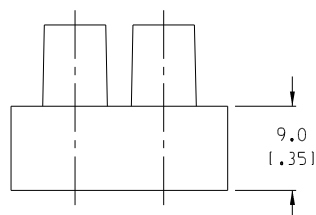
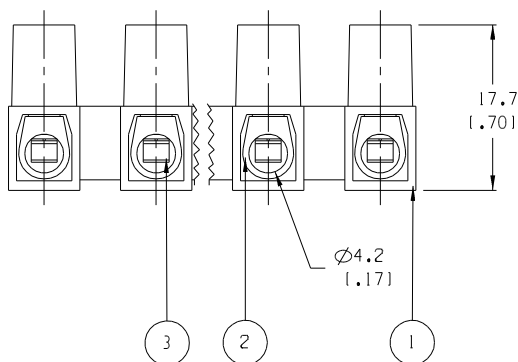
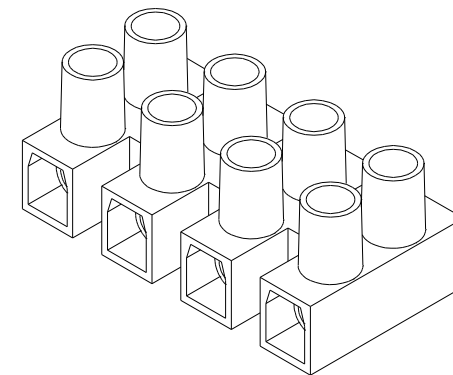
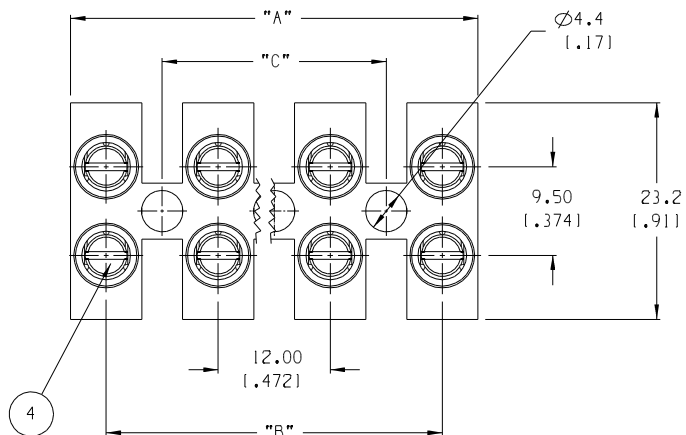


Need more information on product environmental compliance?

Email productcompliance@molex.com
 For a multiple part number RoHS Certificate of Compliance, [click here](#)

Please visit the [Contact Us](#) section for any non-product compliance questions.

Search Parts in this Series
[39100Series](#)



NUMBER OF CIRCUITS	"A" DIM.	"B" DIM.	"C" DIM.	MATERIAL NUMBER
01	8.00 [1.315]	N/A	N/A	391001301
02	20.00 [1.787]	12.00 [1.472]	N/A	391001302
03	32.00 [1.260]	24.00 [1.944]	12.00 [1.472]	391001303
04	44.00 [1.732]	36.00 [1.416]	24.00 [1.945]	391001304
05	56.00 [2.205]	48.00 [1.888]	36.00 [1.417]	391001305
06	68.00 [2.677]	60.00 [2.359]	48.00 [1.890]	391001306
07	80.00 [3.150]	72.00 [2.831]	60.00 [2.362]	391001307
08	92.00 [3.622]	84.00 [3.303]	72.00 [2.835]	391001308
09	104.00 [4.094]	96.00 [3.775]	84.00 [3.307]	391001309
10	116.00 [4.567]	108.00 [4.247]	96.00 [3.780]	391001310
11	128.00 [5.039]	120.00 [4.719]	108.00 [4.252]	391001311
12	140.00 [5.512]	132.00 [5.191]	120.00 [4.724]	391001312

- NOTES:
1. MATERIAL: SEE TABLE
 2. FINISHES: SEE TABLE
 3. PRODUCT SPECIFICATION: NOT REQUIRED
 4. PACKAGING: NOT REQUIRED
 5. MATES WITH: NONE
 6. "XX" REFERS TO THE NUMBER OF CIRCUITS

ITEM	QTY.	DESCRIPTION	MATERIAL	FINISH
4	XX*2	CLAMPING SCREWS, M3.5	STEEL	ZINC
3	XX	WIRE PROTECTOR	BRASS	NICKEL
2	XX	TERMINAL	BRASS	NICKEL
1	1	INSULATOR	NYLON 6	CLEAR

EC NO. RELEASED DRWN: JF 09-16-04 CH*K: APPR:	DESCRIPTION MAJOR CRITICAL SPC S	QUALITY SYMBOLS	GENERAL TOLERANCES: (UNLESS SPECIFIED)	SCALE 2:1	DESIGN UNITS <input type="checkbox"/> mm <input checked="" type="checkbox"/> INCH	THIRD ANGLE PROJECTION	PROJECT NO. -	-	-	
		4 PLACES	mm	INCH	DRAWN BY & DATE J. FARMER 09-16-04	TITLE: 12MM LOW PROFILE WITH WIRE PROTECTORS	DIMENSIONS: <input checked="" type="checkbox"/> mm <input type="checkbox"/> INCH <input type="checkbox"/> mm ONLY	SHT	REV	
		3 PLACES	±.038	±.005	CHECKED BY & DATE	MOLEX INCORPORATED	INCH	mm	mm	ONLY
		2 PLACES	±.13	±.01	APPROVED BY & DATE	CAD FILENAME 39100-13XX	MATERIAL NO. SEE CHART	DRAWING NO. SD-39100-005	SHEET NO. 1 OF 1	REVISION ON CAD ONLY
1 PLACE	±.3			ANGULAR: ±2°						
REV A		DRAFT WHERE APPLICABLE MUST REMAIN WITHIN DIMENSIONS		THIS DRAWING CONTAINS INFORMATION THAT IS PROPRIETARY TO MOLEX INCORPORATED AND SHOULD NOT BE USED WITHOUT WRITTEN PERMISSION.				SIZE B		