

PLEASE CHECK WWW.MOLEX.COM FOR LATEST PART INFORMATION

Part Number: [0359790750](#)
Status: **Planned for Obsolescence**
Description: 7.92mm (.312") Pitch Wire-to-Board Header, Right Angle, 7 Circuits, White, Short PC Tails, Polyester Alloy, Glow Wire Compatible

Documents:

[Drawing \(PDF\)](#) [RoHS Certificate of Compliance \(PDF\)](#)
[Product Specification PS-35979-001 \(PDF\)](#)

Agency Certification

CSA LR19980
TUV R72090224

General

Product Family PCB Headers
Series [35979](#)
Application Wire-to-Board
Product Name N/A

Physical

Breakaway No
Circuits (Loaded) 7
Circuits (maximum) 7
Color - Resin White
Durability (mating cycles max) 30
First Mate / Last Break No
Flammability 94V-0
Glow-Wire Compliant Yes
Guide to Mating Part No
Keying to Mating Part None
Lock to Mating Part Yes
Material - Plating Mating Tin
Material - Plating Termination Tin
Material - Resin Polyester Alloy
Number of Rows 1
Orientation Vertical
PC Tail Length (in) 0.146 In
PC Tail Length (mm) 3.70 mm
PCB Locator No
PCB Retention None
PCB Thickness Recommended (in) 0.062 In
PCB Thickness Recommended (mm) 1.60 mm
Packaging Type Bag
Pitch - Mating Interface (in) 0.312 In
Pitch - Mating Interface (mm) 7.92 mm
Polarized to Mating Part No
Polarized to PCB No
Shrouded No
Stackable Yes
Surface Mount Compatible (SMC) No
Temperature Range - Operating -25°C to +85°C
Termination Interface: Style Through Hole

Electrical

Current - Maximum per Contact 7A
Voltage - Maximum 250V

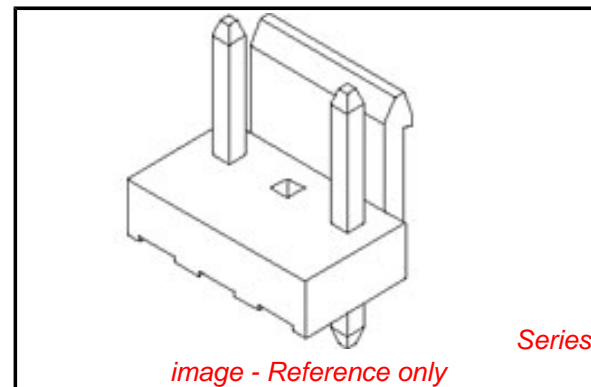


image - Reference only

EU RoHS

**ELV and RoHS
Compliant
REACH SVHC
Not Reviewed
Halogen-Free
Status
Not Reviewed**

China RoHS



**Need more information on product
environmental compliance?**

Email productcompliance@molex.com
For a multiple part number RoHS Certificate of Compliance, [click here](#)

Please visit the [Contact Us](#) section for any non-product compliance questions.

Search Parts in this Series

[35979Series](#)

Mates With

[35977 Wire-to-Board Housing](#)

Material Info

Reference - Drawing Numbers

Product Specification

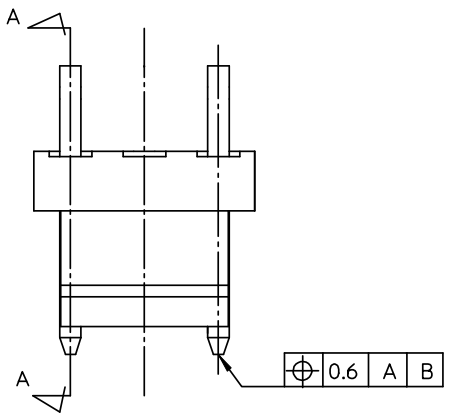
PS-35979-001

Sales Drawing

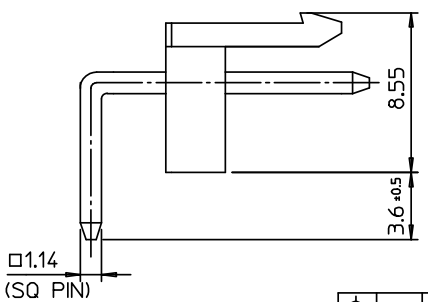
SD-35979-002

This document was generated on 06/07/2010

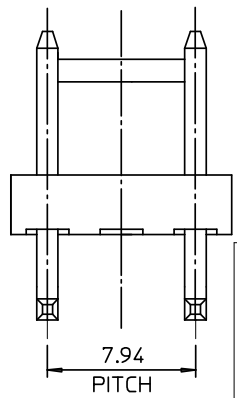
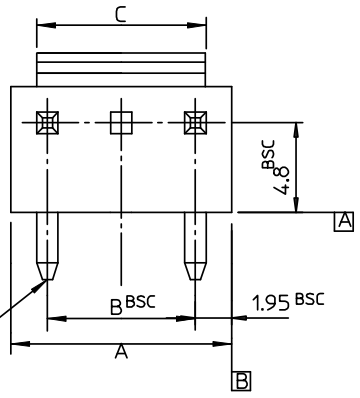
PLEASE CHECK WWW.MOLEX.COM FOR LATEST PART INFORMATION



⊕ 0.6 A B



⊕ 0.6 A B

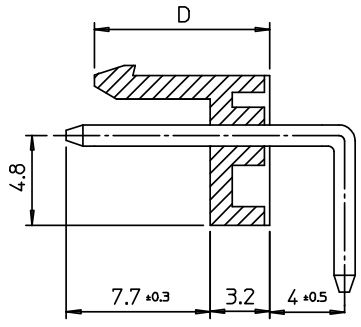


NOTES

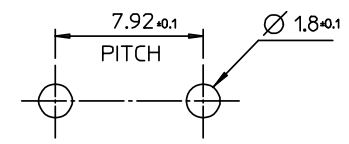
- MATERIAL : HEADER - PA66, PBT/PC
PIN : BRASS(CDA 2700)
- FINISHES : PIN
THICKNESS - TIN PLATED 3.0 MICROMETER MIN.
OVER Cu 1.5 MICROMETER MIN.
- PRODUCT SPECIFICATION : PS-35979-002

LEGEND

- 35979-****
- COLOR : 0 - WHITE
1 - BLACK
2 - RED
3 - YELLOW
4 - BLUE
 - PIN TYPE : RIGHT ANGLE MATERIAL : 2 : PA66 5 : PBT/PC
 - CIRCUIT NO. (02,03,04...)



SECTION A-A



P.C. BOARD LAYOUT (t=1.6)

9.4	56.50	55.44	59.40	3597908**	35979-08**	8	15
	48.58	47.52	51.48	3597907**	35979-07**	7	13
	40.66	39.60	43.56	3597906**	35979-06**	6	11
9.7	32.74	31.68	35.64	3597905**	35979-05**	5	9
	24.82	23.76	27.72	3597904**	35979-04**	4	7
	16.90	15.84	19.80	3597903**	35979-03**	3	5
D	C	B	A	MAT'L NO	ENG NO.	CKT	N

REVISED	DESCRIPTION
EC NO: KOR2008-0143	2008/02/26
DRWN: JHPARK01	2008/02/26
CHKD: WY. YANG	2008/02/26
APPR: YUNS.IKK.M	2008/02/27

QUALITY SYMBOLS	GENERAL TOLERANCES (UNLESS SPECIFIED)
▽=0	mm INCH
∇=0	4 PLACES ± --- ± ---
	3 PLACES ± --- ± ---
	2 PLACES ± --- ± ---
	1 PLACE ± 0.2 ± ---
	ANGULAR ± 2 °
	DRAFT WHERE APPLICABLE MUST REMAIN WITHIN DIMENSIONS

DIMENSION STYLE MM ONLY	
DRAWN BY YR. WI	DATE 1999/05/07
CHECKED BY JK. OH	DATE 1999/05/07
APPROVED BY CW. LEE	DATE 1999/05/07
MATERIAL NO.	
SEE TABLE	

SCALE 3.5:1	DESIGN UNITS METRIC	THIRD ANGLE PROJECTION
TITLE 7.92 PITCH W-T-B CONN. HEADER ASSY(R/A)		
MOLEX INCORPORATED		
MATERIAL NO. SD-35979-002	DOCUMENT NO.	SHEET NO. 1 OF 01
THIS DRAWING CONTAINS INFORMATION THAT IS PROPRIETARY TO MOLEX INCORPORATED AND SHOULD NOT BE USED WITHOUT WRITTEN PERMISSION		