

PLEASE CHECK WWW.MOLEX.COM FOR LATEST PART INFORMATION

Part Number: [0365380010](#)
Status: **Active**
Overview: [mlx](#)
Description: 6.35mm (.250") Pitch MLX™ Power Connector Header, Vertical, with Compliant Polarizing Peg, 4 Circuits, Unreinforced Polyester 94V-0, White

Documents:

[3D Model](#) [Product Specification PSX-42002-0001 \(PDF\)](#)
[Drawing \(PDF\)](#) [RoHS Certificate of Compliance \(PDF\)](#)

General

Product Family	PCB Headers
Series	36538
Application	Wire-to-Board
Overview	mlx
Product Name	MLX™

Physical

Breakaway	No
Circuits (Loaded)	4
Circuits (maximum)	4
Circuits Detail	With Compliant Polarizing Peg
Color - Resin	Natural
Durability (mating cycles max)	50
First Mate / Last Break	No
Glow-Wire Compliant	No
Guide to Mating Part	No
Keying to Mating Part	None
Lock to Mating Part	Yes
Material - Metal	Phosphor Bronze
Material - Plating Mating	Tin-Lead
Material - Resin	Polyester
Number of Rows	1
Orientation	Vertical
PCB Locator	Yes
PCB Retention	Yes
PCB Thickness Recommended (in)	0.062 In
PCB Thickness Recommended (mm)	1.57 mm
Packaging Type	Bag
Pitch - Mating Interface (in)	0.250 In
Pitch - Mating Interface (mm)	6.35 mm
Pitch - Term. Interface (in)	0.250 In
Pitch - Term. Interface (mm)	6.35 mm
Plating min: Mating (µin)	20
Plating min: Mating (µm)	0.51
Polarized to Mating Part	Yes
Polarized to PCB	Yes
Shrouded	Fully
Stackable	No
Surface Mount Compatible (SMC)	No
Temperature Range - Operating	-55°C to +105°C
Termination Interface: Style	Through Hole

Electrical

Current - Maximum per Contact	12A
Voltage - Maximum	600V

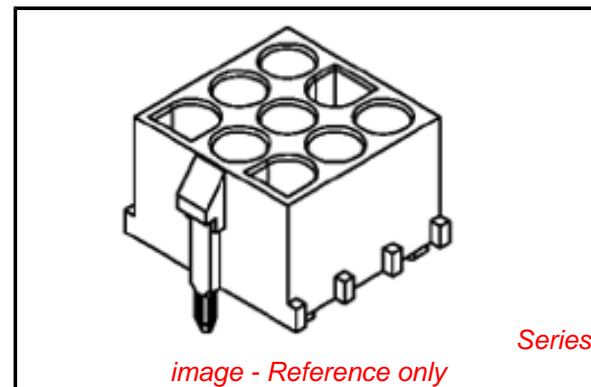


image - Reference only

EU RoHS **China RoHS**

Compliance Status

Not Reviewed

REACH SVHC

Not Reviewed

Halogen-Free

Status

Not Reviewed

Need more information on product environmental compliance?

Email productcompliance@molex.com
 For a multiple part number RoHS Certificate of Compliance, [click here](#)

Please visit the [Contact Us](#) section for any non-product compliance questions.

Search Parts in this Series

[36538Series](#)

Material Info

Reference - Drawing Numbers

Product Specification

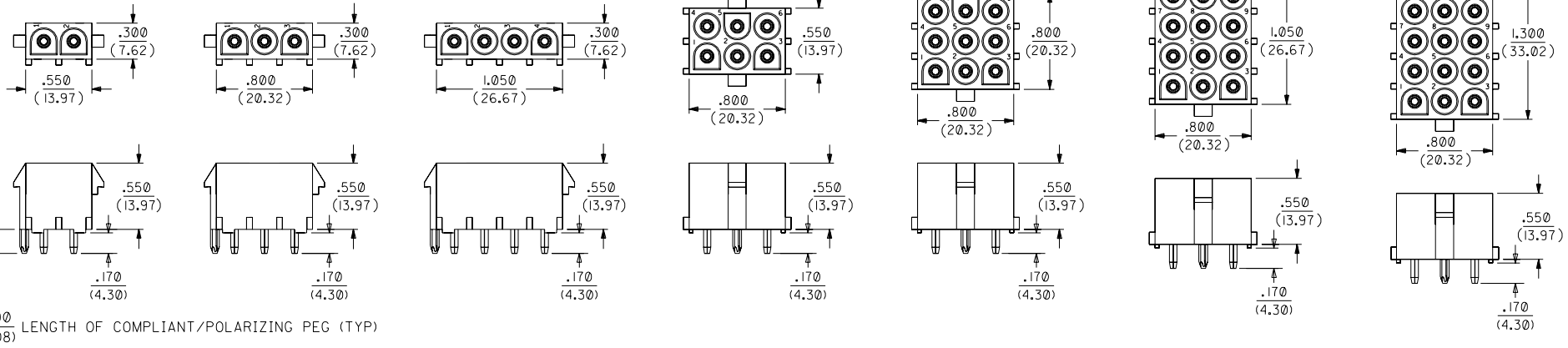
Sales Drawing

PSX-42002-0001

SD-36538-001

This document was generated on 05/24/2010

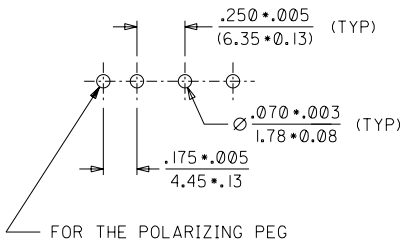
PLEASE CHECK WWW.MOLEX.COM FOR LATEST PART INFORMATION



$\frac{.200}{(5.08)}$ LENGTH OF COMPLIANT/POLARIZING PEG (TYP)

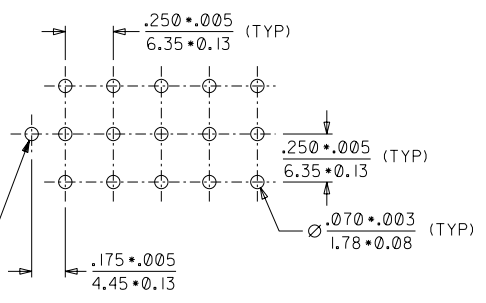
P.C. BOARD MOUNTING DIMENSIONS

2, 3 & 4 POSITION HEADER ASSEMBLIES



FOR THE POLARIZING PEG

6, 9, 12 & 15 POSITION HEADER ASSEMBLY



FOR THE POLARIZING PEG

NOTES:

- 1) MATERIAL CODES:
HOUSING :
*A= UNREINFORCED POLYESTER, 94V-0.
COLOR: WHITE
*B= UNREINFORCED POLYESTER, 94V-0.
COLOR: BRICK RED
*C= NYLON (PA66), UL94V-2
COLOR: WHITE, TRANSLUCENT
TERMINAL : PHOSPHOR BRONZE
- 2) FINISH:
TIN-LEAD 20 MICROINCH (0.51 MICRONS) MINIMUM
- 3) TERMINAL LENGTH IS SUITABLE FOR .062/(1.57) THICK P.C BOARD
- 4) DIMENSIONS ARE FOR REFERENCE ONLY UNLESS INDICATED OTHERWISE.
- 5) HEADER ASSEMBLY HOUSINGS MATE WITH :
- PLUG HOUSINGS, .084/(2.13) DIA. SERIES: (42021-**)
- 6) CONTACTS ARE ON .250/(6.35) GRID CENTERLINE SPACING.

EC NO. I 2003-0027 A1 DRWNS.S 20/01/03 CHK: G.L 20/01/03 APPR: G.L 20/01/03	DESCRIPTION MAJOR CRITICAL	GENERAL TOLERANCES: (UNLESS SPECIFIED)		SCALE 1.5:1	DESIGN UNITS <input type="checkbox"/> mm <input checked="" type="checkbox"/> INCH	DIMENSIONS: <input type="checkbox"/> mm <input checked="" type="checkbox"/> INCH <input type="checkbox"/> mm ONLY	SHT	REV
		4 PLACES ±0.25	±.010	DRAWN BY & DATE S.S 01/09/28	THIRD ANGLE PROJECTION		REVISE ON CAD ONLY	
REV		3 PLACES ±0.25	±.014	CHECKED BY & DATE G.L 01/09/28	TITLE: HEADER HOUSING ASSEMBLIES .084/(2.13) SERIES WITH COMPLIANT/POLARISING PEG			
		2 PLACES ±0.25	±.014	APPROVED BY & DATE G.L 01/09/28	MATERIAL NO. SD-36538-001			
		1 PLACE ±0.36	±.	CAD FILENAME SD-36538-001.S01	DRAWING NO. SD-36538-001			
		ANGULAR: ± 1/2°		THIS DRAWING CONTAINS INFORMATION THAT IS PROPRIETARY TO MOLEX INCORPORATED AND SHOULD NOT BE USED WITHOUT WRITTEN PERMISSION.		SHEET NO. 1 OF 2		SIZE C

ITEM NO.	CIRCUIT SIZE	MATERIAL COLOR (SEE NOTE 1)
36538-0001	2	A
36538-0002		B
36538-0003		C
36538-0004	3	A
36538-0005		B
36538-0006		C
36538-0007	9	A
36538-0008		B
36538-0009		C
36538-0010	4	A
36538-0011		B
36538-0012		C
36538-0013	6	A
36538-0014		B
36538-0015		C
36538-0016	15	A
36538-0017		B
36538-0018		C
36538-0019	12	A
36538-0020		B
36538-0021		C

EC NO. I 2003-0027 DRWNS.S 20/01/03 CHK: G.L 20/01/03 APPR: G.L 20/01/03	QUALITY SYMBOLS MAJOR = CRITICAL =	GENERAL TOLERANCES: (UNLESS SPECIFIED)		SCALE	DESIGN UNITS <input type="checkbox"/> mm <input checked="" type="checkbox"/> INCH	THIRD ANGLE PROJECTION <input type="checkbox"/> mm <input checked="" type="checkbox"/> INCH <input type="checkbox"/> mm ONLY	DIMENSIONS:	SHT	REV
		4 PLACES ±0. ±.	DRAWN BY & DATE S.S 01/09/28	TITLE: HEADER HOUSING ASSEMBLIES .084/(2.13) SERIES WITH COMPLIANT/POLARIZING PEG			REVISION ON CAD ONLY		
		3 PLACES ±0. ±. 010	CHECKED BY & DATE G.L 01/09/28	MOLEX INCORPORATED			SHEET NO. 2 OF 2		
		2 PLACES ±0.25 ±. 014 1 PLACE ±0.36 ±.	APPROVED BY & DATE G.L 01/09/28	CAD FILENAME SD-36538-001.S02	MATERIAL NO. SEE CHART	DRAWING NO. SD-36538-001	SIZE C		
DRAFT WHERE APPLICABLE MUST REMAIN WITHIN DIMENSIONS		THIS DRAWING CONTAINS INFORMATION THAT IS PROPRIETARY TO MOLEX INCORPORATED AND SHOULD NOT BE USED WITHOUT WRITTEN PERMISSION.							