

**PLEASE CHECK WWW.MOLEX.COM FOR LATEST PART INFORMATION**

**Part Number:** [0355231600](#)  
**Status:** **Active**  
**Description:** 2.29/6.35mm (.090/.250") Tab Hybrid Wire-to-Wire Housing, Male, 16 Circuits

**Documents:**

[Drawing \(PDF\)](#) [RoHS Certificate of Compliance \(PDF\)](#)  
[Product Specification PS-35519-001 \(PDF\)](#)

**General**

Product Family	Crimp Housings
Series	35523
Comments	With option #1 polarization
Product Name	N/A

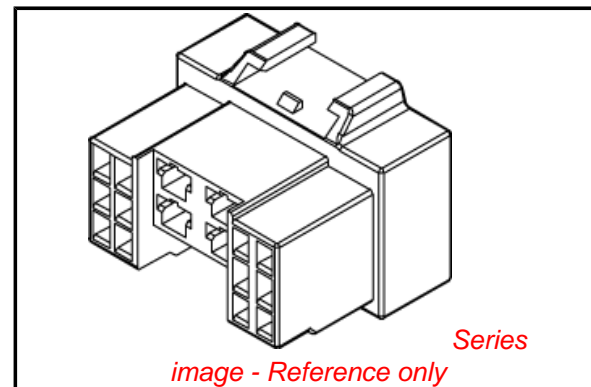
**Physical**

Circuits (maximum)	16
Color - Resin	Natural
Gender	Male
Glow-Wire Compliant	No
Material - Resin	Polyester
Number of Rows	3
Packaging Type	Bag
Panel Mount	No
Pitch - Mating Interface (in)	0.165 In, 0.374 In
Pitch - Mating Interface (mm)	4.20 mm, 9.50 mm
Stackable	No
Temperature Range - Operating	-40°C to +120°C

**Material Info**

**Reference - Drawing Numbers**

Product Specification	PS-35519-001
Sales Drawing	SD-35523-001, SD-35523-160*



**EU RoHS**

**ELV and RoHS  
Compliant**  
**REACH SVHC**  
 Not Reviewed  
**Halogen-Free  
Status**

**China RoHS**



**Need more information on product  
environmental compliance?**

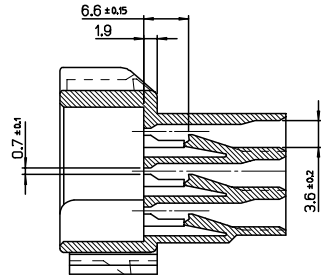
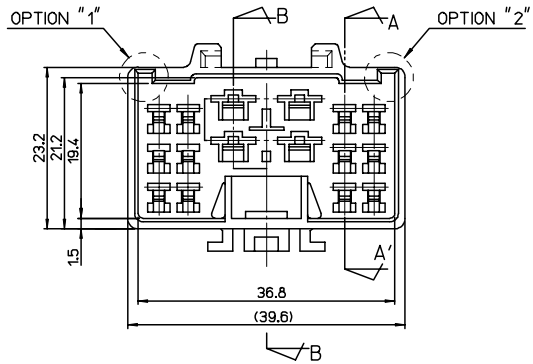
Email [productcompliance@molex.com](mailto:productcompliance@molex.com)  
 For a multiple part number RoHS Certificate of Compliance, [click here](#)

Please visit the [Contact Us](#) section for any non-product compliance questions.

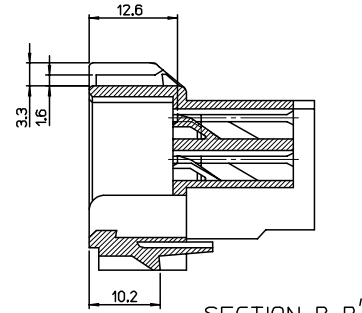
**Search Parts in this Series**  
[35523Series](#)

**Mates With**  
[35519](#)

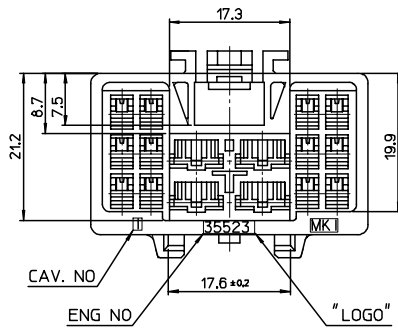
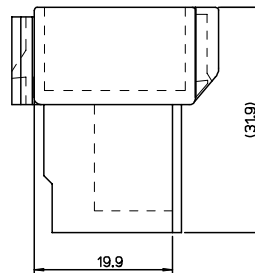
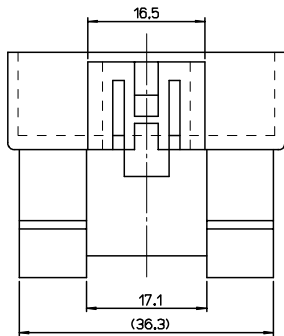
**Use With**  
[35725](#) , [35408](#)



SECTION A-A'



SECTION B-B'

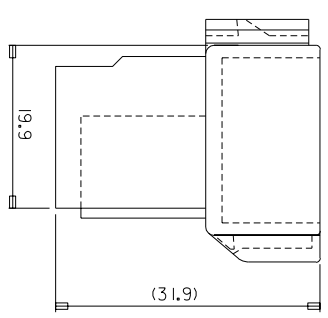
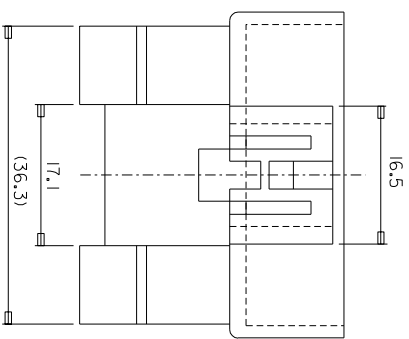
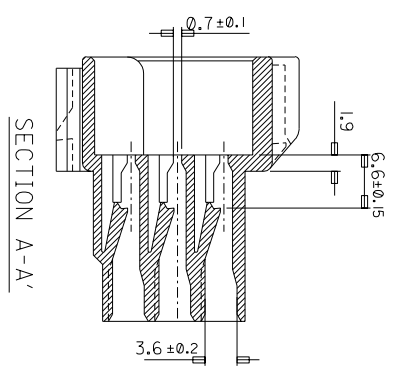
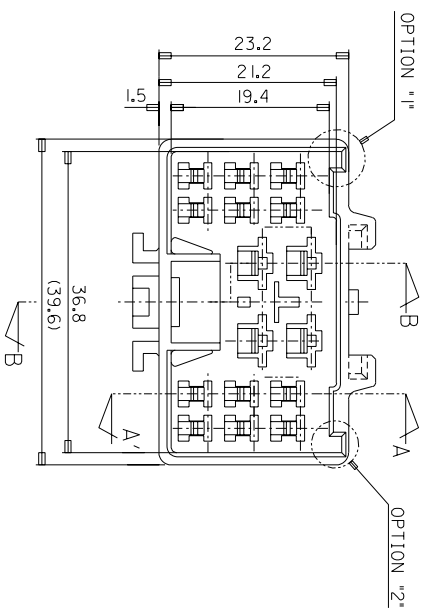
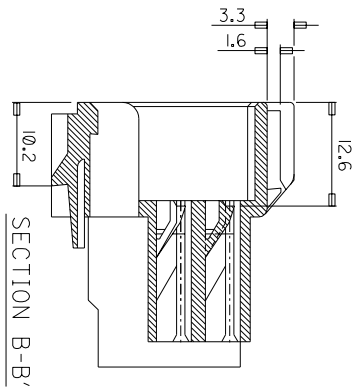


NOTE

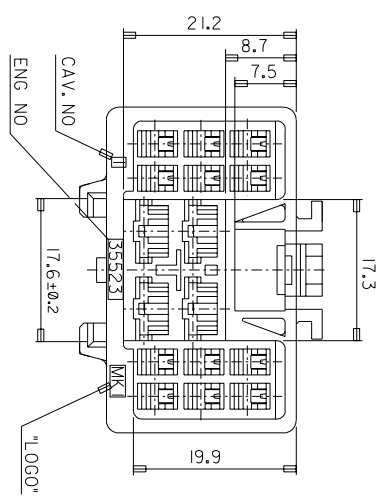
1. MATERIAL: POLYESTER
2. COLOR : SEE TABLE
3. APPLICABLE TERMINAL: 35408-9\*02  
35725-\*\*\*0
4. APPLICABLE HOUSING: 35519-1600/1601
5. PRODUCT SPECIFICATION : PS-35523-0001

PART NO.	COLOR	REMARKS
35523-1600	NATURAL	OPTION "1"
35523-1601	BLACK	OPTION "2"

REVISED EC NO: KOR2007-0108 DRW: NEEKIM 2007/04/13 CHK: BCYON 2007/04/13 APPR: YUNSIKIM 2007/04/13	QUALITY SYMBOLS ▽=0 ▽=0	GENERAL TOLERANCES (UNLESS SPECIFIED)		DIMENSION STYLE MM ONLY		SCALE 2:1	DESIGN UNITS METRIC	THIRD ANGLE PROJECTION	
		4 PLACES ± --- ± ---	3 PLACES ± --- ± ---	2 PLACES ± 0.2 ± ---	1 PLACE ± 0.3 ± ---	ANGULAR ± 1 °	DRAWN BY CYCHO	DATE 1998/05/15	CHECKED BY BKCHOI
C	DESCRIPTION	DRAFT WHERE APPLICABLE MUST REMAIN WITHIN DIMENSIONS		MATERIAL NO. 355231600		MOLEX INCORPORATED			
				DOCUMENT NO. SD-35523-001		SHEET NO. 1 OF 01			



- NOTE
1. MATERIAL : POLYESTER (PBT)
  2. COLOR : SEE TABLE
  3. APPLICABLE TERMINAL : 35408-0\*02  
35725-\*\*\*0
  4. APPLICABLE HOUSING : 35519-1600/1601.
  5. PRODUCT SPECIFICATION : PS-35523-0001



\* TABLE

PART NO.	COLOR	REMARKS
E 35523-1600	NATURAL	WITH OPTION "1"
E 35523-1601	BLACK	WITH OPTION "2"

REV	DESCRIPTION	QUALITY SYMBOLS	GENERAL TOLERANCES: UNLESS SPECIFIED	SCALE	DESIGN UNITS	THIRD ANGLE PROJECTION	SHT	REV
B	REVISD EC NO. KOR 1998-0116 DRWN: C.Y.CHO CHK: B.K.CHOI APPR: C.W.LEE	MAJOR CRITICAL C	MM INCH 4 PLACES ±0.1 3 PLACES ±0.2 2 PLACES ±0.3 1 PLACE ±0.3	1:51	MM INCH C.Y.CHO 1998/05/15 B.K.CHOI 1998/05/15 C.W.LEE 1998/05/15	<input checked="" type="checkbox"/> DIM <input type="checkbox"/> RCH <input type="checkbox"/> INCH <input checked="" type="checkbox"/> MM <input type="checkbox"/> ONLY		
DRAWING NO. SD 35523-160*		DRAWING NO. SD 35523-160*		TITLE: 090/250 HYBRID MALE HOUSING (16P)		MATERIAL NO. SD 35523-160*		SHEET NO. I/1
DRAWING NO. SD 35523-160*		DRAWING NO. SD 35523-160*		TITLE: 090/250 HYBRID MALE HOUSING (16P)		MATERIAL NO. SD 35523-160*		SHEET NO. I/1
DRAWING NO. SD 35523-160*		DRAWING NO. SD 35523-160*		TITLE: 090/250 HYBRID MALE HOUSING (16P)		MATERIAL NO. SD 35523-160*		SHEET NO. I/1