

PLEASE CHECK WWW.MOLEX.COM FOR LATEST PART INFORMATION

Part Number: [0354301800](#)
Status: **Active**
Description: 6.00mm (.236") Tab Wire-to-Wire Terminal, Female, Two-Piece Type, Wire Range AVS (CAVS) 0.85-1.25 (.033-.049")

Documents:

[Drawing \(PDF\)](#) [Product Specification PS-35385-001 \(PDF\)](#)
[Product Specification PS-35270-001 \(PDF\)](#) [RoHS Certificate of Compliance \(PDF\)](#)

General

Product Family Crimp Terminals
 Series [35430](#)
 Crimp Quality Equipment Yes
 Product Name N/A

Physical

Gender Female
 Material - Metal Copper-Nickel-Tin, High Copper
 Material - Plating Mating Tin
 Material - Plating Termination Tin
 Packaging Type Reel
 Plating min: Mating (µin) 32.00
 Plating min: Mating (µm) 0.800
 Plating min: Termination (µin) 32.00
 Plating min: Termination (µm) 0.80
 Termination Interface: Style Crimp or Compression
 Wire Insulation Diameter 2.20-2.80mm (.087-.110")
 Wire Size AWG 16, 18
 Wire Size mm² N/A

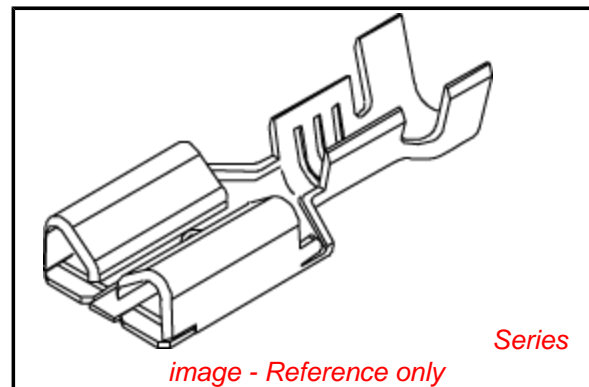
Electrical

Current - Maximum per Contact 30A

Material Info

Reference - Drawing Numbers

Product Specification PS-35270-001, PS-35385-001
 Sales Drawing SD-35430-001



EU RoHS

ELV and RoHS Compliant
REACH SVHC Contains SVHC: No
Halogen-Free Status

China RoHS



Need more information on product environmental compliance?

Email productcompliance@molex.com
 For a multiple part number RoHS Certificate of Compliance, [click here](#)

Please visit the [Contact Us](#) section for any non-product compliance questions.

Search Parts in this Series

[35430Series](#)

Mates With

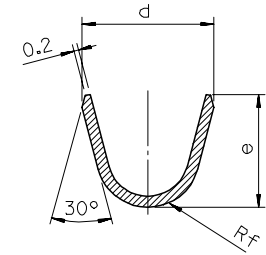
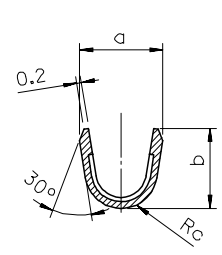
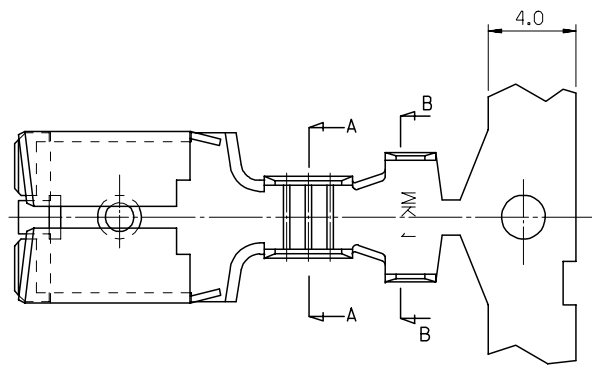
[35725 Terminal](#)

Use With

[35270 Housing](#)

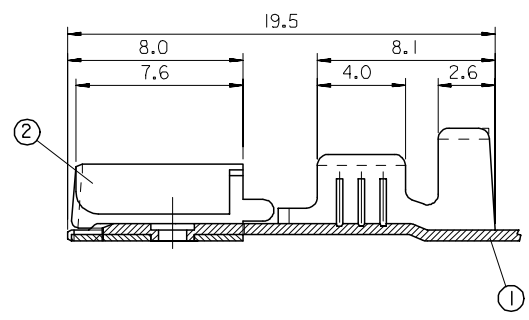
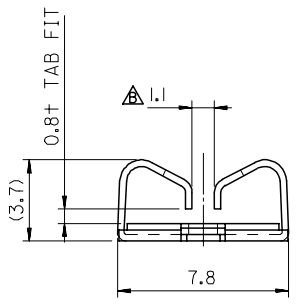
DWG. NO. SD-35430-001
 SIMILAR ITEM
 PROJECT NO.
 DO NOT SCALE DRAWING DIMENSION IN METRIC

8 7 6 5 4 3 2 1



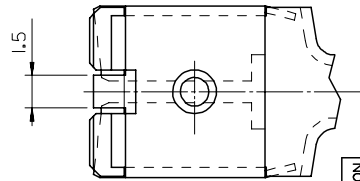
SECTION A-A

SECTION B-B



PART NO.	a	b	Rc	d	e	Rf	WIRE RANGE (mm ²)	Q'TY/REEL
35430-1700	S	3.1	3.0	1.0	4.1	4.0	1.6	0.3 ~ 0.5
-1800	M	3.5	3.5	1.6	5.5	5.2	2.3	0.85 ~ 1.25
-1900	L	5.5	4.8	2.1	6.6	6.5	2.6	2.0 ~ 3.0

	PART NO.	PART NAME	MATERIAL	FINISH
①	35428-6702 -6802 -6902	POWERMATE FEMALE TER'L-BODY (S,M,L)	COPPER ALLOY 0.5†	PRE-TIN PLATING
②	35429-6000	POWERMATE FEMALE TER'L-CONTACT	COPPER ALLOY 0.3†	UNPLATING



CHANGED OF DIMENSION ECN NO. KOR2006-0103 DRWN: EDKIM 06/02/21 CHK: BC.YOON 06/02/21 APPR:SH-CHOI 06/02/21	QUALITY SYMBOLS MAJOR CRITICAL REFERENCE	GENERAL TOLERANCES: (UNLESS SPECIFIED) mm INCH		SCALE 5:1	DESIGN UNITS <input checked="" type="checkbox"/> mm <input type="checkbox"/> INCH	DIMENSIONS: <input type="checkbox"/> mm <input type="checkbox"/> INCH <input checked="" type="checkbox"/> mm ONLY	SHT REV	
		4 PLACES ±0. ±-		DRAWN BY & DATE JH.OH 96/10/13		TITLE: POWERMATE FEMALE TER'L 2 PIECE(S,M,L)		
		3 PLACES ±0. ±-		CHECKED BY & DATE		MOLEX INCORPORATED		
		2 PLACES ±0. ±-		APPROVED BY & DATE		CAD FILENAME SD35430.MI MATERIAL NO. DRAWING NO. SD-35430-001 SHEET NO. 1/1		
1 PLACE ±0.3 ±-		ANGULAR: ± 3 °		THIS DRAWING CONTAINS INFORMATION THAT IS PROPRIETARY TO MOLEX INCORPORATED AND SHOULD NOT BE USED WITHOUT WRITTEN PERMISSION.				
DRAFT WHERE APPLICABLE MUST REMAIN WITHIN DIMENSIONS		REVISE ONLY ON CAD ONLY						

8 7 6 5 4 3 2 1 KOREA MX-A3

MATERIAL		SEE TABLE	
GENERAL TOLERANCE		DIMENSION : *0.3	
ANGLE :		DRAWN BY 961013 J.K.OH	
DIMENSION CLASSIFICATION		CHK'D BY	
▽ : CRITICAL ▼ : MAJOR		APP'D BY	
() : REFERENCE		SCALE 5:1	
A NEW RELEASE	971129	TITLE: POWERMATE FEMALE TER'L	
LTR REVISION RECORD	ECN DATE	2PIECE(S,M,L)	
REVISION RECORD		SHEET 1/1	
REVISION RECORD		ENG. NO. SD 35430-1700,1800,1900	
REVISION RECORD		REV A	