

PLEASE CHECK WWW.MOLEX.COM FOR LATEST PART INFORMATION

Part Number: [0470804001](#)
Status: **Active**
Overview: serial ata signal plugs
Description: 1.27mm (.050") Pitch Serial ATA Shrouded Signal Plug, Surface Mount, 7 Circuits, with Peg and Locking Latch, Color Black, Gold (Au) Flash, Lead-free

Documents:

[3D Model](#) [Product Specification PS-67490-001 \(PDF\)](#)
[Drawing \(PDF\)](#) [RoHS Certificate of Compliance \(PDF\)](#)

Agency Certification

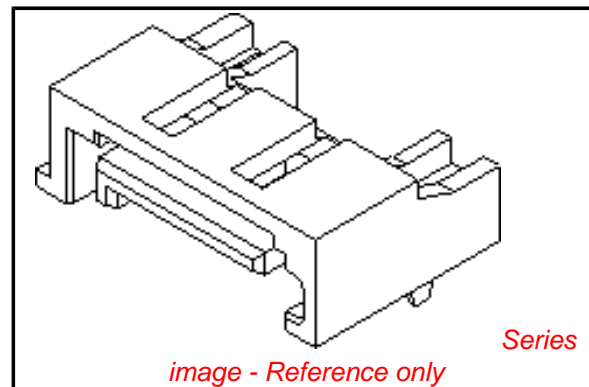
CSA LR 19980
 UL E29179

General

Product Family PCB Headers
 Series [47080](#)
 Application Board-to-Board, Wire-to-Board
 Overview [serial ata signal plugs](#)
 Product Name Serial ATA

Physical

Breakaway No
 Circuits (Loaded) 7
 Circuits (maximum) 7
 Color - Resin Black
 Durability (mating cycles max) 500
 First Mate / Last Break No
 Flammability 94V-0
 Glow-Wire Compliant No
 Guide to Mating Part No
 Keying to Mating Part None
 Lock to Mating Part Yes
 Material - Metal Brass
 Material - Plating Mating Gold
 Material - Plating Termination Tin
 Material - Resin High Temperature Thermoplastic
 Number of Rows 1
 Orientation Right Angle
 PCB Locator Yes
 PCB Retention Yes
 PCB Thickness Recommended (in) 0.062 In
 PCB Thickness Recommended (mm) 1.60 mm
 Packaging Type Embossed Tape on Reel
 Pitch - Mating Interface (in) 0.050 In
 Pitch - Mating Interface (mm) 1.27 mm
 Plating min: Mating (µin) 2
 Plating min: Mating (µm) 0.05
 Plating min: Termination (µin) 76
 Plating min: Termination (µm) 1.9
 Polarized to Mating Part Yes
 Polarized to PCB Yes
 Shrouded No
 Stackable No
 Temperature Range - Operating -35°C to +85°C
 Termination Interface: Style Surface Mount



EU RoHS

ELV and RoHS Compliant
REACH SVHC
 Not Reviewed
Halogen-Free Status
Not Reviewed

China RoHS



Need more information on product environmental compliance?

Email productcompliance@molex.com
 For a multiple part number RoHS Certificate of Compliance, [click here](#)

Please visit the [Contact Us](#) section for any non-product compliance questions.

Search Parts in this Series

[47080Series](#)

Mates With

[67489](#) Serial ATA Signal Connect. ATA Straight to Straight Signal Cable Assembly
[887505310](#) , [887505318](#) , [887505410](#) , [887505418](#)

Electrical

Current - Maximum per Contact 1.5A
Voltage - Maximum 15V

Solder Process Data

Duration at Max. Process Temperature (seconds) 3
Lead-free Process Capability Reflow Capable (SMT only)
Max. Cycles at Max. Process Temperature 1
Process Temperature max. C 250

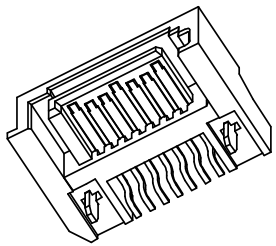
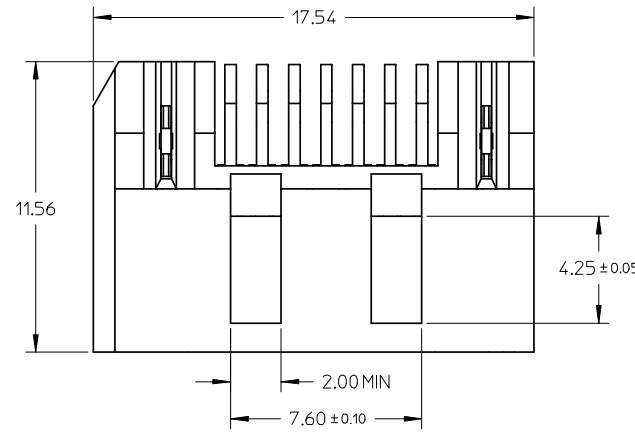
Material Info**Reference - Drawing Numbers**

Packaging Specification PK-47080-001
Product Specification PS-67490-001, RPS-67490-002
Sales Drawing SD-47080-001

This document was generated on 05/26/2010

PLEASE CHECK WWW.MOLEX.COM FOR LATEST PART INFORMATION

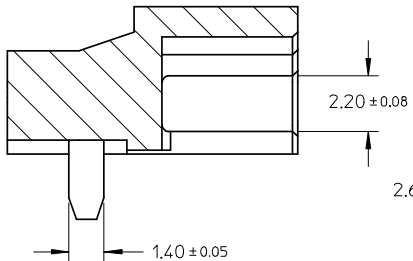
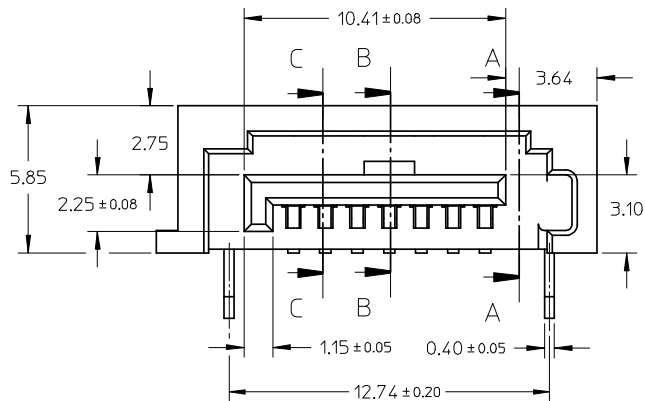
F



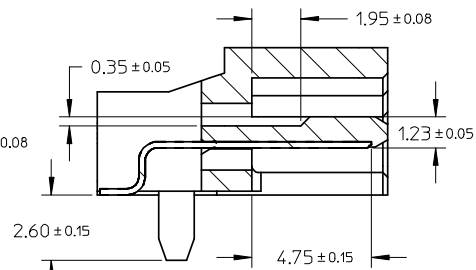
- NOTES:
- MATERIAL:
HOUSING: HIGH TEMPERATURE PLASTIC, GLASS FILLED, UL94V-0, COLOR: SEE CHART;
TERMINAL/PEG: COPPER ALLOY;
MYLAR: ADHESIVE TAPE.
 - TERMINAL AND PEG PLATING:
CONTACT AREA: GOLD PLATED ON 1.25 MICRONS MINIMUM NICKEL UNDER PLATE, REFERRED TO PLATING TYPE LIST IN TABLE;
SOLDER AREA: 1.27 MICRONS PURE TIN PLATED ON 1.25 MICRONS MINIMUM NICKEL UNDER PLATE, REFERRED TO REMARK IN TABLE.
 - PRODUCT SPECIFICATION REFER TO PS-67490-001.
 - MATING PART: 67489.
 - PRODUCT COMPLIANT TO RoHS DIRECTIVE 2002/95/EC AND ELV 2000/53/EC.

E

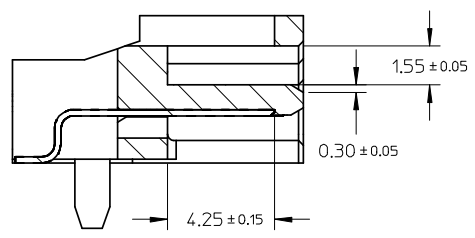
D



SECTION A-A



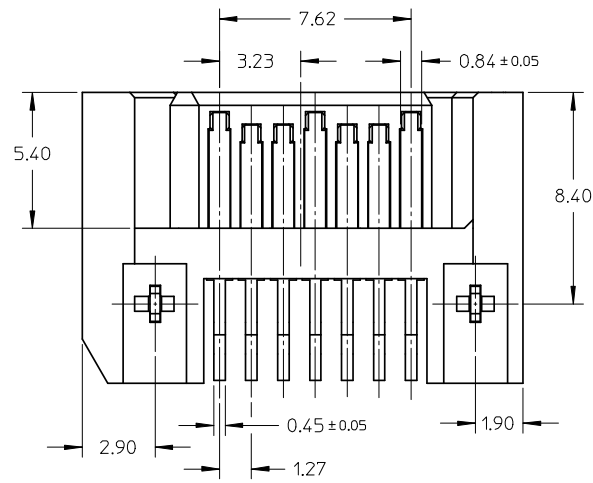
SECTION B-B



SECTION C-C

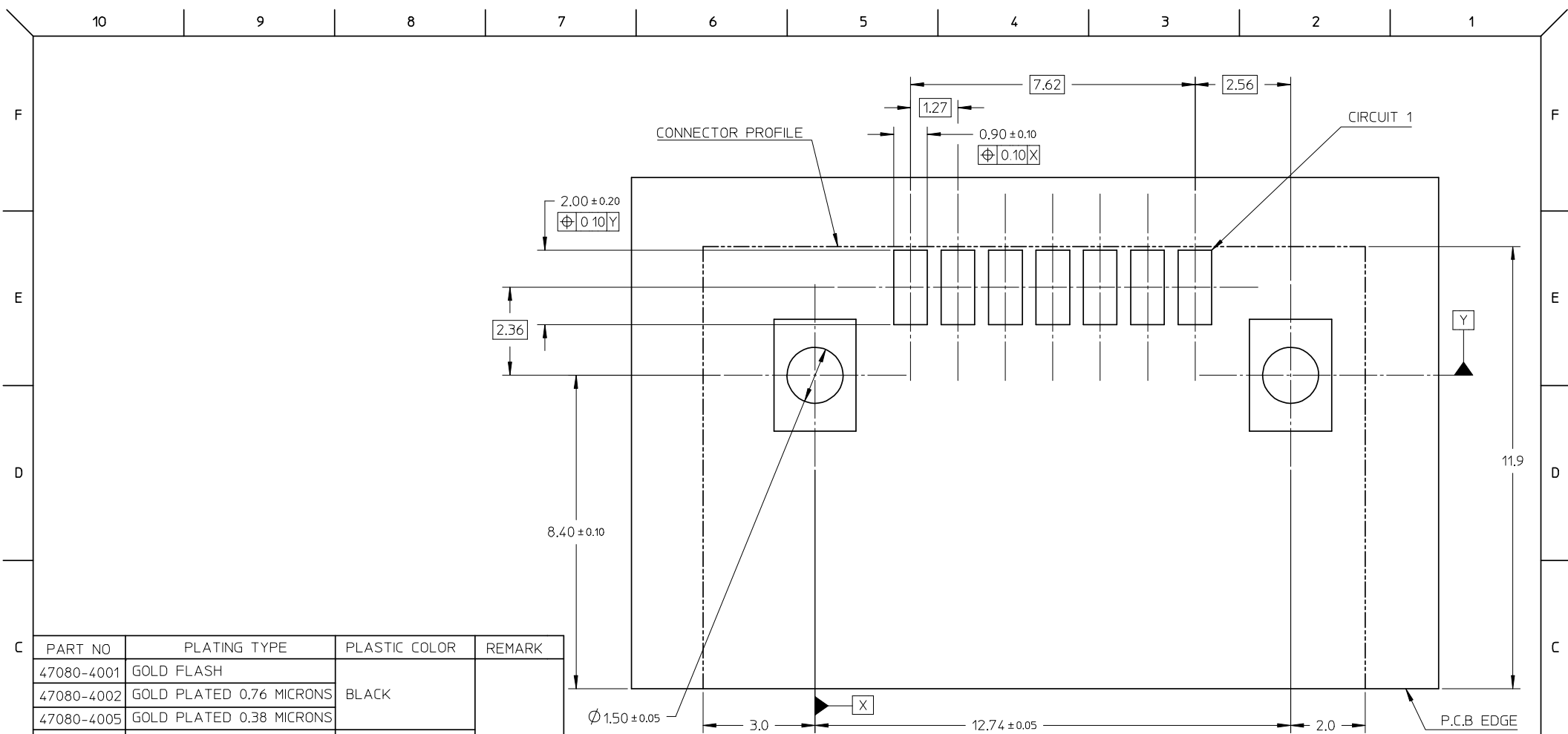
C

B



A

UPDATE DRAWING EC NO: SHZ009-0041 DRWNL:SONG09 2008/08/06 CHKD:XJ:SONG 2008/08/07 APPR:HWANG 2008/08/26	QUALITY SYMBOLS ▽=0 ◻=0	GENERAL TOLERANCES (UNLESS SPECIFIED)		DIMENSION STYLE MM ONLY		SCALE 1:1	DESIGN UNITS METRIC	THIRD ANGLE PROJECTION	
			mm	INCH	DRAWN BY	DATE	TITLE SATA SYSTEM PLUG PEG INSERT TYPE WITH SHROUD		
		4 PLACES	± ---	± ---	GRATE MA	2004/06/14			
		3 PLACES	± ---	± ---	CHECKED BY	DATE	MOLEX INCORPORATED DOCUMENT NO. SD-47080-001 SHEET NO. 1 OF 2		
2 PLACES	± 0.15	± ---	GRATE MA	2004/06/14					
1 PLACE	± 0.25	± ---	APPROVED BY	DATE	THIS DRAWING CONTAINS INFORMATION THAT IS PROPRIETARY TO MOLEX INCORPORATED AND SHOULD NOT BE USED WITHOUT WRITTEN PERMISSION				
ANGULAR ± 1°			VINCENT	2004/06/14					
DRAFT WHERE APPLICABLE MUST REMAIN WITHIN DIMENSIONS		SEE SHEET 2		MATERIAL NO.					



RECOMMENDED P.C.B LAYOUT
THICKNESS: 1.60+/- 0.05

PART NO	PLATING TYPE	PLASTIC COLOR	REMARK
47080-4001	GOLD FLASH	BLACK	BRIHGT TIN
47080-4002	GOLD PLATED 0.76 MICRONS		
47080-4005	GOLD PLATED 0.38 MICRONS		
47080-5001	GOLD FLASH	NATURE COLOR	BRIHGT TIN
47080-5002	GOLD PLATED 0.76 MICRONS		
47080-5005	GOLD PLATED 0.38 MICRONS		
47080-6001	GOLD FLASH	PROCESS BLUE C DELTA E<3	MATTE TIN
47080-6002	GOLD PLATED 0.76 MICRONS		
47080-6005	GOLD PLATED 0.38 MICRONS		
47080-1010	GOLD FLASH	BLACK	MATTE TIN
47080-1020	GOLD PLATED 0.76 MICRONS		
47080-1030	GOLD PLATED 0.38 MICRONS		
47080-2010	GOLD FLASH	NATURE COLOR	MATTE TIN
47080-2020	GOLD PLATED 0.76 MICRONS		
47080-2030	GOLD PLATED 0.38 MICRONS		
47080-3010	GOLD FLASH	PROCESS BLUE C DELTA E<3	MATTE TIN
47080-3020	GOLD PLATED 0.76 MICRONS		
47080-3030	GOLD PLATED 0.38 MICRONS		

UPDATE DRAWING
EC NO: SH2009-0041
DRAWN: SONG 2008/08/06
CHKD: XJ SONG 2008/08/07
APPR: HWANG 2008/08/26

QUALITY SYMBOLS
▽=0
▽=0

GENERAL TOLERANCES (UNLESS SPECIFIED)

	mm	INCH
4 PLACES	± ---	± ---
3 PLACES	± ---	± ---
2 PLACES	± 0.15	± ---
1 PLACE	± 0.25	± ---
ANGULAR ± 1 °		

DRAFT WHERE APPLICABLE
MUST REMAIN
WITHIN DIMENSIONS

DIMENSION STYLE
MM ONLY

DRAWN BY	DATE
GRATE MA	2004/06/14
CHECKED BY	DATE
GRATE MA	2004/06/14
APPROVED BY	DATE
VINCENT	2004/06/14

MATERIAL NO. SEE TABLE

SCALE 1:1
DESIGN UNITS METRIC
THIRD ANGLE PROJECTION

TITLE
SATA SYSTEM PLUG
PEG INSERT TYPE
WITH SHROUD

molex MOLEX INCORPORATED

DOCUMENT NO. SD-47080-001
SHEET NO. 2 OF 2

THIS DRAWING CONTAINS INFORMATION THAT IS PROPRIETARY TO MOLEX INCORPORATED AND SHOULD NOT BE USED WITHOUT WRITTEN PERMISSION