

# SLA1008

T-43-24

## Diode Array

### Maximum Ratings

(Ta = 25°C)

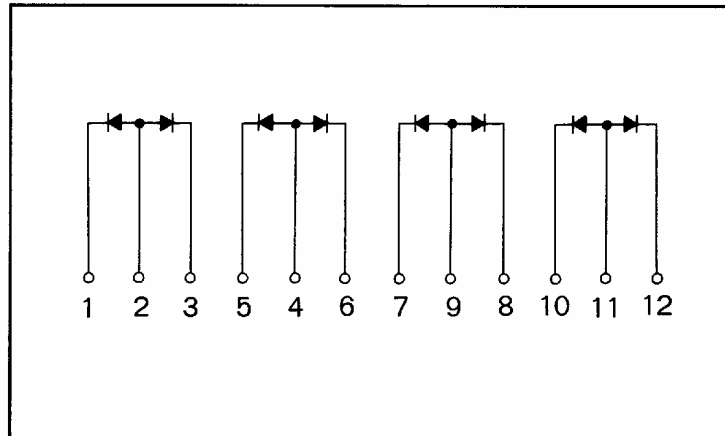
Item	Symbol	Rating	Unit
Forward Current	$I_o$	0.7(Ta = 25°C)	A
Forward Current	$I_o$	2.5(Tc = 25°C)	A
Peak Forward Current	$I_{FSM}$	8(Pw ≤ 1ms, Single)	A
Reverse Voltage	$V_R$	120	V
Total Power Dissipation	$P_T$	5 (Ta = 25°C)	W
		25 (Tc = 25°C)	
Insulation Breakdown Voltage	$V_{iso}$	1000 (between fin and lead pin, AC)	Vrms
Storage Temperature	$T_{stg}$	-40 ~ +150	°C
Thermal Resistance	$\theta_{j-c}$	5	°C/W

### Electrical Characteristics

(Ta = 25°C)

Item	Symbol	Conditions	Specification			Unit
			min	typ	max	
Reverse Voltage	$V_R$	$I_R = 10\mu A$	120			V
Forward Voltage	$V_F$	$I_F = 1A$			1.2	V
Reverse Current	$I_R$	$V_R = 120V$			10	$\mu A$
Reverse Recovery Time	$t_{rr}$	$I_F \pm 100mA$		100		ns

### Equivalent Circuit Diagram

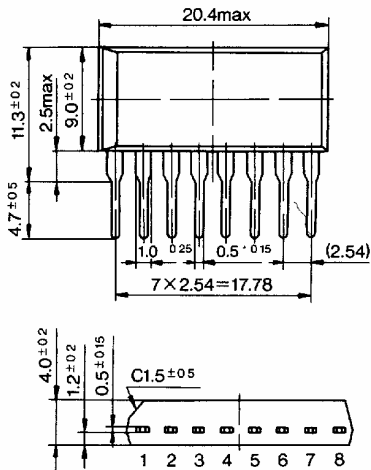


# Notes on using products

## Outline Drawings (Unit:in mm)

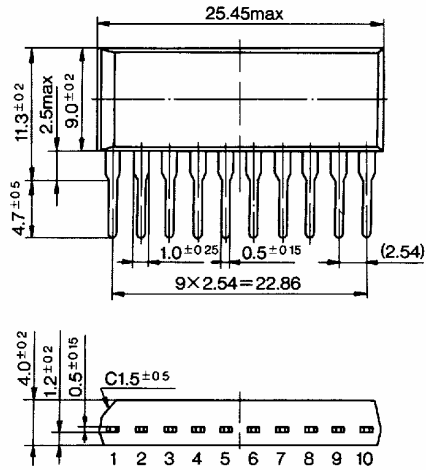
### STA Family

#### STA300 Series



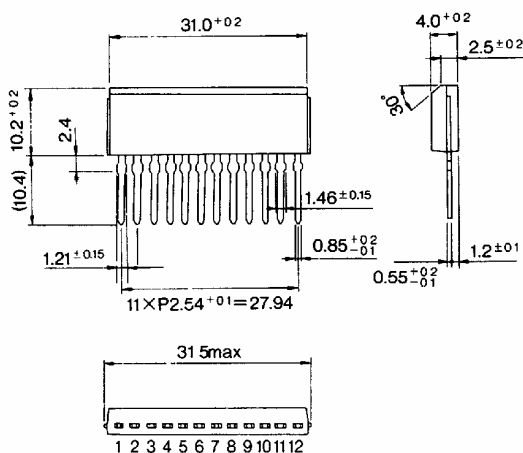
Weight Approx. 2.0g

#### STA400 Series



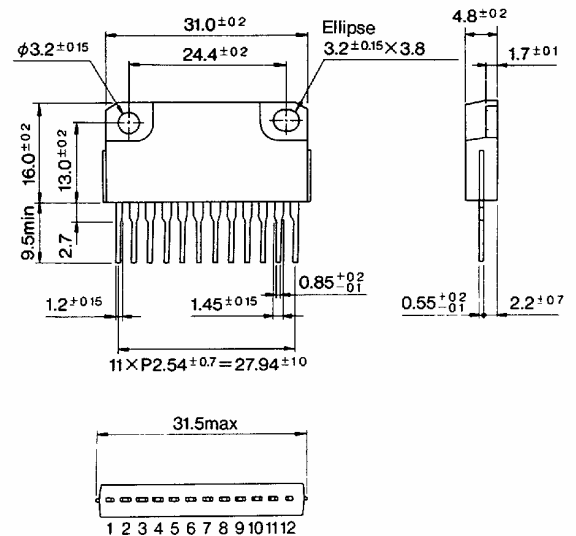
Weight Approx. 2.6g

### SMA Family



Weight Approx. 4.0g

### SLA Family



Weight Approx. 6.0g