

MOS INTEGRATED CIRCUIT

μ PD4481162, 4481182, 4481322, 4481362

8M-BIT ZEROSB™ SRAM PIPELINED OPERATION

Description

The μ PD4481162 is a 524,288-word by 16-bit, the μ PD4481182 is a 524,288-word by 18-bit, the μ PD4481322 is a 262,144-word by 32-bit and the μ PD4481362 is a 262,144-word by 36-bit ZEROSB static RAM fabricated with advanced CMOS technology using full CMOS six-transistor memory cell.

The μ PD4481162, μ PD4481182, μ PD4481322 and μ PD4481362 are optimized to eliminate dead cycles for read to write, or write to read transitions. These ZEROSB static RAMs integrate unique synchronous peripheral circuitry, 2-bit burst counter and output buffer as well as SRAM core. All input registers are controlled by a positive edge of the single clock input (CLK).

The μ PD4481162, μ PD4481182, μ PD4481322 and μ PD4481362 are suitable for applications which require synchronous operation, high speed, low voltage, high density and wide bit configuration, such as buffer memory.

ZZ has to be set LOW at the normal operation. When ZZ is set HIGH, the SRAM enters Power Down State ("Sleep"). In the "Sleep" state, the SRAM internal state is preserved. When ZZ is set LOW again, the SRAM resumes normal operation.

The μ PD4481162, μ PD4481182, μ PD4481322 and μ PD4481362 are packaged in 100-pin PLASTIC LQFP with a 1.4 mm package thickness for high density and low capacitive loading.

Features

- ★ • Low voltage core supply : $V_{DD} = 3.3 \pm 0.165 \text{ V}$ (-A44, -A50, -A60, -A75, -A44Y, -A50Y, -A60Y, -A75Y)
 $V_{DD} = 2.5 \pm 0.125 \text{ V}$ (-C60, -C75, -C60Y, -C75Y)
- Synchronous operation
- ★ • Operating temperature : $T_A = 0 \text{ to } 70 \text{ }^\circ\text{C}$ (-A44, -A50, -A60, -A75, -C60, -C75)
 $T_A = -40 \text{ to } +85 \text{ }^\circ\text{C}$ (-A44Y, -A50Y, -A60Y, -A75Y, -C60Y, -C75Y)
- 100 percent bus utilization
- Internally self-timed write control
- Burst read / write : Interleaved burst and linear burst sequence
- Fully registered inputs and outputs for pipelined operation
- All registers triggered off positive clock edge
- 3.3V or 2.5V LVTTL Compatible : All inputs and outputs
- Fast clock access time : 2.8 ns (225 MHz), 3.2 ns (200 MHz), 3.5 ns (167 MHz) , 4.2 ns (133 MHz)
- Asynchronous output enable : /G
- Burst sequence selectable : MODE
- Sleep mode : ZZ (ZZ = Open or Low : Normal operation)
- Separate byte write enable : /BW1 to /BW4 (μ PD4481322 and μ PD4481362)
/BW1 and /BW2 (μ PD4481162 and μ PD4481182)
- Three chip enables for easy depth expansion
- Common I/O using three state outputs

The information in this document is subject to change without notice. Before using this document, please confirm that this is the latest version.
Not all products and/or types are available in every country. Please check with an NEC Electronics sales representative for availability and additional information.

★ Ordering Information

(1/2)

Part number	Access Time ns	Clock Frequency MHz	Core Supply Voltage V	I/O Interface	Operating Temperature °C	Package
μPD4481162GF-A44	2.8	225	3.3 ± 0.165	3.3 V LVTTTL ^{Note}	0 to 70	100-pin PLASTIC LQFP (14 x 20)
μPD4481162GF-A50	3.2	200		3.3 V or 2.5 V LVTTTL		
μPD4481162GF-A60	3.5	167				
μPD4481162GF-A75	4.2	133				
μPD4481182GF-A44	2.8	225		3.3 V LVTTTL ^{Note}		
μPD4481182GF-A50	3.2	200		3.3 V or 2.5 V LVTTTL		
μPD4481182GF-A60	3.5	167				
μPD4481182GF-A75	4.2	133				
μPD4481322GF-A44	2.8	225		3.3 V LVTTTL ^{Note}		
μPD4481322GF-A50	3.2	200		3.3 V or 2.5 V LVTTTL		
μPD4481322GF-A60	3.5	167				
μPD4481322GF-A75	4.2	133				
μPD4481362GF-A44	2.8	225		3.3 V LVTTTL ^{Note}		
μPD4481362GF-A50	3.2	200		3.3 V or 2.5 V LVTTTL		
μPD4481362GF-A60	3.5	167				
μPD4481362GF-A75	4.2	133				
μPD4481162GF-C60	3.5	167	2.5 ± 0.125	2.5 V LVTTTL		
μPD4481162GF-C75	4.2	133				
μPD4481182GF-C60	3.5	167				
μPD4481182GF-C75	4.2	133				
μPD4481322GF-C60	3.5	167				
μPD4481322GF-C75	4.2	133				
μPD4481362GF-C60	3.5	167				
μPD4481362GF-C75	4.2	133				

Note Although 2.5V LVTTTL interface can also be used, a performance becomes equivalent to -A60 (167 MHz).

(2/2)

Part number	Access Time ns	Clock Frequency MHz	Core Supply Voltage V	I/O Interface	Operating Temperature °C	Package
μPD4481162GF-A44Y	2.8	225	3.3 ± 0.165	3.3 V LVTTTL ^{Note}	-40 to +85	100-pin PLASTIC LQFP (14 x 20)
μPD4481162GF-A50Y	3.2	200		3.3 V or 2.5 V LVTTTL		
μPD4481162GF-A60Y	3.5	167				
μPD4481162GF-A75Y	4.2	133		3.3 V LVTTTL ^{Note}		
μPD4481182GF-A44Y	2.8	225				
μPD4481182GF-A50Y	3.2	200				
μPD4481182GF-A60Y	3.5	167		3.3 V or 2.5 V LVTTTL		
μPD4481182GF-A75Y	4.2	133				
μPD4481322GF-A44Y	2.8	225		3.3 V LVTTTL ^{Note}		
μPD4481322GF-A50Y	3.2	200				
μPD4481322GF-A60Y	3.5	167				
μPD4481322GF-A75Y	4.2	133		3.3 V or 2.5 V LVTTTL		
μPD4481362GF-A44Y	2.8	225				
μPD4481362GF-A50Y	3.2	200		3.3 V LVTTTL ^{Note}		
μPD4481362GF-A60Y	3.5	167				
μPD4481362GF-A75Y	4.2	133				
μPD4481162GF-C60Y	3.5	167	2.5 ± 0.125	2.5 V LVTTTL		
μPD4481162GF-C75Y	4.2	133				
μPD4481182GF-C60Y	3.5	167				
μPD4481182GF-C75Y	4.2	133				
μPD4481322GF-C60Y	3.5	167				
μPD4481322GF-C75Y	4.2	133				
μPD4481362GF-C60Y	3.5	167				
μPD4481362GF-C75Y	4.2	133				

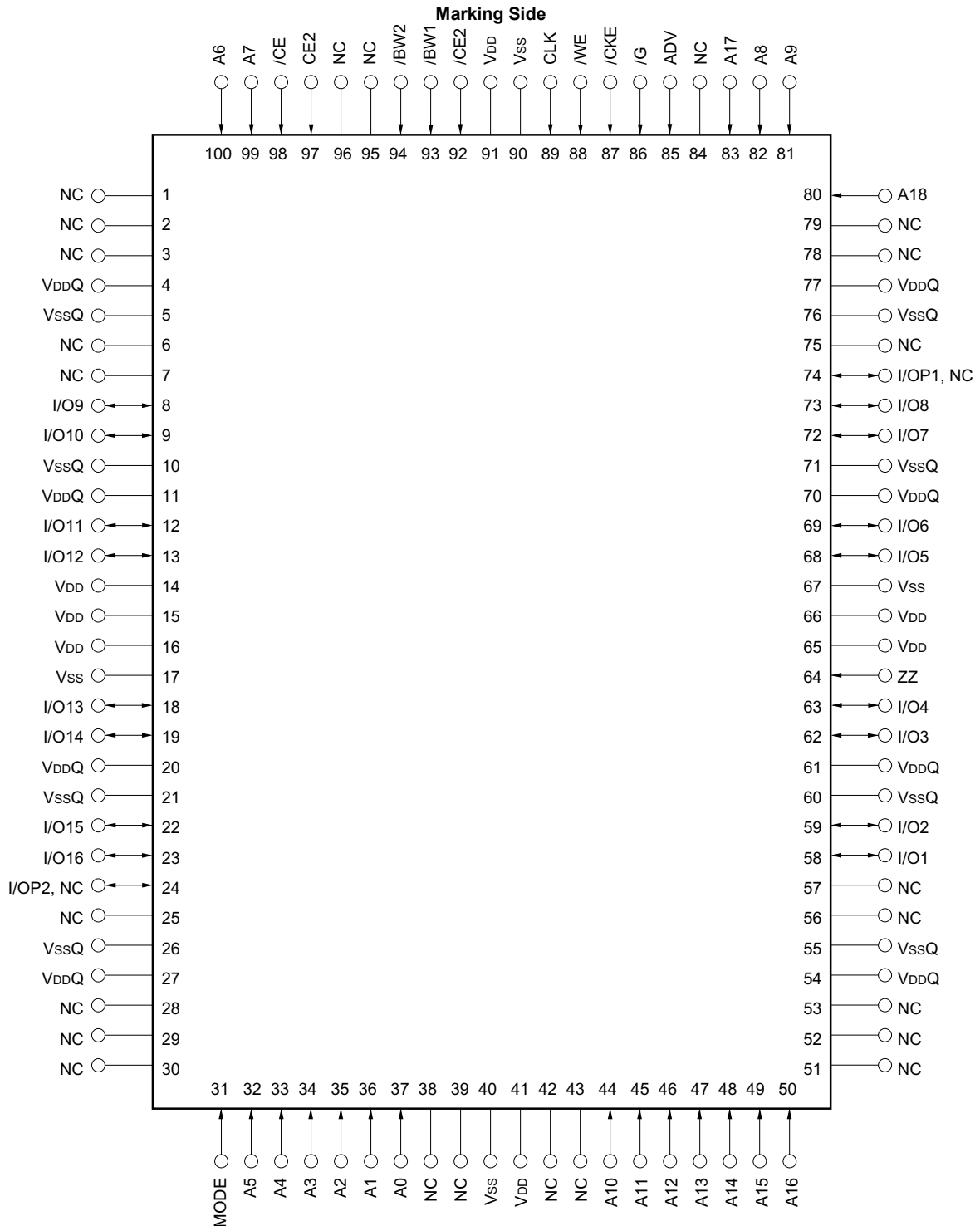
Note Although 2.5V LVTTTL interface can also be used, a performance becomes equivalent to -A60Y (167 MHz).

Pin Configurations

/xxx indicates active low signal.

100-pin PLASTIC LQFP (14 × 20)

[μPD4481162GF, μPD4481182GF]



Remark Refer to **Package Drawing** for the 1-pin index mark.

Pin Identifications

[μ PD4481162GF, μ PD4481182GF]

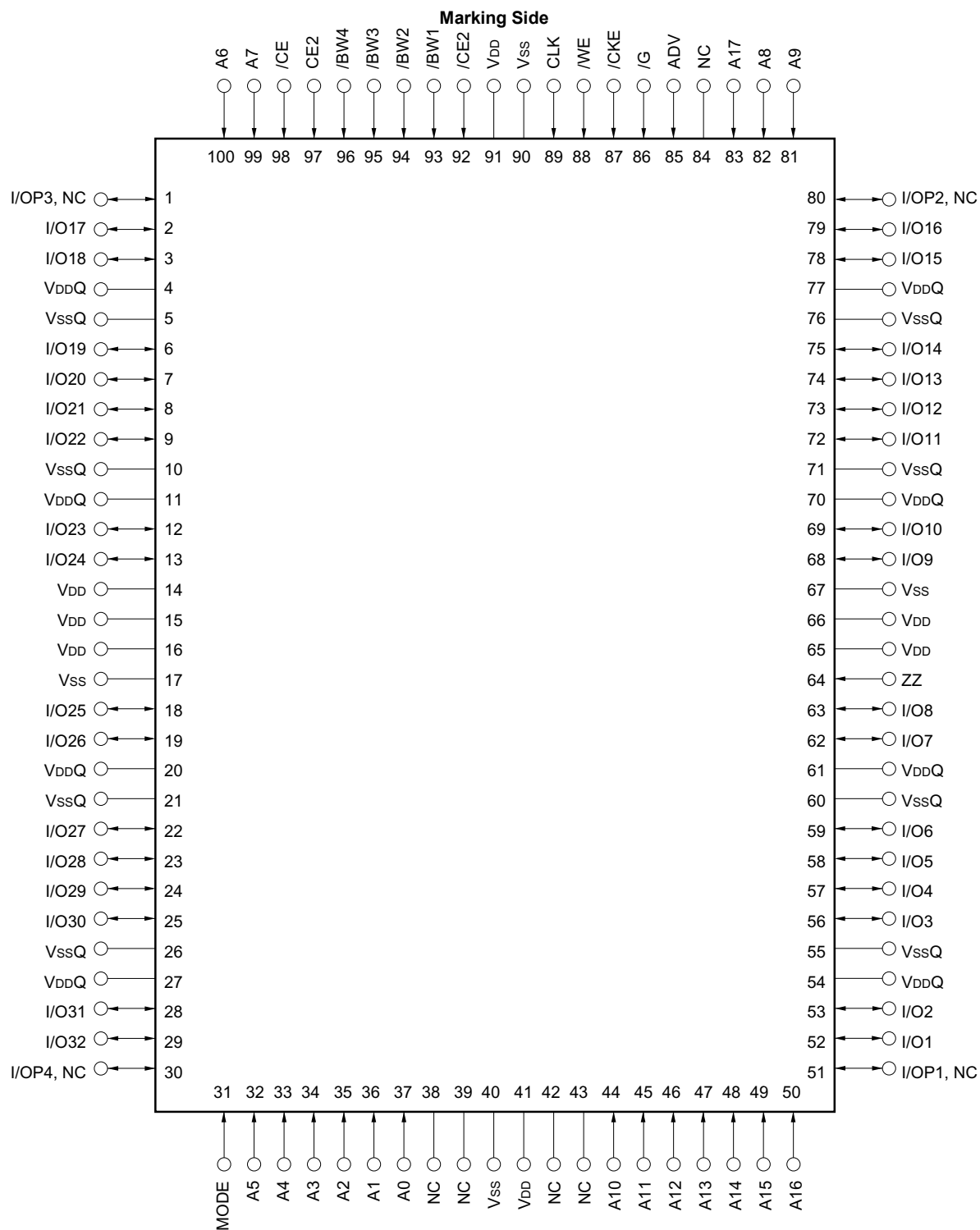
Symbol	Pin No.	Description
A0 to A18	37, 36, 35, 34, 33, 32, 100, 99, 82, 81, 44, 45, 46, 47, 48, 49, 50, 83, 80	Synchronous Address Input
I/O1 to I/O16	58, 59, 62, 63, 68, 69, 72, 73, 8, 9, 12, 13, 18, 19, 22, 23	Synchronous Data In, Synchronous / Asynchronous Data Out
I/OP1, NC ^{Note}	74	Synchronous Data In (Parity),
I/OP2, NC ^{Note}	24	Synchronous / Asynchronous Data Out (Parity)
ADV	85	Synchronous Address Load / Advance Input
/CE, CE2, /CE2	98, 97, 92	Synchronous Chip Enable Input
/WE	88	Synchronous Write Enable Input
/BW1, /BW2	93, 94	Synchronous Byte Write Enable Input
/G	86	Asynchronous Output Enable Input
CLK	89	Clock Input
/CKE	87	Synchronous Clock Enable Input
MODE	31	Asynchronous Burst Sequence Select Input Have to tied to V _{DD} or V _{SS} during normal operation
ZZ	64	Asynchronous Power Down State Input
V _{DD}	14, 15, 16, 41, 65, 66, 91	Power Supply
V _{SS}	17, 40, 67, 90	Ground
V _{DDQ}	4, 11, 20, 27, 54, 61, 70, 77	Output Buffer Power Supply
V _{SSQ}	5, 10, 21, 26, 55, 60, 71, 76	Output Buffer Ground
NC	1, 2, 3, 6, 7, 25, 28, 29, 30, 38, 39, 42, 43, 51, 52, 53, 56, 57, 75, 78, 79, 84, 95, 96	No Connection

Note NC (No Connection) is used in the μ PD4481162GF.

I/OP1 and I/OP2 are used in the μ PD4481182GF.

100-pin PLASTIC LQFP (14 × 20)

[μPD4481322GF, μPD4481362GF]



Remark Refer to **Package Drawing** for the 1-pin index mark.

[μ PD4481322GF, μ PD4481362GF]

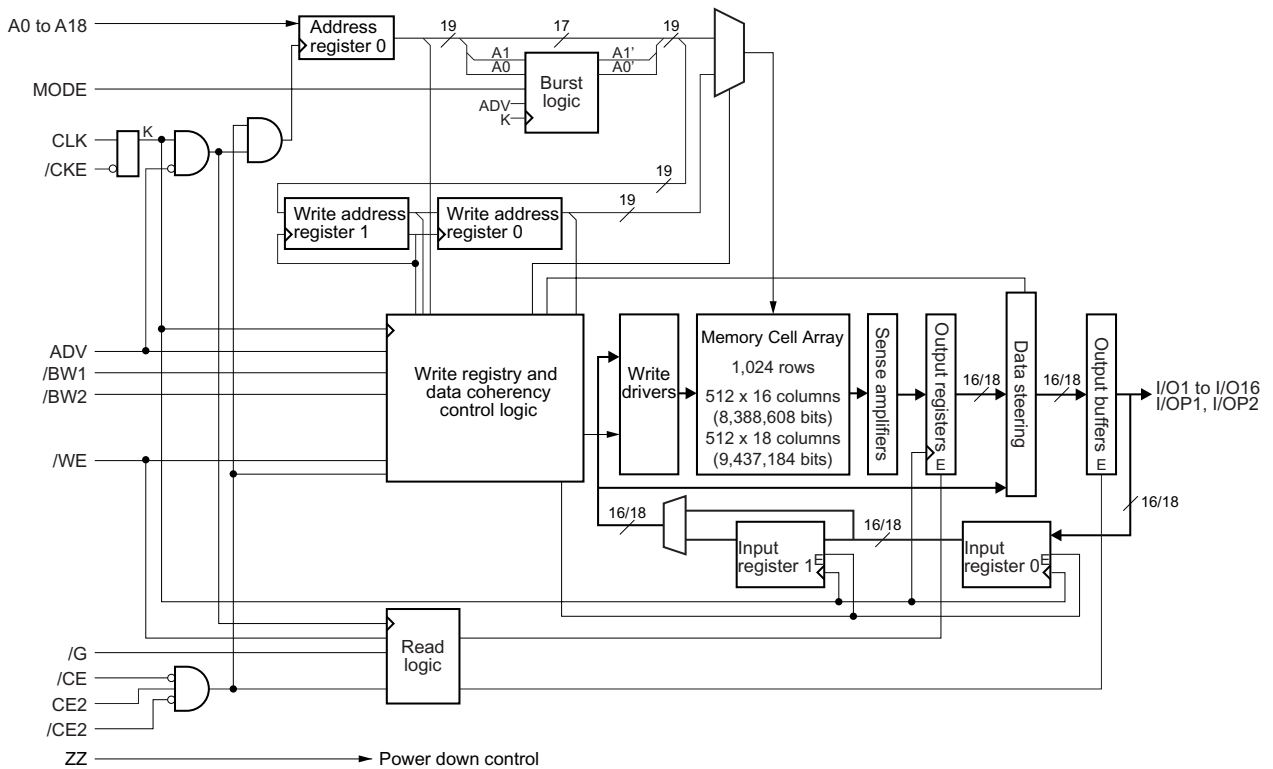
Symbol	Pin No.	Description
A0 to A17	37, 36, 35, 34, 33, 32, 100, 99, 82, 81, 44, 45, 46, 47, 48, 49, 50, 83	Synchronous Address Input
I/O1 to I/O32	52, 53, 56, 57, 58, 59, 62, 63, 68, 69, 72, 73, 74, 75, 78, 79, 2, 3, 6, 7, 8, 9, 12, 13, 18, 19, 22, 23, 24, 25, 28, 29	Synchronous Data In, Synchronous / Asynchronous Data Out
I/OP1, NC ^{Note}	51	Synchronous Data In (Parity), Synchronous / Asynchronous Data Out (Parity)
I/OP2, NC ^{Note}	80	
I/OP3, NC ^{Note}	1	
I/OP4, NC ^{Note}	30	
ADV	85	Synchronous Address Load / Advance Input
/CE, CE2, /CE2	98, 97, 92	Synchronous Chip Enable Input
/WE	88	Synchronous Write Enable Input
/BW1 to /BW4	93, 94, 95, 96	Synchronous Byte Write Enable Input
/G	86	Asynchronous Output Enable Input
CLK	89	Clock Input
/CKE	87	Synchronous Clock Enable Input
MODE	31	Asynchronous Burst Sequence Select Input Have to tied to V _{DD} or V _{SS} during normal operation
ZZ	64	Asynchronous Power Down State Input
V _{DD}	14, 15, 16, 41, 65, 66, 91	Power Supply
V _{SS}	17, 40, 67, 90	Ground
V _{DDQ}	4, 11, 20, 27, 54, 61, 70, 77	Output Buffer Power Supply
V _{SSQ}	5, 10, 21, 26, 55, 60, 71, 76	Output Buffer Ground
NC	38, 39, 42, 43, 84	No Connection

Note NC (No Connection) is used in the μ PD4481322GF.

I/OP1 to I/OP4 are used in the μ PD4481362GF.

Block Diagrams

[μPD4481162, μPD4481182]



Burst Sequence

[μPD4481162, μPD4481182]

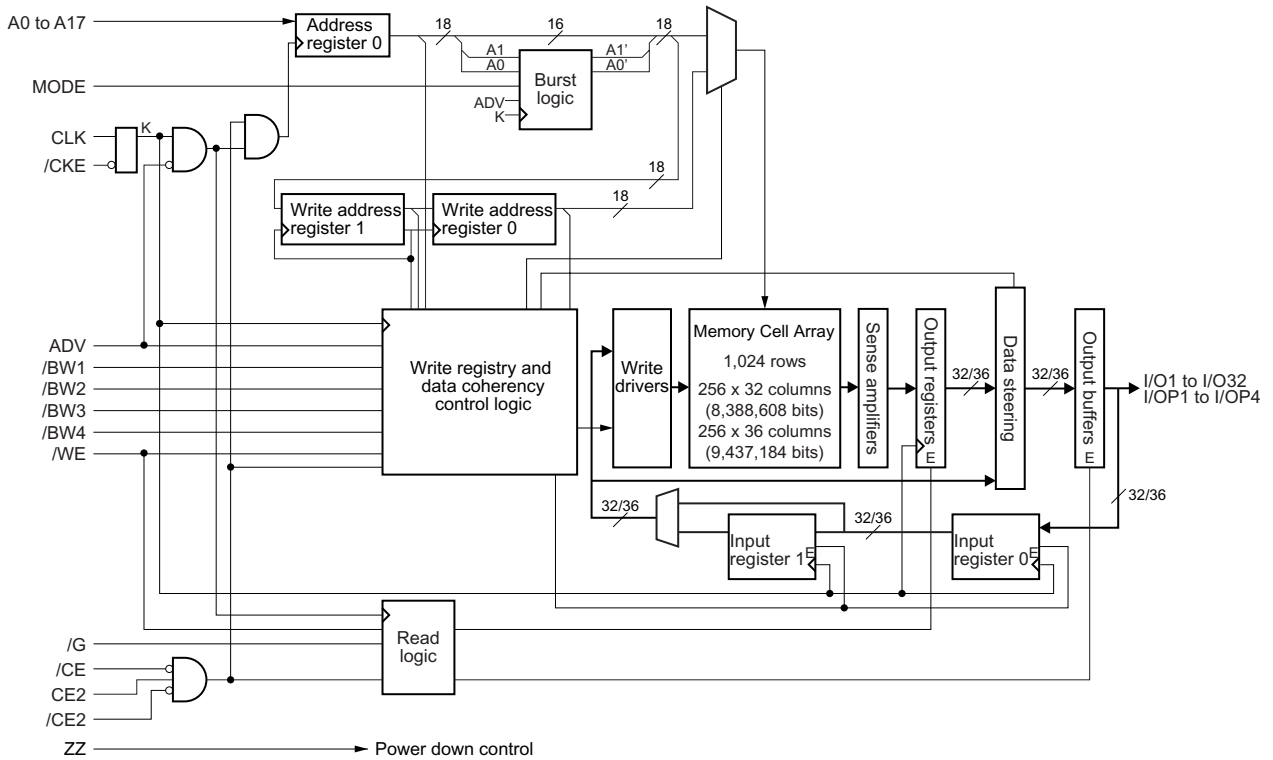
Interleaved Burst Sequence Table (MODE = V_{DD})

External Address	A18 to A2, A1, A0
1st Burst Address	A18 to A2, A1, /A0
2nd Burst Address	A18 to A2, /A1, A0
3rd Burst Address	A18 to A2, /A1, /A0

Linear Burst Sequence Table (MODE = V_{SS})

External Address	A18 to A2, 0, 0	A18 to A2, 0, 1	A18 to A2, 1, 0	A18 to A2, 1, 1
1st Burst Address	A18 to A2, 0, 1	A18 to A2, 1, 0	A18 to A2, 1, 1	A18 to A2, 0, 0
2nd Burst Address	A18 to A2, 1, 0	A18 to A2, 1, 1	A18 to A2, 0, 0	A18 to A2, 0, 1
3rd Burst Address	A18 to A2, 1, 1	A18 to A2, 0, 0	A18 to A2, 0, 1	A18 to A2, 1, 0

[μPD4481322, μPD4481362]



[μPD4481322, μPD4481362]

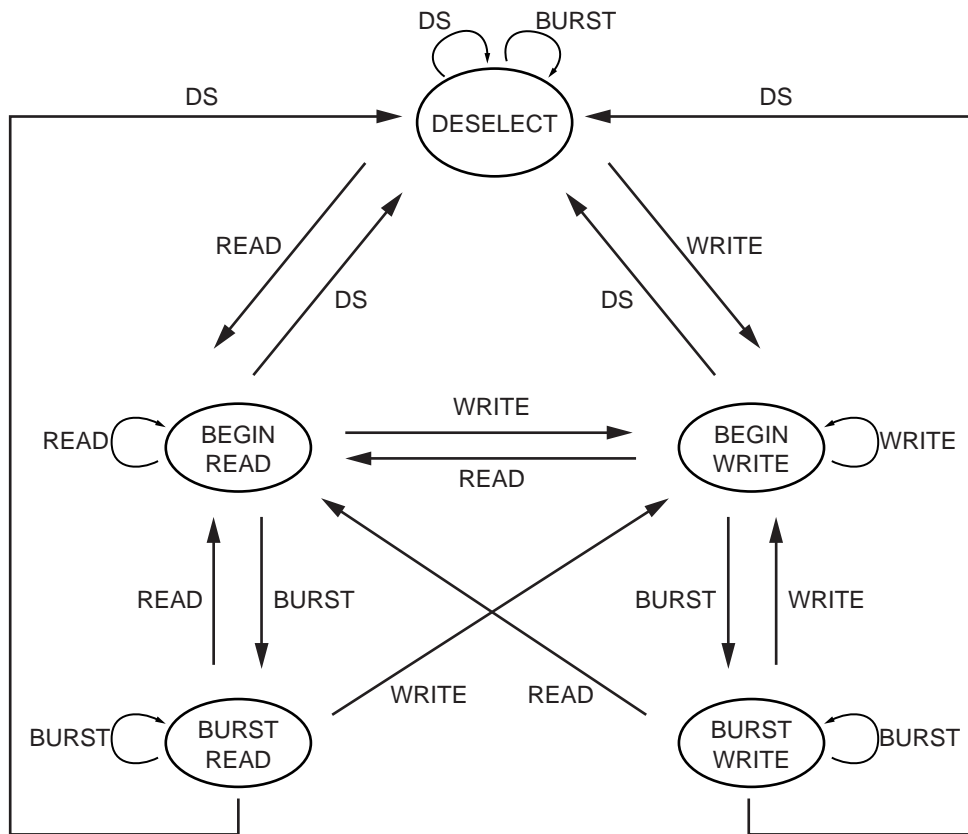
Interleaved Burst Sequence Table (MODE = V_{DD})

External Address	A17 to A2, A1, A0
1st Burst Address	A17 to A2, A1, /A0
2nd Burst Address	A17 to A2, /A1, A0
3rd Burst Address	A17 to A2, /A1, /A0

Linear Burst Sequence Table (MODE = V_{SS})

External Address	A17 to A2, 0, 0	A17 to A2, 0, 1	A17 to A2, 1, 0	A17 to A2, 1, 1
1st Burst Address	A17 to A2, 0, 1	A17 to A2, 1, 0	A17 to A2, 1, 1	A17 to A2, 0, 0
2nd Burst Address	A17 to A2, 1, 0	A17 to A2, 1, 1	A17 to A2, 0, 0	A17 to A2, 0, 1
3rd Burst Address	A17 to A2, 1, 1	A17 to A2, 0, 0	A17 to A2, 0, 1	A17 to A2, 1, 0

State Diagram



Command	Operation
DS	Deselect
Read	New Read
Write	New Write
Burst	Burst Read, Burst Write or Continue Deselect

- Remarks**
- States change on the rising edge of the clock.
 - A Stall or Ignore Clock Edge cycle is not shown in the above diagram. This is because /CKE HIGH only blocks the clock (CLK) input and does not change the state of the device.

Asynchronous Truth Table

Operation	/G	I/O
Read Cycle	L	Dout
Read Cycle	H	High-Z
Write Cycle	×	High-Z, Din
Deselected	×	High-Z

Remark × : don't care

Synchronous Truth Table

Operation	/CE	CE2	/CE2	ADV	/WE	/BWs	/CKE	CLK	I/O	Address	Note
Deselected	H	×	×	L	×	×	L	L → H	High-Z	None	1
Deselected	×	L	×	L	×	×	L	L → H	High-Z	None	1
Deselected	×	×	H	L	×	×	L	L → H	High-Z	None	1
Continue Deselected	×	×	×	H	×	×	L	L → H	High-Z	None	1
Read Cycle / Begin Burst	L	H	L	L	H	×	L	L → H	Dout	External	
Read Cycle / Continue Burst	×	×	×	H	×	×	L	L → H	Dout	Next	
Write Cycle / Begin Burst	L	H	L	L	L	L	L	L → H	Din	External	
Write Cycle / Continue Burst	×	×	×	H	×	L	L	L → H	Din	Next	
Write Cycle / Write Abort	L	H	L	L	L	H	L	L → H	High-Z	External	
Write Cycle / Write Abort	×	×	×	H	×	H	L	L → H	High-Z	Next	
Stall / Ignore Clock Edge	×	×	×	×	×	×	H	L → H	–	Current	2

- Notes**
1. Deselect status is held until new "Begin Burst" entry.
 2. If an Ignore Clock Edge command occurs during a read operation, the I/O bus will remain active (low impedance). If it occurs during a write cycle, the bus will remain high impedance. No write operation will be performed during the Ignore Clock Edge cycle.

- Remarks**
1. × : don't care
 2. /BWs = L means any one or more byte write enables (/BW1, /BW2, /BW3 or /BW4) are LOW.
/BWs = H means all byte write enables (/BW1, /BW2, /BW3 or /BW4) are HIGH.

Partial Truth Table for Write Enables

[μPD4481162, μPD4481182]

Operation	/WE	/BW1	/BW2
Read Cycle	H	×	×
Write Cycle / Byte 1 (I/O [1:8], I/OP1)	L	L	H
Write Cycle / Byte 2 (I/O [9:16], I/OP2)	L	H	L
Write Cycle / All Bytes	L	L	L
Write Abort / NOP	L	H	H

Remark × : don't care

[μPD4481322, μPD4481362]

Operation	/WE	/BW1	/BW2	/BW3	/BW4
Read Cycle	H	×	×	×	×
Write Cycle / Byte 1 (I/O [1:8], I/OP1)	L	L	H	H	H
Write Cycle / Byte 2 (I/O [9:16], I/OP2)	L	H	L	H	H
Write Cycle / Byte 3 (I/O [17:24], I/OP3)	L	H	H	L	H
Write Cycle / Byte 4 (I/O [25:32], I/OP4)	L	H	H	H	L
Write Cycle / All Bytes	L	L	L	L	L
Write Abort / NOP	L	H	H	H	H

Remark × : don't care

ZZ (Sleep) Truth Table

ZZ	Chip Status
≤ 0.2 V	Active
Open	Active
≥ V _{DD} - 0.2 V	Sleep

Electrical Specifications

Absolute Maximum Ratings

Parameter	Symbol	Conditions	MIN.	TYP.	MAX.	Unit
★ Supply voltage	V _{DD}	-A44, -A50, -A60, -A75	-0.5		+4.0	V
		-A44Y, -A50Y, -A60Y, -A75Y				
		-C60, -C75	-0.5		+3.0	
		-C60Y, -C75Y				
Output supply voltage	V _{DDQ}		-0.5		V _{DD}	V
Input voltage	V _{IN}		-0.5 <small>Note</small>		V _{DD} + 0.5	V
Input / Output voltage	V _{I/O}		-0.5 <small>Note</small>		V _{DDQ} + 0.5	V
★ Operating ambient temperature	T _A	-A44, -A50, -A60, -A75, -C60, -C75	0		70	°C
		-A44Y, -A50Y, -A60Y, -A75Y, -C60Y, -C75Y	-40		+85	
Storage temperature	T _{stg}		-55		+125	°C

Note -2.0 V (MIN.) (Pulse width : 2 ns)

Caution Exposing the device to stress above those listed in Absolute Maximum Ratings could cause permanent damage. The device is not meant to be operated under conditions outside the limits described in the operational section of this specification. Exposure to Absolute Maximum Rating conditions for extended periods may affect device reliability.

Recommended DC Operating Conditions

(1/2)

★ Parameter	Symbol	Conditions	-A44, -A50, -A60, -A75 -A44Y, -A50Y, -A60Y, -A75Y			Unit
			MIN.	TYP.	MAX.	
			Supply voltage	V _{DD}		
2.5 V LVTTTL Interface						
Output supply voltage	V _{DDQ}		2.375	2.5	2.9	V
High level input voltage	V _{IH}		1.7		V _{DDQ} + 0.3	V
Low level input voltage	V _{IL}		-0.3 <small>Note</small>		+0.7	V
3.3 V LVTTTL Interface						
Output supply voltage	V _{DDQ}		3.135	3.3	3.465	V
High level input voltage	V _{IH}		2.0		V _{DDQ} + 0.3	V
Low level input voltage	V _{IL}		-0.3 <small>Note</small>		+0.8	V

Note -0.8 V (MIN.) (Pulse width : 2 ns)

Recommended DC Operating Conditions

(2/2)

★ Parameter	Symbol	Conditions	-C60, -C75 -C60Y, -C75Y			Unit
			MIN.	TYP.	MAX.	
			Supply voltage	V _{DD}		
Output supply voltage	V _{DDQ}		2.375	2.5	2.625	V
High level input voltage	V _{IH}		1.7		V _{DDQ} + 0.3	V
Low level input voltage	V _{IL}		-0.3 <small>Note</small>		+0.7	V

Note -0.8 V (MIN.) (Pulse width : 2 ns)

DC Characteristics (V_{DD} = 3.3 ± 0.165 V or 2.5 ± 0.125 V)

Parameter	Symbol	Test condition	MIN.	TYP.	MAX.	Unit
Input leakage current	I _{LI}	V _{IN} (except ZZ, MODE) = 0 V to V _{DD}	-2		+2	μA
I/O leakage current	I _{LO}	V _{I/O} = 0 V to V _{DDQ} , Outputs are disabled.	-2		+2	μA
★ Operating supply current	I _{DD}	Device selected, Cycle = MAX. V _{IN} ≤ V _{IL} or V _{IN} ≥ V _{IH} , I _{I/O} = 0 mA				
		-A44 -A44Y			440	mA
		-A50 -A50Y			400	
		-A60, -C60 -A60Y, -C60Y			320	
		-A75, -C75 -A75Y, -C75Y			300	
Standby supply current	I _{SB}	Device deselected, Cycle = 0 MHz, V _{IN} ≤ V _{IL} or V _{IN} ≥ V _{IH} , All inputs are static.			30	mA
	I _{SB1}	Device deselected, Cycle = 0 MHz, V _{IN} ≤ 0.2 V or V _{IN} ≥ V _{DD} - 0.2 V, V _{I/O} ≤ 0.2 V, All inputs are static.			15	
	I _{SB2}	Device deselected, Cycle = MAX. V _{IN} ≤ V _{IL} or V _{IN} ≥ V _{IH}			130	
Power down supply current	I _{SBZZ}	ZZ ≥ V _{DD} - 0.2 V, V _{I/O} ≤ V _{DDQ} + 0.2 V			15	mA
2.5 V LVTTTL Interface						
High level output voltage	V _{OH}	I _{OH} = -2.0 mA	1.7			V
		I _{OH} = -1.0 mA	2.1			
Low level output voltage	V _{OL}	I _{OL} = +2.0 mA			0.7	V
		I _{OL} = +1.0 mA			0.4	
3.3 V LVTTTL Interface						
High level output voltage	V _{OH}	I _{OH} = -4.0 mA	2.4			V
Low level output voltage	V _{OL}	I _{OL} = +8.0 mA			0.4	V

Capacitance (T_A = 25 °C, f = 1MHz)

Parameter	Symbol	Test condition	MIN.	TYP.	MAX.	Unit
Input capacitance	C _{IN}	V _{IN} = 0 V			6.0	pF
Input / Output capacitance	C _{I/O}	V _{I/O} = 0 V			8.0	pF
Clock input capacitance	C _{clk}	V _{clk} = 0 V			6.0	pF

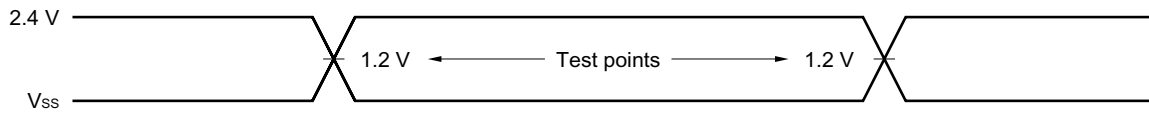
Remark These parameters are periodically sampled and not 100% tested.

AC Characteristics ($V_{DD} = 3.3 \pm 0.165 \text{ V}$ or $2.5 \pm 0.125 \text{ V}$)

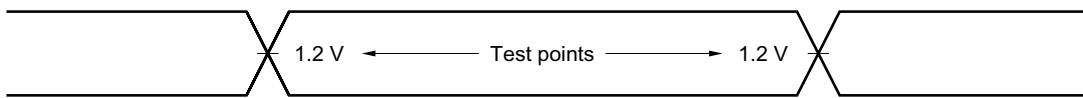
AC Test Conditions

2.5 V LVTTTL Interface

Input waveform (Rise / Fall time $\leq 2.4 \text{ ns}$)

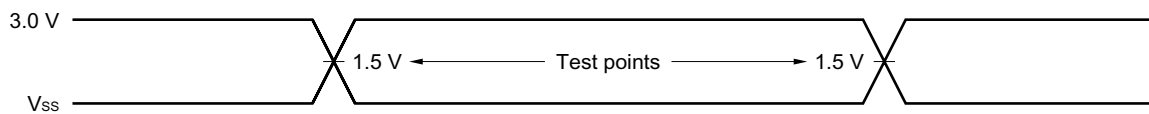


Output waveform

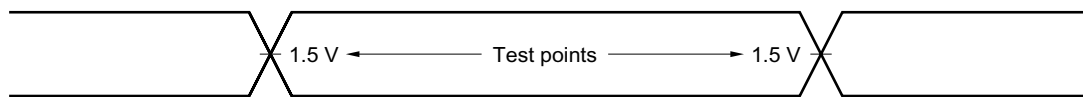


3.3 V LVTTTL Interface

Input waveform (Rise / Fall time $\leq 3.0 \text{ ns}$)



Output waveform

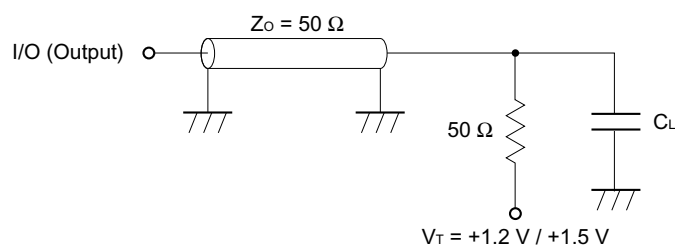


Output load condition

C_L : 30 pF

5 pF (TKHQX1, TKHQX2, TGLQX, TGHQZ, TKHQZ)

Figure External load at test



Remark C_L includes capacitances of the probe and jig, and stray capacitances.

Read and Write Cycle (2.5 V LVTTTL Interface)

Parameter	Symbol		-A44, -A50, -A60, -C60 -A44Y, -A50Y, -A60Y, -C60Y (167 MHz)		-A75, -C75 -A75Y, -C75Y (133 MHz)		Unit	Notes
	Standard	Alias	MIN.	MAX.	MIN.	MAX.		
Cycle time	TKHKH	TCYC	6	–	7.5	–	ns	
Clock access time	TKHQV	TCD	–	3.5	–	4.2	ns	
Output enable access time	TGLQV	TOE	–	3.5	–	4.2	ns	
Clock high to output active	TKHQX1	TDC1	1.5	–	1.5	–	ns	1, 2
Clock high to output change	TKHQX2	TDC2	1.5	–	1.5	–	ns	
Output enable to output active	TGLQX	TOLZ	0	–	0	–	ns	1
Output disable to output High-Z	TGHQZ	TOHZ	0	3.5	0	4.2	ns	1
Clock high to output High-Z	TKHQZ	TCZ	1.5	3.5	1.5	3.5	ns	1, 2
Clock high pulse width	TKHKL	TCH	1.8	–	2.2	–	ns	
Clock low pulse width	TKLKH	TCL	1.8	–	2.2	–	ns	
Setup times	Address	TAVKH	TAS	1.5	–	1.5	–	ns
	Address advance	TADVVKH	TADVS					
	Clock enable	TEVKH	TCES					
	Chip enable	TCVKH	TCSS					
	Data in	TDVKH	TDS					
	Write enable	TWVKH	TWS					
Hold times	Address	TKHAX	TAH	0.5	–	0.5	–	ns
	Address advance	TKHADVX	TADVH					
	Clock enable	TKHEX	TCEH					
	Chip enable	TKHCX	TCSH					
	Data in	TKHDX	TDH					
	Write enable	TKHWX	TWH					
Power down entry time	TZZE	TZZE	–	12	–	15	ns	
Power down recovery time	TZZR	TZZR	–	12	–	15	ns	

- Notes**
1. Transition is measured ±200 mV from steady state.
 2. To avoid bus contention, the output buffers are designed such that TKHQZ (device turn-off) is faster than TKHQX1 (device turn-on) at a given temperature and voltage. The specs as shown do not imply bus contention because TKHQX1 is a min. parameter that is worse case at totally different conditions (T_A min., V_{DD} max.) than TKHQZ, which is a max. parameter (worse case at T_A max., V_{DD} min.).

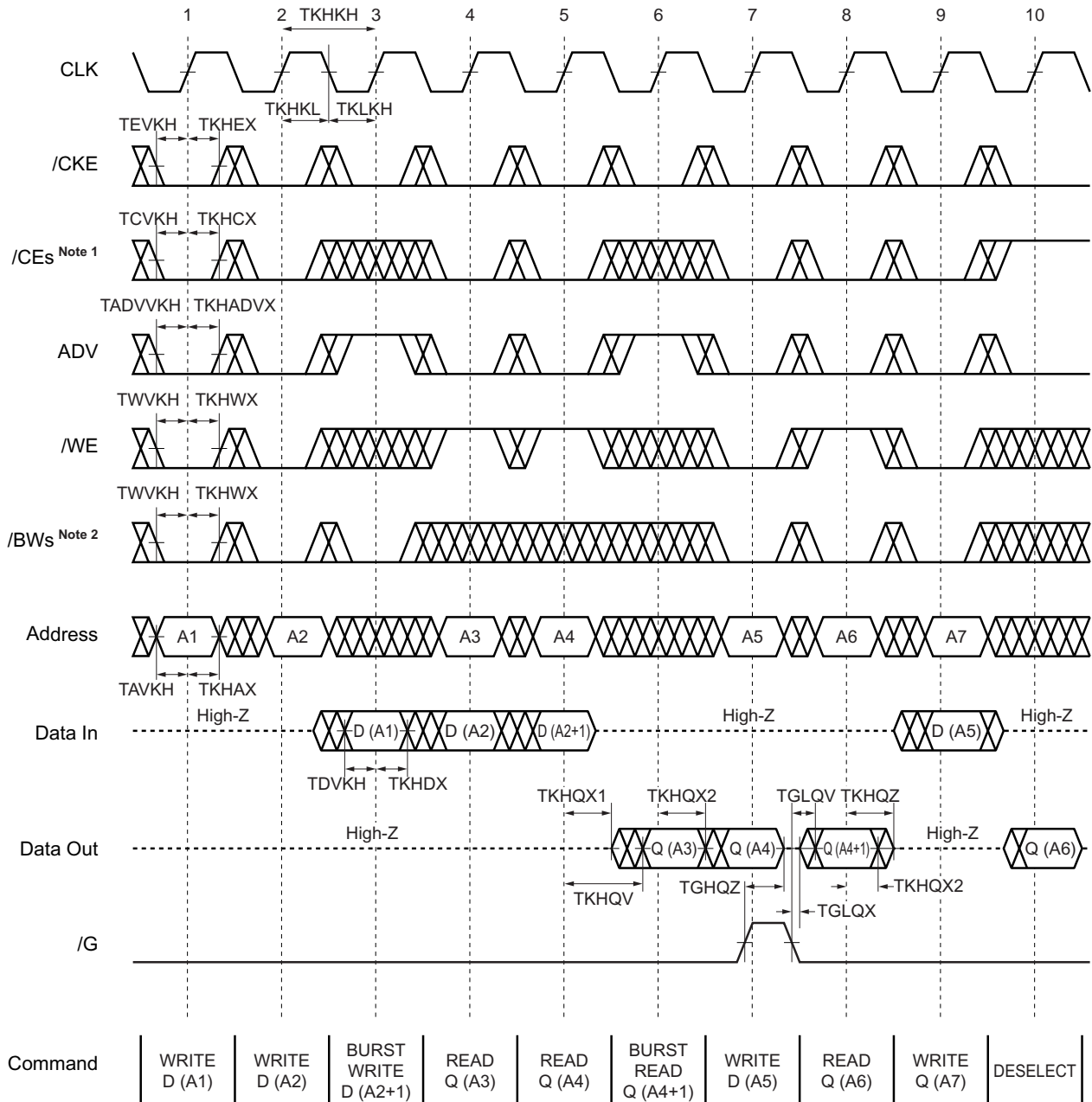
Read and Write Cycle (3.3 V LVTTTL Interface)

Parameter	Symbol		-A44 -A44Y (225 MHz)		-A50 -A50Y (200 MHz)		-A60 -A60Y (167 MHz)		-A75 -A75Y (133 MHz)		Unit	Notes
	Standard	Alias	MIN.	MAX.	MIN.	MAX.	MIN.	MAX.	MIN.	MAX.		
Cycle time	TKHKH	TCYC	4.4	–	5	–	6	–	7.5	–	ns	
Clock access time	TKHQV	TCD	–	2.8	–	3.2	–	3.5	–	4.2	ns	
Output enable access time	TGLQV	TOE	–	2.8	–	3.2	–	3.5	–	4.2	ns	
Clock high to output active	TKHQX1	TDC1	1.5	–	1.5	–	1.5	–	1.5	–	ns	1, 2
Clock high to output change	TKHQX2	TDC2	1.5	–	1.5	–	1.5	–	1.5	–	ns	
Output enable to output active	TGLQX	TOLZ	0	–	0	–	0	–	0	–	ns	1
Output disable to output High-Z	TGHQZ	TOHZ	0	2.8	0	3.2	0	3.5	0	4.2	ns	1
Clock high to output High-Z	TKHQZ	TCZ	1.5	2.8	1.5	3.2	1.5	3.5	1.5	3.5	ns	1, 2
Clock high pulse width	TKHKL	TCH	1.8	–	1.8	–	1.8	–	2.2	–	ns	
Clock low pulse width	TKLKH	TCL	1.8	–	1.8	–	1.8	–	2.2	–	ns	
Setup times	Address	TAVKH	TAS	1.4	–	1.5	–	1.5	–	1.5	–	ns
	Address advance	TADVVKH	TADVS									
	Clock enable	TEVKH	TCES									
	Chip enable	TCVKH	TCSS									
	Data in	TDVKH	TDS									
	Write enable	TWVKH	TWS									
Hold times	Address	TKHAX	TAH	0.4	–	0.5	–	0.5	–	0.5	–	ns
	Address advance	TKHADVX	TADVH									
	Clock enable	TKHEX	TCEH									
	Chip enable	TKHCX	TCSH									
	Data in	TKHDX	TDH									
	Write enable	TKHWX	TWH									
Power down entry time	TZZE	TZZE	–	8.8	–	10	–	12	–	15	ns	
Power down recovery time	TZZR	TZZR	–	8.8	–	10	–	12	–	15	ns	

Notes 1. Transition is measured ±200 mV from steady state.

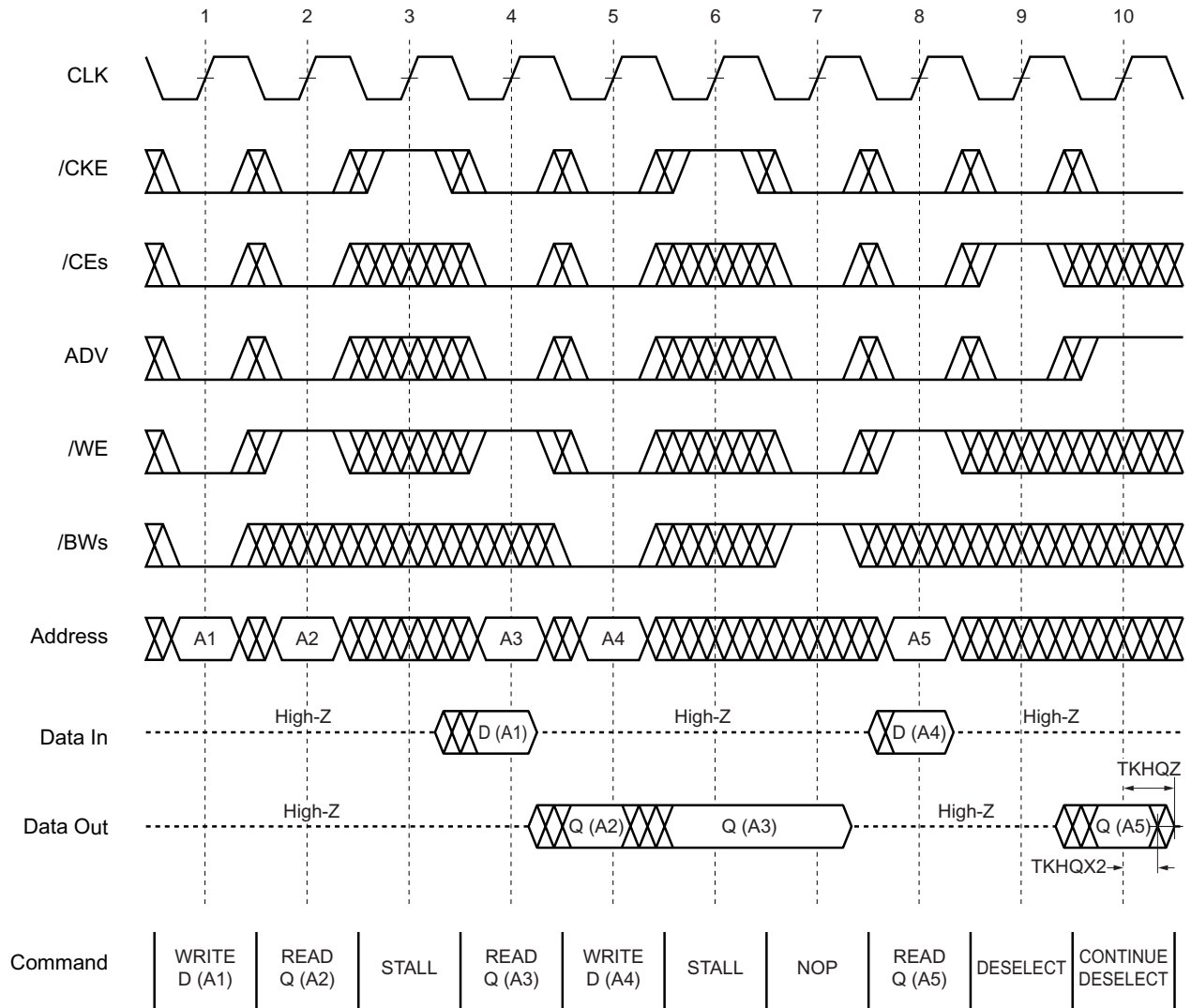
2. To avoid bus contention, the output buffers are designed such that TKHQZ (device turn-off) is faster than TKHQX1 (device turn-on) at a given temperature and voltage. The specs as shown do not imply bus contention because TKHQX1 is a min. parameter that is worse case at totally different conditions (T_A min., V_{DD} max.) than TKHQZ, which is a max. parameter (worse case at T_A max., V_{DD} min.).

READ / WRITE CYCLE

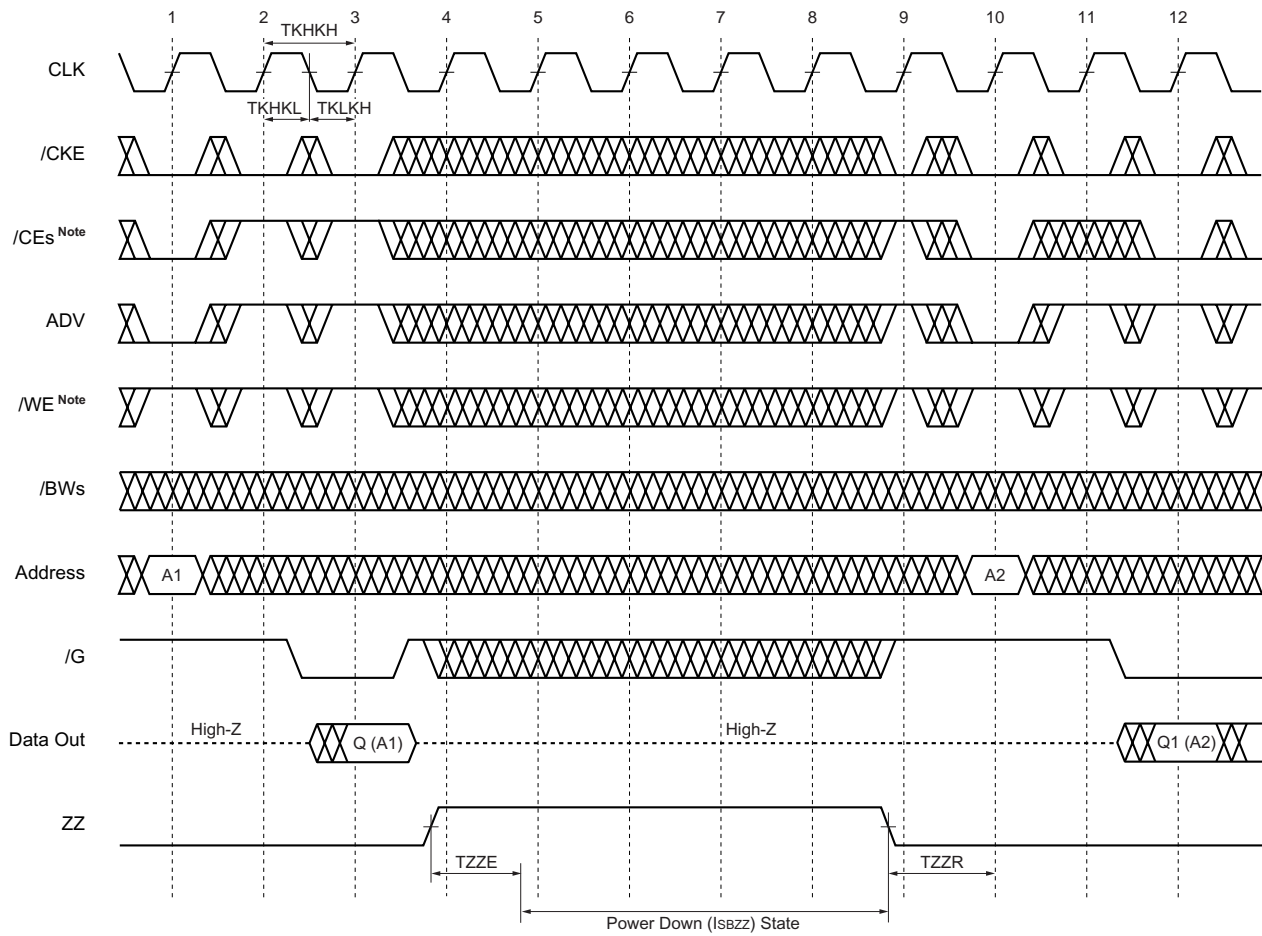


- Notes**
1. /CEs refers to /CE, CE2 and /CE2. When /CEs is LOW, /CE and /CE2 are LOW and CE2 is HIGH. When /CEs is HIGH, /CE and /CE2 are HIGH and CE2 is LOW.
 2. /BWs refers to /BW1, /BW2, /BW3 and /BW4. When /BWs is LOW, any one or more byte write enables (/BW1, /BW2, /BW3 or /BW4) are LOW.

NOP, STALL AND DESELECT CYCLE



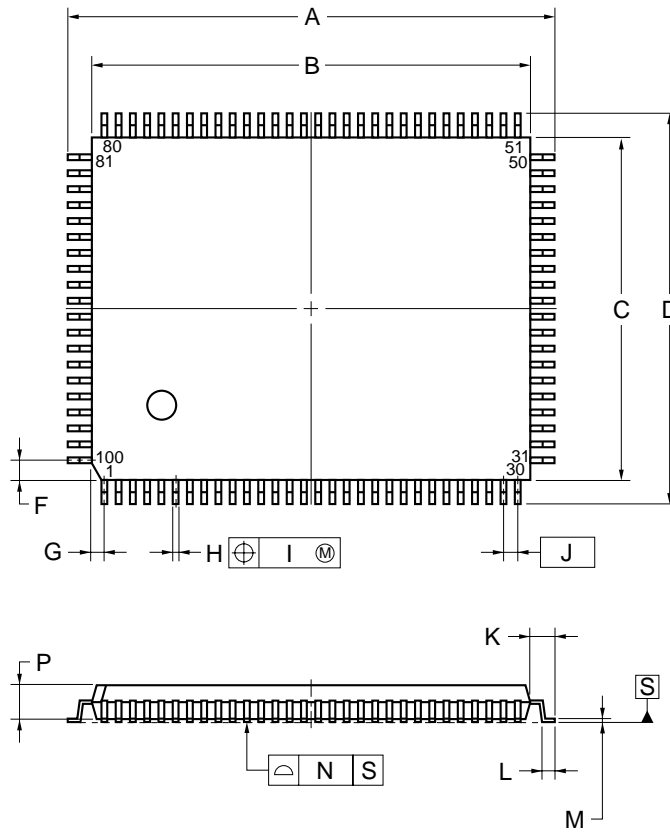
POWER DOWN (ZZ) CYCLE



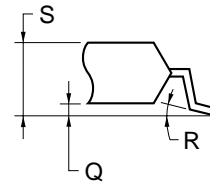
Note /WE or /CEs must be held HIGH at CLK rising edge (clock edge No.2 and No.3 in this figure) prior to power down state entry.

Package Drawing

100-PIN PLASTIC LQFP (14x20)



detail of lead end



NOTE

Each lead centerline is located within 0.13 mm of its true position (T.P.) at maximum material condition.

ITEM	MILLIMETERS
A	22.0±0.2
B	20.0±0.2
C	14.0±0.2
D	16.0±0.2
F	0.825
G	0.575
H	0.32 ^{+0.08} _{-0.07}
I	0.13
J	0.65 (T.P.)
K	1.0±0.2
L	0.5±0.2
M	0.17 ^{+0.06} _{-0.05}
N	0.10
P	1.4
Q	0.125±0.075
R	3° ^{+7°} _{-3°}
S	1.7 MAX.

S100GF-65-8ET-1

Recommended Soldering Condition

Please consult with our sales offices for soldering conditions of the μ PD4481162, 4481182, 4481322 and 4481362.

Types of Surface Mount Devices

μ PD4481162GF	: 100-pin PLASTIC LQFP (14 x 20)
μ PD4481182GF	: 100-pin PLASTIC LQFP (14 x 20)
μ PD4481322GF	: 100-pin PLASTIC LQFP (14 x 20)
μ PD4481362GF	: 100-pin PLASTIC LQFP (14 x 20)

Revision History

Edition/ Date	Page		Type of revision	Location	Description (Previous edition → This edition)
	This edition	Previous edition			
3rd edition/ Dec. 2002	Throughout	Throughout	Modification Addition	– –	Preliminary Data Sheet → Data Sheet Extended operating temperature products (T _A = –40 to +85 °C)

[MEMO]

[MEMO]

[MEMO]

NOTES FOR CMOS DEVICES**① PRECAUTION AGAINST ESD FOR SEMICONDUCTORS**

Note:

Strong electric field, when exposed to a MOS device, can cause destruction of the gate oxide and ultimately degrade the device operation. Steps must be taken to stop generation of static electricity as much as possible, and quickly dissipate it once, when it has occurred. Environmental control must be adequate. When it is dry, humidifier should be used. It is recommended to avoid using insulators that easily build static electricity. Semiconductor devices must be stored and transported in an anti-static container, static shielding bag or conductive material. All test and measurement tools including work bench and floor should be grounded. The operator should be grounded using wrist strap. Semiconductor devices must not be touched with bare hands. Similar precautions need to be taken for PW boards with semiconductor devices on it.

② HANDLING OF UNUSED INPUT PINS FOR CMOS

Note:

No connection for CMOS device inputs can be cause of malfunction. If no connection is provided to the input pins, it is possible that an internal input level may be generated due to noise, etc., hence causing malfunction. CMOS devices behave differently than Bipolar or NMOS devices. Input levels of CMOS devices must be fixed high or low by using a pull-up or pull-down circuitry. Each unused pin should be connected to V_{DD} or GND with a resistor, if it is considered to have a possibility of being an output pin. All handling related to the unused pins must be judged device by device and related specifications governing the devices.

③ STATUS BEFORE INITIALIZATION OF MOS DEVICES

Note:

Power-on does not necessarily define initial status of MOS device. Production process of MOS does not define the initial operation status of the device. Immediately after the power source is turned ON, the devices with reset function have not yet been initialized. Hence, power-on does not guarantee out-pin levels, I/O settings or contents of registers. Device is not initialized until the reset signal is received. Reset operation must be executed immediately after power-on for devices having reset function.

ZEROSB is a trademark of NEC Electronics Corporation.

• **The information in this document is current as of December, 2002. The information is subject to change without notice. For actual design-in, refer to the latest publications of NEC Electronics data sheets or data books, etc., for the most up-to-date specifications of NEC Electronics products. Not all products and/or types are available in every country. Please check with an NEC Electronics sales representative for availability and additional information.**

• No part of this document may be copied or reproduced in any form or by any means without the prior written consent of NEC Electronics. NEC Electronics assumes no responsibility for any errors that may appear in this document.

• NEC Electronics does not assume any liability for infringement of patents, copyrights or other intellectual property rights of third parties by or arising from the use of NEC Electronics products listed in this document or any other liability arising from the use of such products. No license, express, implied or otherwise, is granted under any patents, copyrights or other intellectual property rights of NEC Electronics or others.

• Descriptions of circuits, software and other related information in this document are provided for illustrative purposes in semiconductor product operation and application examples. The incorporation of these circuits, software and information in the design of a customer's equipment shall be done under the full responsibility of the customer. NEC Electronics assumes no responsibility for any losses incurred by customers or third parties arising from the use of these circuits, software and information.

• While NEC Electronics endeavors to enhance the quality, reliability and safety of NEC Electronics products, customers agree and acknowledge that the possibility of defects thereof cannot be eliminated entirely. To minimize risks of damage to property or injury (including death) to persons arising from defects in NEC Electronics products, customers must incorporate sufficient safety measures in their design, such as redundancy, fire-containment and anti-failure features.

• NEC Electronics products are classified into the following three quality grades: "Standard", "Special" and "Specific".

The "Specific" quality grade applies only to NEC Electronics products developed based on a customer-designated "quality assurance program" for a specific application. The recommended applications of an NEC Electronics product depend on its quality grade, as indicated below. Customers must check the quality grade of each NEC Electronics product before using it in a particular application.

"Standard": Computers, office equipment, communications equipment, test and measurement equipment, audio and visual equipment, home electronic appliances, machine tools, personal electronic equipment and industrial robots.

"Special": Transportation equipment (automobiles, trains, ships, etc.), traffic control systems, anti-disaster systems, anti-crime systems, safety equipment and medical equipment (not specifically designed for life support).

"Specific": Aircraft, aerospace equipment, submersible repeaters, nuclear reactor control systems, life support systems and medical equipment for life support, etc.

The quality grade of NEC Electronics products is "Standard" unless otherwise expressly specified in NEC Electronics data sheets or data books, etc. If customers wish to use NEC Electronics products in applications not intended by NEC Electronics, they must contact an NEC Electronics sales representative in advance to determine NEC Electronics' willingness to support a given application.

(Note)

(1) "NEC Electronics" as used in this statement means NEC Electronics Corporation and also includes its majority-owned subsidiaries.

(2) "NEC Electronics products" means any product developed or manufactured by or for NEC Electronics (as defined above).