

PLEASE CHECK WWW.MOLEX.COM FOR LATEST PART INFORMATION

Part Number: [0365390008](#)
Status: **Active**
Description: 10.0mm (.394") Pitch Wire-to-Board Header Assembly, Vertical, Tin over Copper, 2 circuit, Lead-free

Documents:

[3D Model](#) [Product Specification PS-36539-001 \(PDF\)](#)
[Drawing \(PDF\)](#) [RoHS Certificate of Compliance \(PDF\)](#)

General

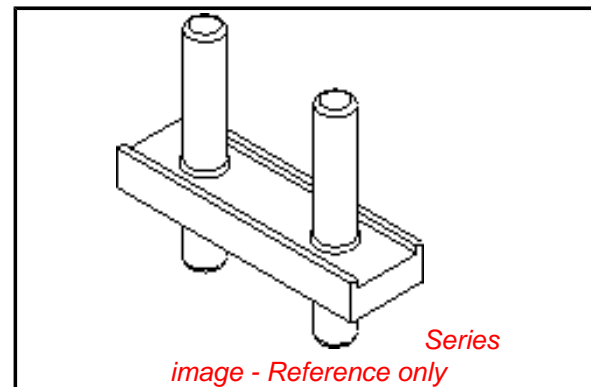
Product Family PCB Headers
 Series [36539](#)
 Application Wire-to-Board
 Product Name N/A

Physical

Breakaway No
 Circuits (Loaded) 2
 Circuits (maximum) 2
 Color - Resin Natural
 Durability (mating cycles max) 30
 First Mate / Last Break No
 Glow-Wire Compliant No
 Guide to Mating Part No
 Keying to Mating Part None
 Lock to Mating Part No
 Material - Plating Mating Tin
 Material - Plating Termination Tin
 Material - Resin Nylon
 Number of Rows 1
 Orientation Vertical
 PC Tail Length (in) 0.150 In
 PC Tail Length (mm) 3.80 mm
 PCB Locator No
 PCB Retention None
 PCB Thickness Recommended (in) 0.063 In
 PCB Thickness Recommended (mm) 1.60 mm
 Packaging Type Bag
 Pitch - Mating Interface (in) 0.394 In
 Pitch - Mating Interface (mm) 10.00 mm
 Pitch - Term. Interface (in) 0.394 In
 Pitch - Term. Interface (mm) 10.00 mm
 Plating min: Mating (µin) 160
 Plating min: Mating (µm) 4
 Plating min: Termination (µin) 160
 Plating min: Termination (µm) 4
 Polarized to Mating Part No
 Polarized to PCB No
 Shrouded No
 Stackable No
 Surface Mount Compatible (SMC) No
 Temperature Range - Operating -25°C to +85°C
 Termination Interface: Style Through Hole

Electrical

Current - Maximum per Contact 7A



EU RoHS

ELV and RoHS Compliant
REACH SVHC
 Not Reviewed
Halogen-Free Status
Not Reviewed

China RoHS



Need more information on product environmental compliance?

Email productcompliance@molex.com
 For a multiple part number RoHS Certificate of Compliance, [click here](#)

Please visit the [Contact Us](#) section for any non-product compliance questions.

Search Parts in this Series

[36539Series](#)

Mates With

[35183 Female Housing](#)

Voltage - Maximum

250V AC (RMS)/DC

Material Info

Reference - Drawing Numbers

Product Specification

PS-36539-001

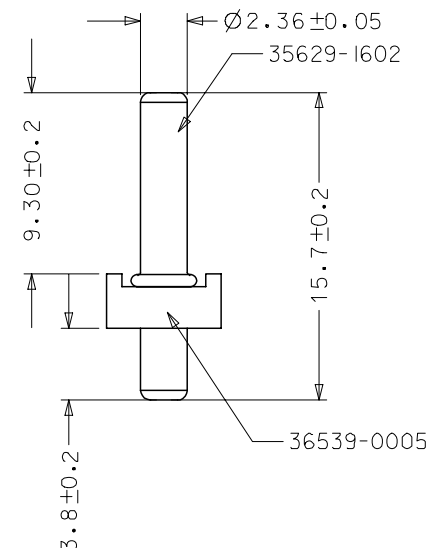
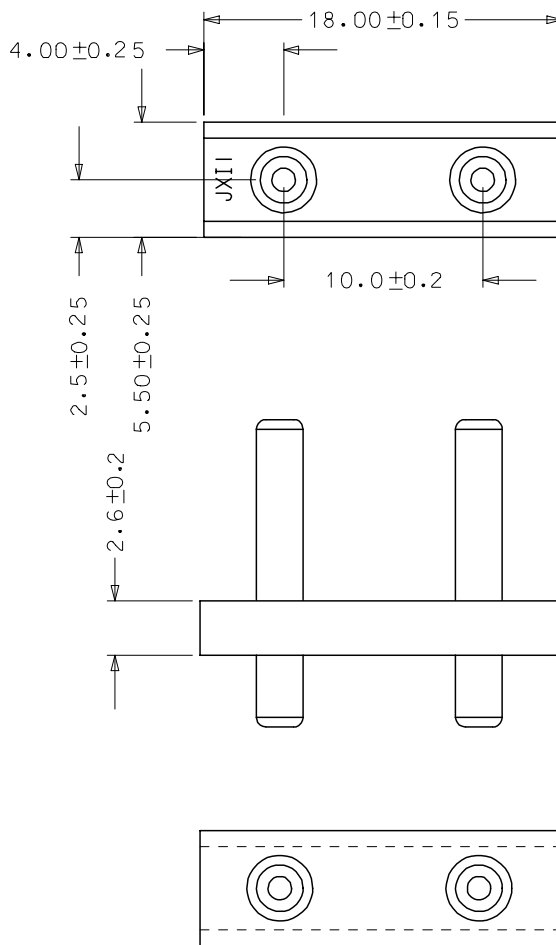
Sales Drawing

SD-36539-008

This document was generated on 06/07/2010

PLEASE CHECK WWW.MOLEX.COM FOR LATEST PART INFORMATION

NOTES:
 1. MATERIAL
 WAFER : NYLON, UL94 V-2, COLOR-NATURAL
 PIN : BRASS
 2. FINISH
 TIN 4 MICROMETER MINIMUM
 OVER COPPER 2-4 MICROMETER OVERALL



RoHS COMPLIANT

ENTER DESCRIPTION EC NO: I2007-0078 DRWN:SATTIMARAD 2006/08/17 CHKD:SUDHIR 2006/08/17 APPR:SSUDHIR 2006/08/17	QUALITY SYMBOLS =0 =0	GENERAL TOLERANCES (UNLESS SPECIFIED)		DIMENSION STYLE MM ONLY		SCALE 3:1	DESIGN UNITS METRIC	THIRD ANGLE PROJECTION		
			mm	INCH	DRAWN BY SHANKAR	DATE 2006/08/16	TITLE HEADER ASSEMBLY 10MM PITCH 2 CIRCUIT			
		4 PLACES	± ---	± ---	CHECKED BY SSUDHIR	DATE 2006/08/16	MATERIAL NO. 36539-0008			
		3 PLACES	± ---	± ---	APPROVED BY SSUDHIR	DATE 2006/08/16	DOCUMENT NO. SD-36539-008		SHEET NO. 1 OF 1	
		2 PLACES	± 0.2	± ---	MOLEX INCORPORATED					
		1 PLACE	± 0.4	± ---	THIS DRAWING CONTAINS INFORMATION THAT IS PROPRIETARY TO MOLEX INCORPORATED AND SHOULD NOT BE USED WITHOUT WRITTEN PERMISSION					
DRAFT WHERE APPLICABLE MUST REMAIN WITHIN DIMENSIONS										