

### L-BAND 4 W HIGH POWER SPDT SWITCH

#### DESCRIPTION

The  $\mu$ PG2155TB is an L-band SPDT GaAs FET switch which was developed for digital cellular or cordless telephone application. The device can operate from 500 MHz to 2.5 GHz, having the low insertion loss and high linearity.

#### FEATURES

- Low insertion loss
  - : LINS = 0.35 dB TYP. @  $V_{cont} = +2.6$  V/0 V,  $f = 1.0$  GHz
  - : LINS = 0.40 dB TYP. @  $V_{cont} = +2.6$  V/0 V,  $f = 2.0$  GHz
  - : LINS = 0.45 dB TYP. @  $V_{cont} = +2.6$  V/0 V,  $f = 2.5$  GHz
- High linearity
  - : 2f0 = 70 dBc TYP. @  $V_{cont} = +2.6$  V/0 V,  $f = 0.9$  GHz,  $P_{in} = +34.5$  dBm
  - : 3f0 = 75 dBc TYP. @  $V_{cont} = +2.6$  V/0 V,  $f = 0.9$  GHz,  $P_{in} = +34.5$  dBm
- 6-pin super minimold package (2.1 × 2.0 × 0.9 mm)

#### APPLICATION

- GSM Triple/Quad band digital cellular

#### ORDERING INFORMATION

Part Number	Order Number	Package	Marking	Supplying Form
$\mu$ PG2155TB-E4	$\mu$ PG2155TB-E4-A	6-pin super minimold (Pb-Free)	G4R	<ul style="list-style-type: none"> <li>• Embossed tape 8 mm wide</li> <li>• Pin 4, 5, 6 face the perforation side of the tape</li> <li>• Qty 3 kpcs/reel</li> </ul>

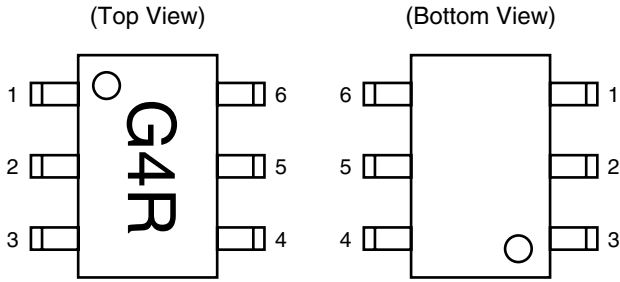
**Remark** To order evaluation samples, contact your nearby sales office.

Part number for sample order:  $\mu$ PG2155TB

**Caution** Observe precautions when handling because these devices are sensitive to electrostatic discharge.

The information in this document is subject to change without notice. Before using this document, please confirm that this is the latest version.  
Not all devices/types available in every country. Please check with local NEC Compound Semiconductor Devices representative for availability and additional information.

<R> PIN CONNECTIONS



Pin No.	Pin Name
1	RF2
2	GND
3	RF3
4	V <sub>cont2</sub>
5	RF1
6	V <sub>cont1</sub>

**ABSOLUTE MAXIMUM RATINGS (T<sub>A</sub> = +25°C)**

Parameter	Symbol	Ratings	Unit
Control Voltage	V <sub>cont</sub>	+6.0	V
Input Power	P <sub>in</sub>	+38	dBm
Operating Ambient Temperature	T <sub>A</sub>	-45 to +85	°C
Storage Temperature	T <sub>stg</sub>	-55 to +150	°C

**RECOMMENDED OPERATING RANGE (T<sub>A</sub> = +25°C)**

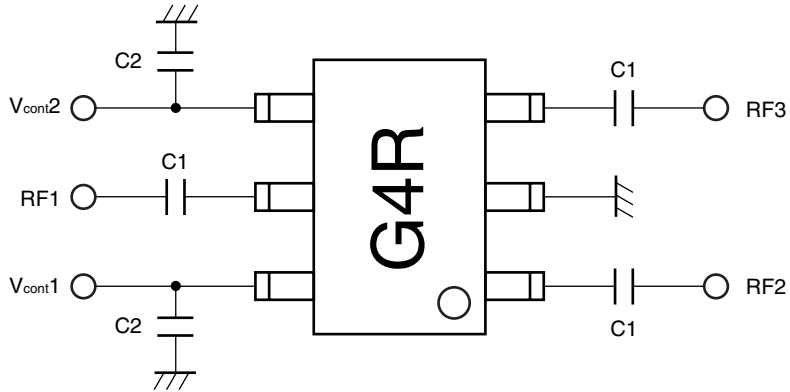
Parameter	Symbol	MIN.	TYP.	MAX.	Unit
Control Voltage (High)	V <sub>cont (H)</sub>	+2.4	+2.6	+5.0	V
Control Voltage (Low)	V <sub>cont (L)</sub>	-0.2	0	+0.2	V

**ELECTRICAL CHARACTERISTICS (T<sub>A</sub> = +25°C, V<sub>cont</sub> = +2.6 V/0 V, Z<sub>o</sub> = 50 Ω, off chip DC blocking capacitors value: 56 pF, unless otherwise specified)**

Parameter	Symbol	Test Conditions	MIN.	TYP.	MAX.	Unit
Insertion Loss	L <sub>INS</sub>	f = 0.5 to 1.0 GHz	–	0.35	0.45	dB
		f = 1.0 to 2.0 GHz	–	0.40	0.50	dB
		f = 2.0 to 2.5 GHz	–	0.45	0.55	dB
Isolation	ISL	f = 0.5 to 1.0 GHz	22	24	–	dB
		f = 1.0 to 2.0 GHz	17	19	–	dB
		f = 2.0 to 2.5 GHz	15	17	–	dB
Input Return Loss	RL <sub>in</sub>	f = 0.5 to 2.5 GHz	15	20	–	dB
Output Return Loss	RL <sub>out</sub>	f = 0.5 to 2.5 GHz	15	20	–	dB
<R> 0.1 dB Loss Compression	P <sub>in (0.1 dB)</sub>	f = 0.9 GHz	–	37.5	–	dBm
Input Power		f = 1.8 GHz	–	37.5	–	dBm
<R> 2nd Harmonics	2f <sub>0</sub>	f = 0.9 GHz, P <sub>in</sub> = +34.5 dBm	65	70	–	dBc
		f = 1.8 GHz, P <sub>in</sub> = +31.5 dBm	64	70	–	dBc
<R> 3rd Harmonics	3f <sub>0</sub>	f = 0.9 GHz, P <sub>in</sub> = +34.5 dBm	65	75	–	dBc
		f = 1.8 GHz, P <sub>in</sub> = +31.5 dBm	64	75	–	dBc
Switching Speed	t <sub>sw</sub>		–	1	5	μs
Control Current	I <sub>cont</sub>	RF Non	–	0.5	5.0	μA

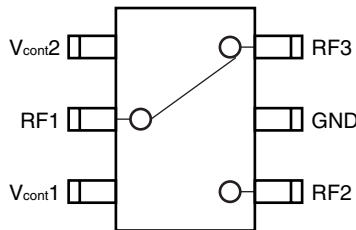
<R> **EVALUATION CIRCUIT**

Off chip DC blocking capacitors value C1 = 56 pF, C2 = 1 000 pF (Bypass), using NEC standard evaluation board.



The application circuits and their parameters are for reference only and are not intended for use in actual design-ins.

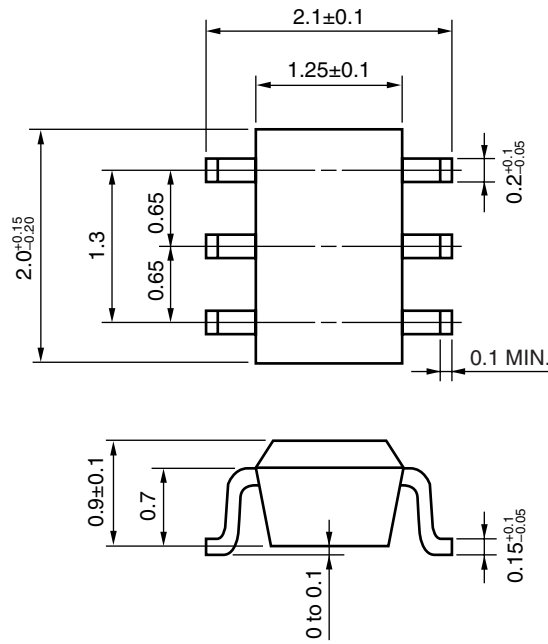
<R> **TRUTH TABLE**



V <sub>cont1</sub>	V <sub>cont2</sub>	RF1-RF2	RF1-RF3
High	Low	ON	OFF
Low	High	OFF	ON

<R> PACKAGE DIMENSIONS

6-PIN SUPER MINIMOLD (UNIT: mm)



**RECOMMENDED SOLDERING CONDITIONS**

This product should be soldered and mounted under the following recommended conditions. For soldering methods and conditions other than those recommended below, contact your nearby sales office.

Soldering Method	Soldering Conditions	Condition Symbol
Infrared Reflow	Peak temperature (package surface temperature) : 260°C or below Time at peak temperature : 10 seconds or less Time at temperature of 220°C or higher : 60 seconds or less Preheating time at 120 to 180°C : 120±30 seconds Maximum number of reflow processes : 3 times Maximum chlorine content of rosin flux (% mass) : 0.2%(Wt.) or below	IR260
Wave Soldering	Peak temperature (molten solder temperature) : 260°C or below Time at peak temperature : 10 seconds or less Preheating temperature (package surface temperature) : 120°C or below Maximum number of flow processes : 1 time Maximum chlorine content of rosin flux (% mass) : 0.2%(Wt.) or below	WS260
Partial Heating	Peak temperature (terminal temperature) : 350°C or below Soldering time (per side of device) : 3 seconds or less Maximum chlorine content of rosin flux (% mass) : 0.2%(Wt.) or below	HS350

**Caution Do not use different soldering methods together (except for partial heating).**

- **The information in this document is current as of January, 2008. The information is subject to change without notice. For actual design-in, refer to the latest publications of NEC Electronics data sheets or data books, etc., for the most up-to-date specifications of NEC Electronics products. Not all products and/or types are available in every country. Please check with an NEC Electronics sales representative for availability and additional information.**
- No part of this document may be copied or reproduced in any form or by any means without the prior written consent of NEC Electronics. NEC Electronics assumes no responsibility for any errors that may appear in this document.
- NEC Electronics does not assume any liability for infringement of patents, copyrights or other intellectual property rights of third parties by or arising from the use of NEC Electronics products listed in this document or any other liability arising from the use of such products. No license, express, implied or otherwise, is granted under any patents, copyrights or other intellectual property rights of NEC Electronics or others.
- Descriptions of circuits, software and other related information in this document are provided for illustrative purposes in semiconductor product operation and application examples. The incorporation of these circuits, software and information in the design of a customer's equipment shall be done under the full responsibility of the customer. NEC Electronics assumes no responsibility for any losses incurred by customers or third parties arising from the use of these circuits, software and information.
- While NEC Electronics endeavors to enhance the quality, reliability and safety of NEC Electronics products, customers agree and acknowledge that the possibility of defects thereof cannot be eliminated entirely. To minimize risks of damage to property or injury (including death) to persons arising from defects in NEC Electronics products, customers must incorporate sufficient safety measures in their design, such as redundancy, fire-containment and anti-failure features.
- NEC Electronics products are classified into the following three quality grades: "Standard", "Special" and "Specific".

The "Specific" quality grade applies only to NEC Electronics products developed based on a customer-designated "quality assurance program" for a specific application. The recommended applications of an NEC Electronics product depend on its quality grade, as indicated below. Customers must check the quality grade of each NEC Electronics product before using it in a particular application.

"Standard": Computers, office equipment, communications equipment, test and measurement equipment, audio and visual equipment, home electronic appliances, machine tools, personal electronic equipment and industrial robots.

"Special": Transportation equipment (automobiles, trains, ships, etc.), traffic control systems, anti-disaster systems, anti-crime systems, safety equipment and medical equipment (not specifically designed for life support).

"Specific": Aircraft, aerospace equipment, submersible repeaters, nuclear reactor control systems, life support systems and medical equipment for life support, etc.

The quality grade of NEC Electronics products is "Standard" unless otherwise expressly specified in NEC Electronics data sheets or data books, etc. If customers wish to use NEC Electronics products in applications not intended by NEC Electronics, they must contact an NEC Electronics sales representative in advance to determine NEC Electronics' willingness to support a given application.

(Note)

- (1) "NEC Electronics" as used in this statement means NEC Electronics Corporation and also includes its majority-owned subsidiaries.
- (2) "NEC Electronics products" means any product developed or manufactured by or for NEC Electronics (as defined above).

M8E 02.11-1

<p><b>Caution</b> GaAs Products</p>	<p>This product uses gallium arsenide (GaAs). GaAs vapor and powder are hazardous to human health if inhaled or ingested, so please observe the following points.</p> <ul style="list-style-type: none"> <li>• Follow related laws and ordinances when disposing of the product. If there are no applicable laws and/or ordinances, dispose of the product as recommended below.             <ol style="list-style-type: none"> <li>1. Commission a disposal company able to (with a license to) collect, transport and dispose of materials that contain arsenic and other such industrial waste materials.</li> <li>2. Exclude the product from general industrial waste and household garbage, and ensure that the product is controlled (as industrial waste subject to special control) up until final disposal.</li> </ol> </li> <li>• Do not burn, destroy, cut, crush, or chemically dissolve the product.</li> <li>• Do not lick the product or in any way allow it to enter the mouth.</li> </ul>
-------------------------------------	---