



TAI-SAW TECHNOLOGY CO., LTD.

No. 3, Industrial 2nd Rd., Ping-Chen Industrial District,
Taoyuan, 324, Taiwan, R.O.C.

TEL: 886-3-4690038 FAX: 886-3-4697532

E-mail: ttsales@mail.taisaw.com Web: www.taisaw.com

Approval Sheet For Product Specification

Issued Date: 2003/8/28

Product Name: SAW Resonator 433.920 MHz TO-39

TST Parts No.: TC433E2B

Customer Parts No.: _____

Company: _____
Division: _____
Approved by : _____
Date: _____

Checked by: Vincent Liu

Approval by: Francis Chen

Date: 2003/10/06



TAI-SAW TECHNOLOGY CO., LTD.

No. 3, Industrial 2nd Rd., Ping-Chen Industrial District,
Taoyuan, 324, Taiwan, R.O.C.

TEL: 886-3-4690038 FAX: 886-3-4697532

E-mail: tstsales@mail.taisaw.com Web: www.taisaw.com

SAW Resonator 433.920 MHz

MODEL NO.: TC433E2B

REV. NO.:3

A. FEATURES:

1. 1-Port Resonator.

B. MAXIMUM RATING:

1. Input Power Level: 0 dBm

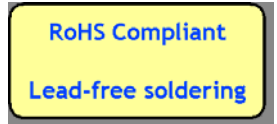
2. DC voltage: 12 V

3. Operating Temperature: -40°C to +85°C

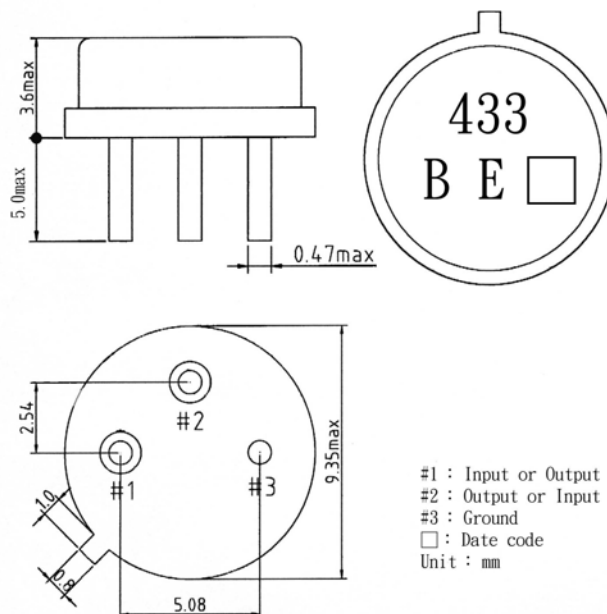
4. Storage Temperature: -40°C to +85°C

C. ELECTRICAL CHARACTERISTICS:

Characteristic	Units	Minimum	Typical	Maximum
Center frequency Fr	MHz	433.82	433.92	434.02
Insertion Loss IL	dB	-	1.0	2.0
Equivalent Elements				
Motional capacitance C1	fF	-	2.3	-
Motional inductance L1	μH	-	58	-
Motional resistance R1	Ohm	-	14	25
Parallel capacitance Co	pF	-	4.1	-
Temp.coeff.	ppm/c*2	-	0.032	-
Turnover To	deg.C	10	25	40
Package size		TO-39		

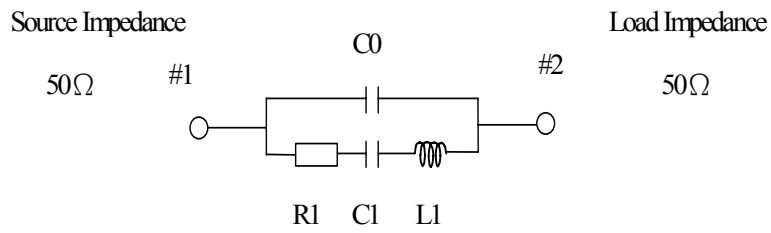


D. OUTLINE DRAWING:

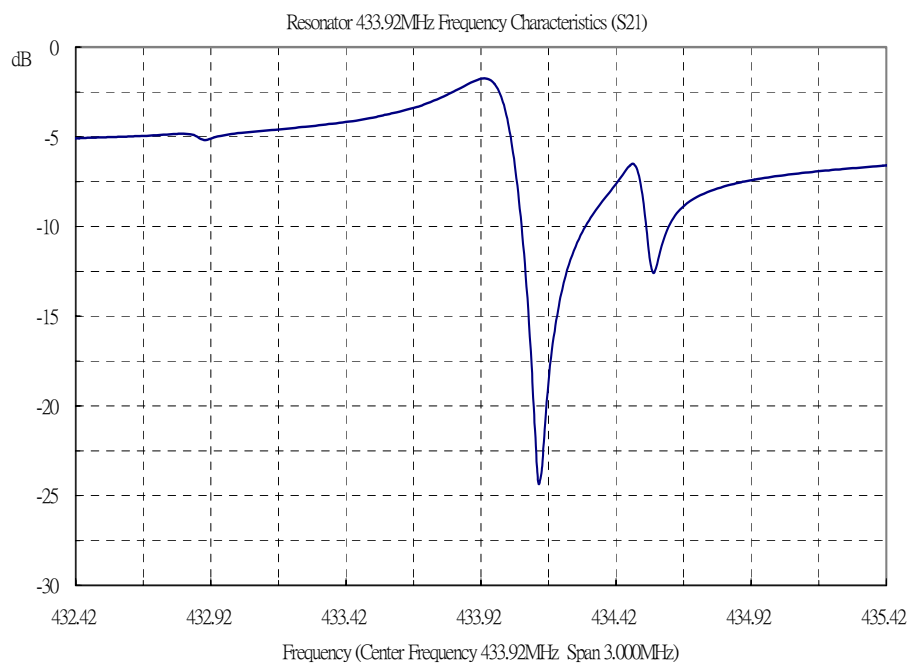


E. EQUIVALENT CIRCUIT:

One-Port Resonator:



F. FREQUENCY CHARACTERISTICS:



G. TEST CIRCUIT:

