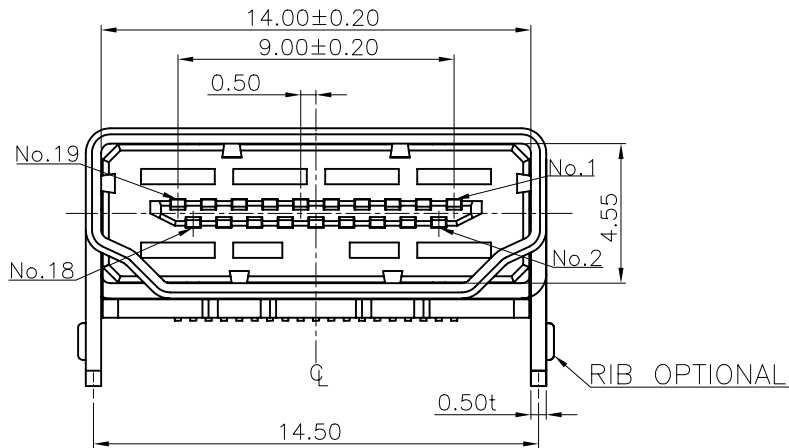
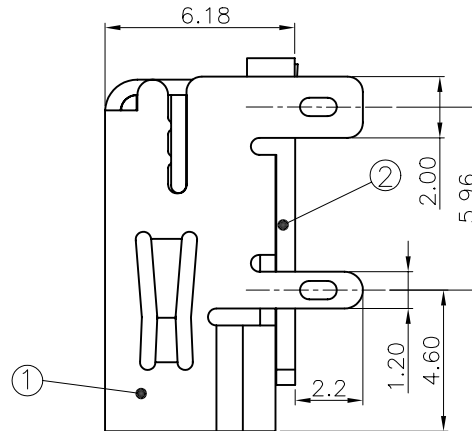
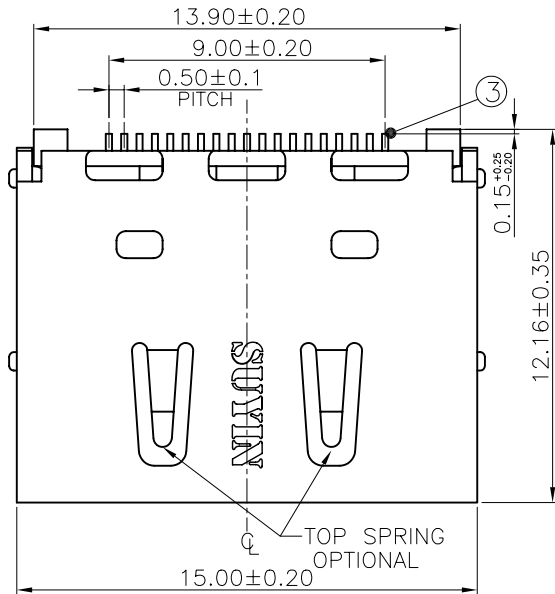
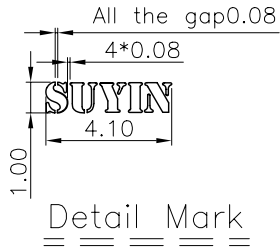




RoHS Compliant
2002/95/EC



1 NOTES:

100042MB019SX08ZA

1.Plating

- S1-05u" Min. gold in contact area/
100u" Min. Tin in solder area.
- S2-Gold flash in contact area/
100u" Min. Tin in solder area.
- S3-10u" Min. gold in contact area/
100u" Min. Tin in solder area.
- S4-15u" Min. gold in contact area/
100u" Min. Tin in solder area.
- S5-30u" Min. gold in contact area/
100u" Min. Tin in solder area.

NO.	DESCRIPTION	MATERIAL	COLOR	REMARK
3	Terminal	Copper Alloy	—	Gold/Tin Plated Over Ni
2	Housing	High Temp.	Black	UL 94V-0
1	Shell	Metal	—	Ni Plated

SUYIN
CONNECTOR

CUSTOMER COPY TITLE: HDMI Receptacle SMT Type
Female Connector Without Flange

PART NO. 100042MB019SX08ZA

PRODUCT SPEC. 100042MX019XXXXZX

FILE NAME. DING 100042MB019SX08ZA-C

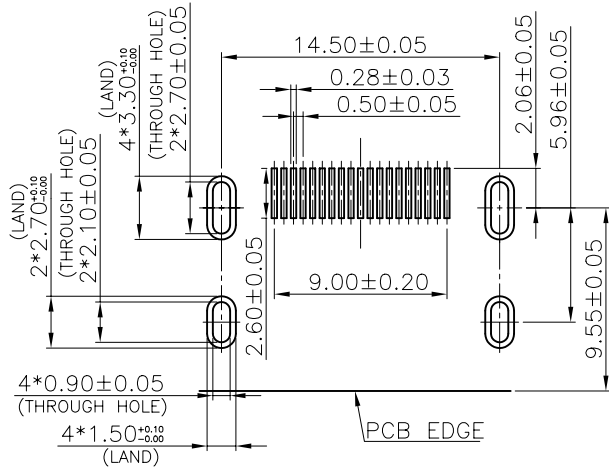
SCALE 4:1 UNIT:mm A4 SHEET: 1 of 3

ECN(DCN) NO.	REV	DATE	DESCRIPTION	CHANGE	APPRO.	ANGLE	±2°	DRAW	DESIGN	CHECK	APPRO.
	0		NEW RELEASE	李楠 董俐		30 ~	±0.50	李楠	李楠	李楠	李楠
DCB-061109-08	PA	06'/11/09	PA1:變更標注方式8.00->0.50	鄧綬長 吳星德		10 ~ 30	±0.30	李楠	李楠	李楠	李楠
	P0	09/01/06'	NEW	李楠 董俐		~ 10	±0.15	鄭冰雨	鄭冰雨	鄭冰雨	鄭冰雨
								吳星德	吳星德	吳星德	吳星德

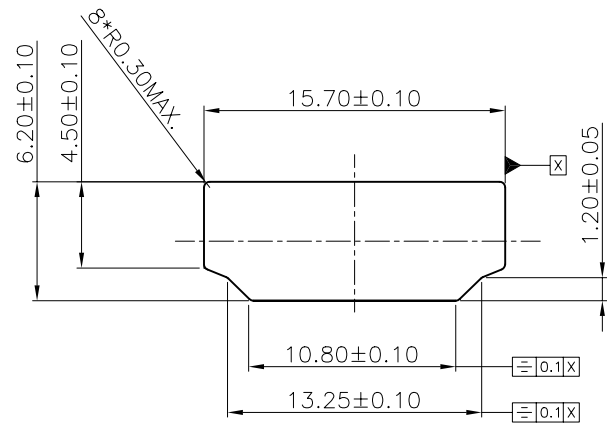
GENERAL TOLERANCE UNLESS OTHERWISE NOTED



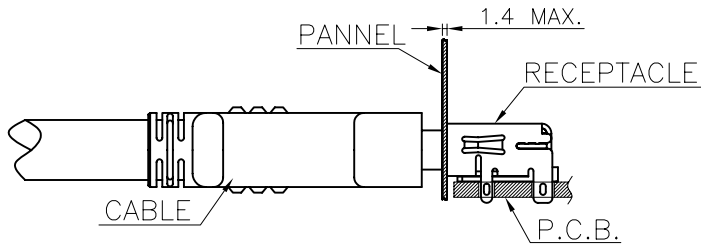
RoHS Compliant
2002/95/EC



RECOMMENDED PCB LAYOUT (THICKNESS=1.6±0.15mm)



REFERENCE PANEL CUT OUT DIMENSION



REFERNCE MOUNT DIMENSION

NO.	DESCRIPTION	MATERIAL	COLOR	REMARK
3	Terminal	Copper Alloy	—	Gold/Tin Plated Over Ni
2	Housing	High Temp.	Black	UL 94V-0
1	Shell	Metal	—	Ni Plated

SUYIN
CONNECTOR

CUSTOMER COPY TITLE: HDMI Receptacle SMT Type Female Connector Without Flange

PART NO. 100042MB019SX08ZA

PRODUCT SPEC. 100042MX019XXXXZX

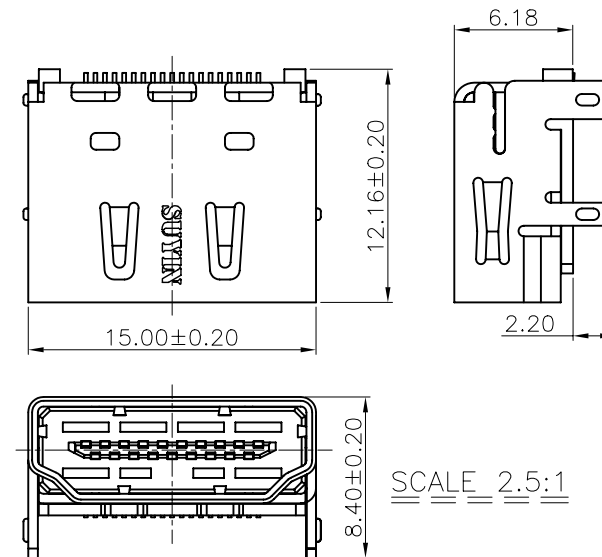
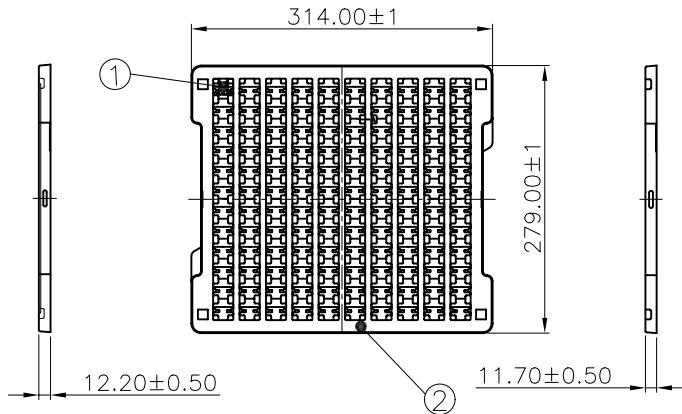
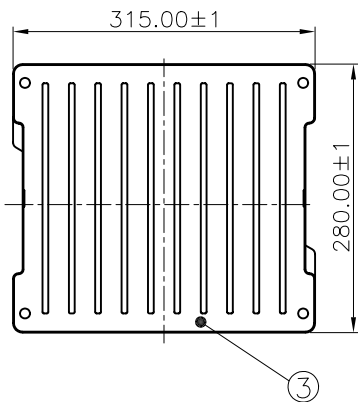
FILE NAME. DING 100042MB019SX08ZA-C

SCALE 2.5:1 UNIT:mm A4 SHEET: 2 of 3

ECN(DCN) NO.	REV	DATE	DESCRIPTION	CHANGE	APPRO.	GENERAL TOLERANCE UNLESS OTHERWISE NOTED	APPRO.
	0		NEW RELEASE	李楠 董俐	Angle 30 ~ ±2° ±0.50		DRAW 李楠 06'/11/29
DCB-061109-08	PA	06'/11/09	PA1:變更標注方式8.00->0.50;	鄧綬長 吳星德	10 ~ 30 ±0.30		DESIGN 李楠 06'/11/29
	P0	09/01/06'	NEW	李楠 董俐	~ 10 ±0.15		CHECK 鄭冰雨 06'/11/29
							APPRO. 吳星德 06'/11/29



RoHS Compliant
2002/95/EC



SCALE 2.5:1

1 Package Information

Part Number	Q'ty per tray
100042MB019SX08ZA	120 pcs

NOTE:1.ALL dimensions toerance are:
±0.30mm unless otherwise specified.

2.TRAY(BOTTOW):T=0.70mm
TRAY(Top):T=0.70mm

3	TRAY(TOP)	PVC	TRANS	———
2	TRAY(BOTTOM)	PVC	TRANS	———
1	Product	———	———	100042MB019SX08ZA
NO.	DESCRIPTION	MATERIAL	COLOR	REMARK

SUYIN
CONNECTOR

CUSTOMER COPY	TITLE:	HDMI Receptacle SMT Type Female Connector Without Flange		
PART NO.		100042MB019SX08ZA		
PRODUCT SPEC.		100042MX019XXXXZX		
FILE NAME.	DWG	100042MB019SX08ZA-C		
SCALE	1:8	UNIT:mm	A4	SHEET: 3 of 3

ECN(DCN) NO.	REV	DATE	DESCRIPTION	CHANGE	APPRO.	Angle	±2'	DRAW	李楠	06'/11/29
DCB-061109-08	PA	06'/11/29	NEW RELEASE	李楠 董俐	30 ~	±0.50	DESIGN	李楠	06'/11/29	
	PA	06'/11/09	PA 1:變更標注方式8.00->0.50	鄧綬長 吳星德	10 ~ 30	±0.30	CHECK	鄭冰雨	06'/11/29	
	P0	09/01/06'	NEW	李楠 董俐	~ 10	±0.15	APPRO.	吳星德	06'/11/29	
						GENERAL TOLERANCE UNLESS OTHERWISE NOTED				