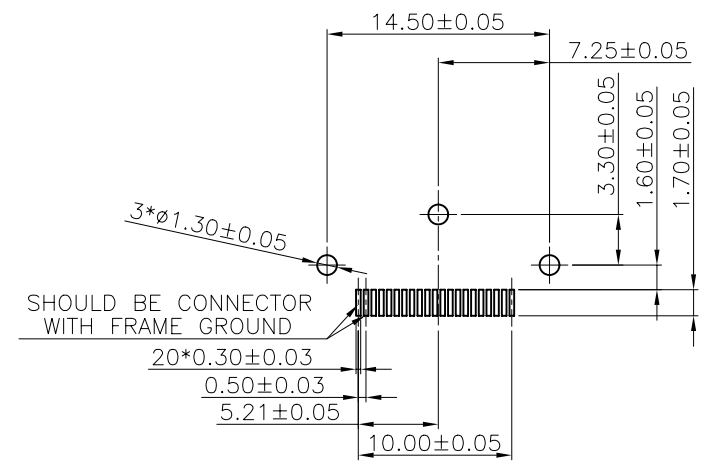
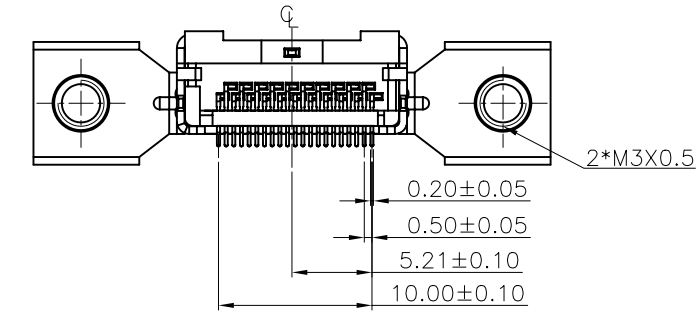
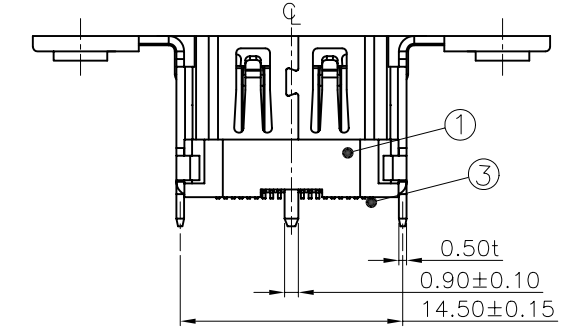
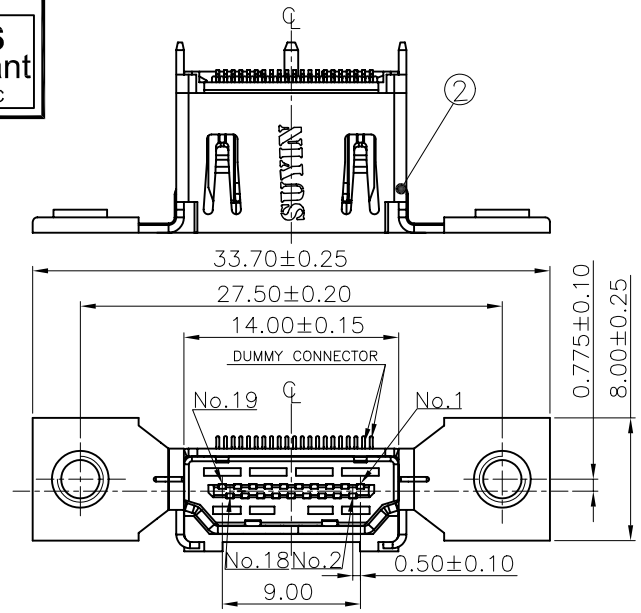




RoHS Compliant
2002/95/EC



RECOMMENED P.B.C. LAYOUT(T=1.6mm)

NOTES:

100042MA019S□05ZA

- 1.Plating
 - S1-05u" Min. gold in contact area/
100u" Min. Tin in solder area.
 - S2-Gold flash in contact area/
100u" Min. Tin in solder area.
 - S3-10u" Min. gold in contact area/
100u" Min. Tin in solder area.
 - S4-15u" Min. gold in contact area/
100u" Min. Tin in solder area.
 - S5-30u" Min. gold in contact area/
100u" Min. Tin in solder area.

3	Terminal	Copper Alloy	Gold/Tin Plated Over Ni	
2	Shell	Metal	Ni Plated	
1	Housing	High Temp. Black	UL 94V-0	
NO.	DESCRIPTION	MATERIAL	COLOR	REMARK



CUSTOMER COPY	TITLE:	HDMI Vertical SMT Type Female Connector		
PART NO.	100042MA019SX05ZA			
PRODUCT SPEC.	100042MX019XXXXZX			
FILE NAME.	DWG	100042MA019SX05ZA-C		
SCALE	2:1	UNIT:mm	A4	SHEET: 1 of 2

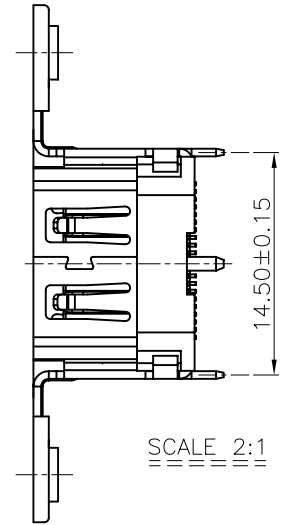
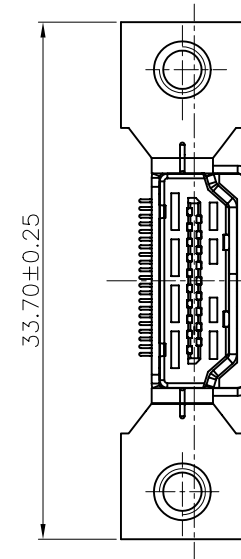
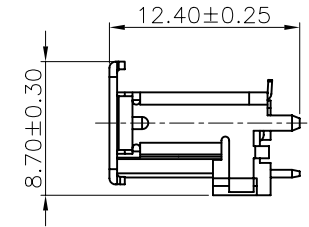
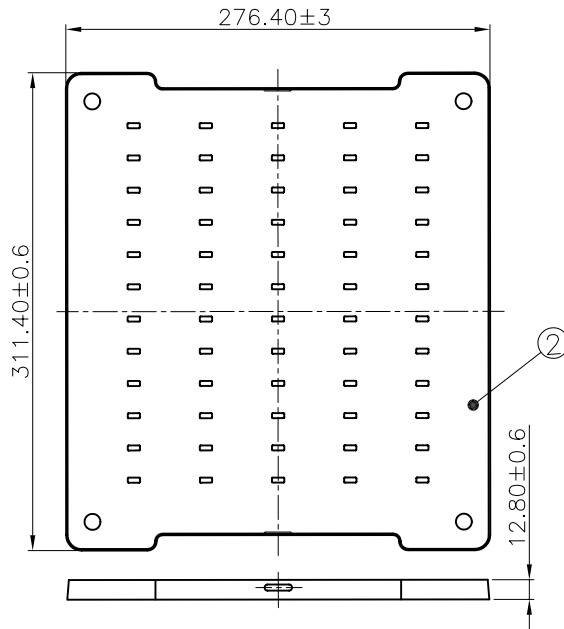
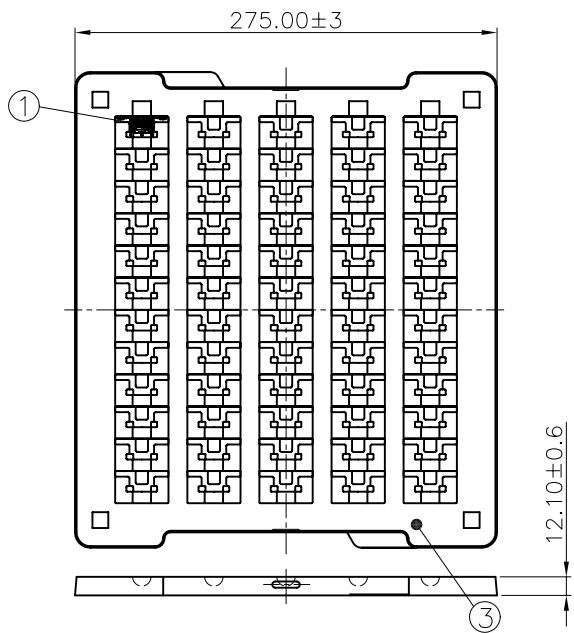
Angle	±2°	DRAW	李楠	06'/11/29				
30 ~	±0.50	DESIGN	李楠	06'/11/29				
10 ~ 30	±0.30	CHECK	鄭冰雨	06'/11/29				
~ 10	±0.15	APPRO.	童俐	06'/11/29				
GENERAL TOLERANCE UNLESS OTHERWISE NOTED								
ECN(DCN) NO.	REV	DATE	DESCRIPTION	CHANGE	APPRO.	GENERAL TOLERANCE UNLESS OTHERWISE NOTED	APPRO.	DATE
	0	09/01/06'	NEW RELEASE	李楠 童俐				
			NEW	李楠 童俐				

Original:Draw: 李楠 Design: 李楠 Check: 鄭冰雨 Appro: 童俐 發行日期: 06/09/01

061129-BM031



RoHS Compliant
2002/95/EC



SCALE 2:1

1 Package Information

Product Number	Q'ty per tube
100042MA019SX05ZA	60pcs

NOTE:1.All dimensions tolerance are:
±0.30mm unless otherwise specified.

2.Tray(Bottom):T=0.70mm
Tray(Cover):T=0.70mm

3	Tray(Bottom)	PVC	Trans	——
2	Tray(Cover)	PVC	Trans	——
1	Product	——	——	100042MA019SX05ZA
NO.	DESCRIPTION	MATERIAL	COLOR	REMARK

SUYIN
CONNECTOR

CUSTOMER COPY	TITLE: HDMI Vertical SMT Type Female Connector		
PART NO.	100042MA019SX05ZA		
PRODUCT SPEC.	100042MX019XXXXZX		
FILE NAME.	D	100042MA019SX05ZA-C	
SCALE	1:5	UNIT:mm	A4
SHEET: 2of2			

					Angle	±2'	DRAW	李楠	06'/11/29
					30 ~	±0.50	DESIGN	李楠	06'/11/29
	0		NEW RELEASE	李楠童俐	10 ~ 30	±0.30	CHECK	鄭冰雨	06'/11/29
	P0	09/01/06'	NEW	李楠童俐	~ 10	±0.15	APPRO.	童俐	06'/11/29
ECN(DCN) NO.	REV	DATE	DESCRIPTION	CHANGE	APPRO.	GENERAL TOLERANCE UNLESS OTHERWISE NOTED	APPRO.		