

PLEASE CHECK WWW.MOLEX.COM FOR LATEST PART INFORMATION

Part Number: [0850401055](#)
Status: **Active**
Overview: [din_41612](#)
Description: 2.54mm (.100") Pitch DIN 41612 Receptacle, Style B, 64 Circuits, Lead free

Documents:

[3D Model](#) [Product Specification PS-85042-001 \(PDF\)](#)
[Drawing \(PDF\)](#) [RoHS Certificate of Compliance \(PDF\)](#)

Agency Certification

CSA LR19980
 UL E29179

General

Product Family Backplane Connectors
 Series [85040](#)
 Application Daughtercard
 Comments No Mounting Clips. No Flux Proof
 Component Type PCB Receptacle
 Overview [din_41612](#)
 Product Name IEC 603-2/DIN 41612
 Style B

Physical

Circuits (Loaded) 64
 Circuits (maximum) 64
 Circuits Detail Rows A & B
 Durability (mating cycles max) 50
 First Mate / Last Break No
 Flammability 94V-0
 Guide to Mating Part No
 Keying to Mating Part Yes
 Number of Columns 32
 Number of Pairs Open Pin Field
 Number of Rows 2
 Orientation Vertical
 PC Tail Length (in) 0.114 In
 PC Tail Length (mm) 2.90 mm
 PCB Locator No
 PCB Retention Yes
 PCB Thickness Recommended (in) 0.063 In, 0.157 In
 PCB Thickness Recommended (mm) 1.60 mm, 4.00 mm
 Packaging Type Bag
 Pitch - Mating Interface (in) 0.100 In
 Pitch - Mating Interface (mm) 2.54 mm
 Pitch - Term. Interface (in) 0.100 In
 Pitch - Term. Interface (mm) 2.54 mm
 Polarized to PCB Yes
 Stackable No
 Surface Mount Compatible (SMC) No
 Temperature Range - Operating -55°C to +125°C
 Termination Interface: Style Through Hole

Electrical

Current - Maximum per Contact 1A
 Data Rate 622.0 Mbps

EU RoHS

**ELV and RoHS
 Compliant**
REACH SVHC
 Not Reviewed
**Halogen-Free
 Status**
Not Reviewed

China RoHS



**Need more information on product
 environmental compliance?**

Email productcompliance@molex.com
 For a multiple part number RoHS Certificate of
 Compliance, [click here](#)

Please visit the [Contact Us](#) section for any
 non-product compliance questions.

Search Parts in this Series

[85040Series](#)

Mates With

DIN 41612 Headers [85001](#)

| | |
|-------------------------|---------------|
| Real Signals (per 25mm) | 20 |
| Shielded | No |
| Voltage - Maximum | 250V AC (RMS) |

Solder Process Data

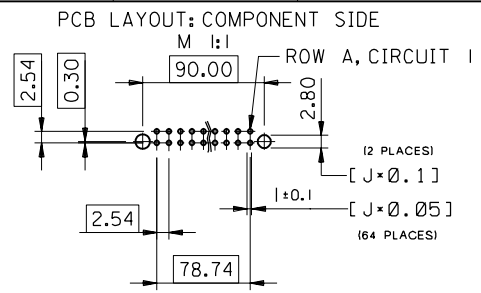
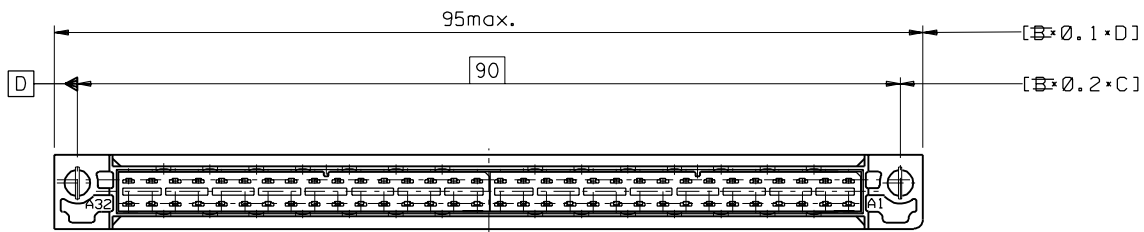
| | |
|--|------------------------|
| Duration at Max. Process Temperature (seconds) | 10 |
| Lead-free Process Capability | Wave Capable (TH only) |
| Process Temperature max. C | 260 |

Material Info**Reference - Drawing Numbers**

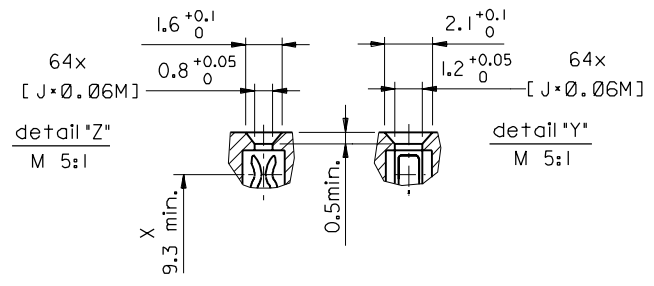
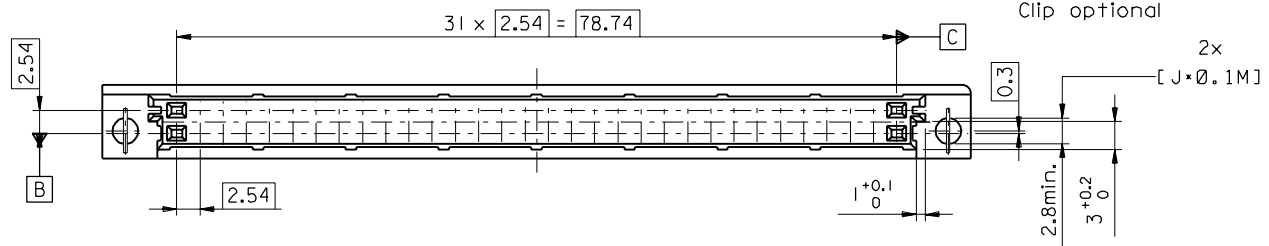
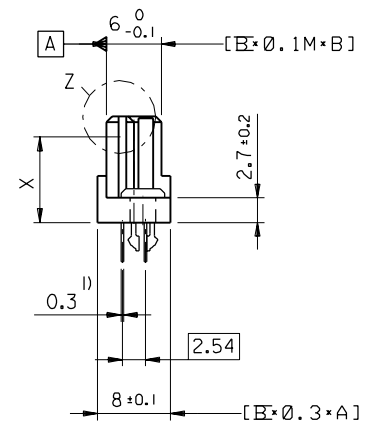
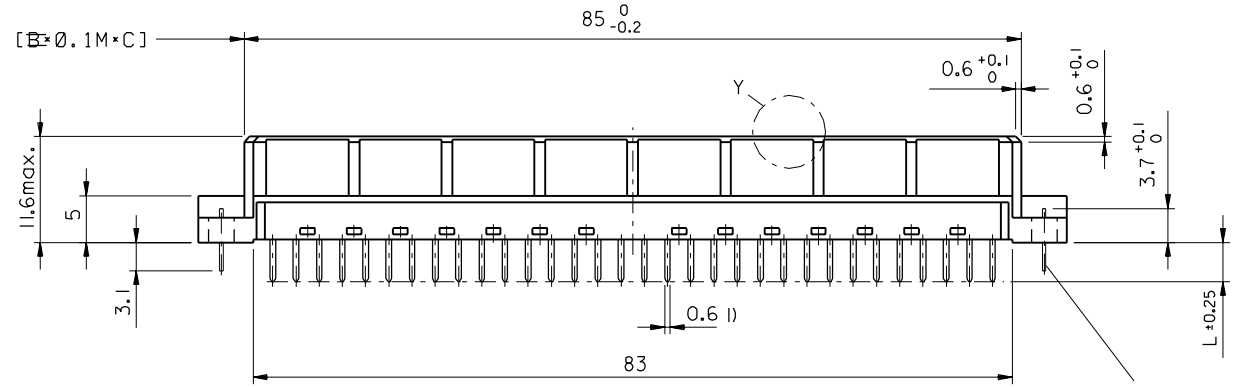
| | |
|-----------------------|--------------------------------|
| Product Specification | PS-85042-001 |
| Sales Drawing | SDA-85040-0001, SDA-85040-1055 |

This document was generated on 05/17/2010

PLEASE CHECK WWW.MOLEX.COM FOR LATEST PART INFORMATION



1) tails to fit in PC-board layout



| | | | |
|---|-------------------------------------|--|--|
| ECN MG1998-2727 new fixing clip 98-04-14 Co | REVISIONS | 3 PLACE ± | ± |
| | | 2 PLACE ± | ± |
| LTR | FOR PREVIOUS REVISIONS SEE MRI LIST | 1 PLACE ± | ± |
| | | DRAFT WHERE APPLICABLE MUST REMAIN WITHIN DIMENSIONS | |
| C | LTR | DESIGN DIMENSION | <input checked="" type="checkbox"/> MM |
| | | EQUIVALENT DIMENSION | <input type="checkbox"/> MM |
| | | SCALE | 2:1 |

| | | | | | |
|--|----------|---------------------------|---|----------|------|
| FIRST ANGLE PROJECTION | | REVISE ONLY ON CAD SYSTEM | | SH. | REV. |
| UNLESS OTHERWISE SPECIFIED TOLERANCES: ANGULAR ±2° | DRWG BY | CAECAM PROJECT NAME | THIS DRAWING CONTAINS INFORMATION THAT IS PROPRIETARY TO MOLEX INC. & SHOULD NOT BE USED WITHOUT WRITTEN PERMISSION | | |
| INCH | KN | 85040000 | | | |
| METRIC | CHK'D BY | 611 | TITLE | | |
| | Ca | | 64 pos. Female connector | | |
| | APP'D BY | | DIN 41612 style B + clip | | |
| | JB | | Dimensions | | |
| | SCALE | | MOLEX EUROPE | | |
| | | | SHEET NO. | DATE | |
| | | | 1 OF 1 | 95/11/14 | |
| | | | PART NO. | DWG NO. | SIZE |
| | | | SDA-85040-0001 | | B |

