

**PLEASE CHECK WWW.MOLEX.COM FOR LATEST PART INFORMATION**

**Part Number:** [0701070053](#)  
**Status:** **Active**  
**Overview:** [cgrid\\_sl\\_products](#)  
**Description:** 2.54mm (.100") Pitch SL™ Wire-to-Wire Panel Mount Crimp Housing, Single Row, Version B, With Mounting Ears, 19 Circuits

**Documents:**

[3D Model](#) [Product Specification PS-70400 \(PDF\)](#)  
[Drawing \(PDF\)](#) [RoHS Certificate of Compliance \(PDF\)](#)

**Agency Certification**

CSA	LR19980
TUV	R72081037
UL	E29179

**General**

Product Family	Crimp Housings
Series	<a href="#">70107</a>
Overview	<a href="#">cgrid_sl_products</a>
Product Name	SL™

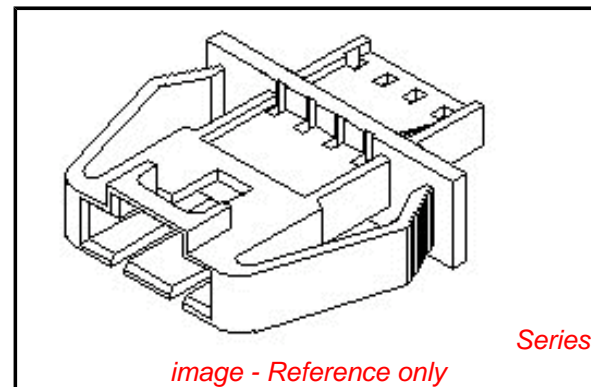
**Physical**

Circuits (maximum)	19
Color - Resin	Black
Flammability	94V-0
Gender	Male
Glow-Wire Compliant	No
Material - Resin	Polyester
Number of Rows	1
Packaging Type	Bag
Panel Mount	Yes
Pitch - Mating Interface (in)	0.100 In
Pitch - Mating Interface (mm)	2.54 mm
Temperature Range - Operating	-40°C to +120°C

**Material Info**

**Reference - Drawing Numbers**

Packaging Specification	PK-70107-100
Product Specification	PS-70400
Sales Drawing	SD-70107-0036-0059



**EU RoHS**

**ELV and RoHS Compliant**  
**REACH SVHC Contains SVHC: No**  
**Halogen-Free Status**

**China RoHS**



**Need more information on product environmental compliance?**

Email [productcompliance@molex.com](mailto:productcompliance@molex.com)  
 For a multiple part number RoHS Certificate of Compliance, [click here](#)

Please visit the [Contact Us](#) section for any non-product compliance questions.

**Search Parts in this Series**

[70107Series](#)

**Mates With**

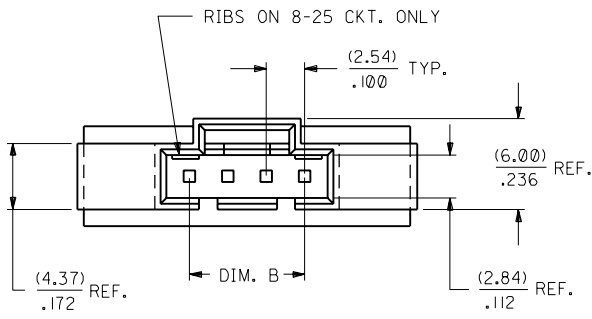
[70400G](#) ,, [70066g](#) Housing, [70430g](#) Receptacle

**Use With**

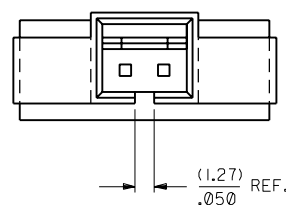
[70021](#)

NOTES:

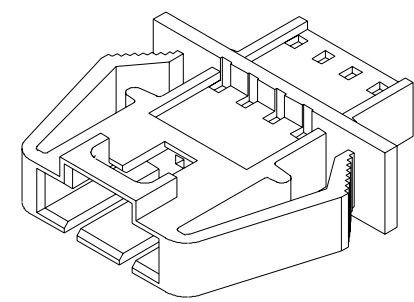
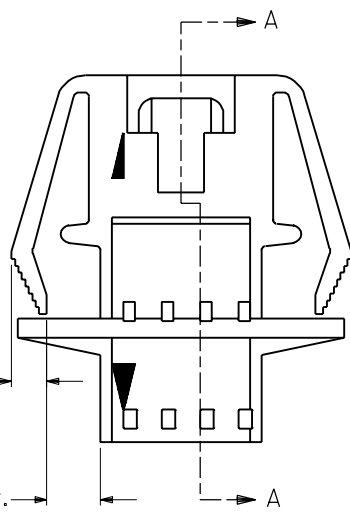
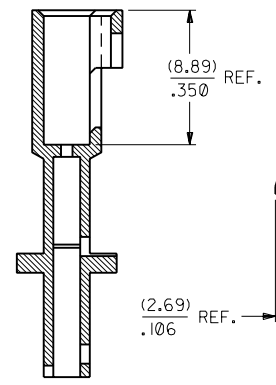
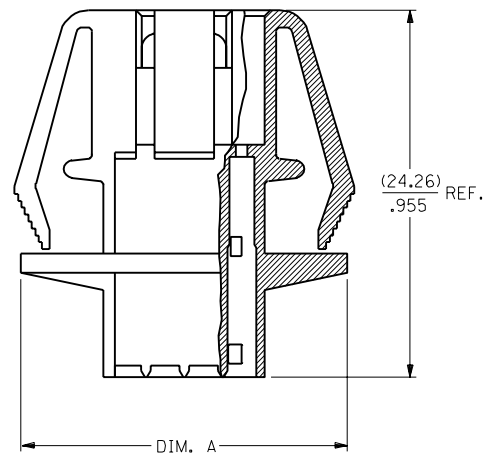
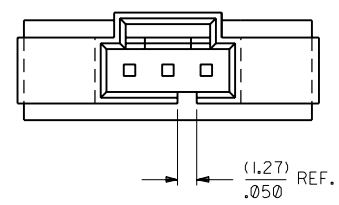
- 1) MATERIAL: POLYESTER, 94V-0  
COLOR: BLACK
- 2) HOUSING TO BE USED WITH TERMINAL  
PT. NO. 70021-\*\*\*\*
- 3) SEE CHART FOR CIRCUIT SIZES
- 4) TO BE USED WITH 70400 SERIES  
CONNECTORS (STYLE "G")
- 5) PANEL THICKNESS (0.81)/.032 - (2.36)/.093
- 6) SEE SHEET 3 FOR MOUNTING HOLE DIMENSIONS.
- 7) SEE SHEET 2 FOR OPTIONAL SKIRT AND  
SHROUD CONFIGURATIONS
- 8) PACKAGE PER PK-70107-100.



2 CIRCUIT



3 CIRCUIT



CKT. SIZE	EDP. NO.	ENG. NO.	70107	
			A	B
2	701-07-0036	70107-0036	(16.51) .650	(2.54) .100
3	701-07-0037	70107-0037	(19.05) .750	(5.08) .200
4	701-07-0038	70107-0038	(21.59) .850	(7.62) .300
5	701-07-0039	70107-0039	(24.13) .950	(10.16) .400
6	701-07-0040	70107-0040	(26.67) 1.050	(12.70) .500
7	701-07-0041	70107-0041	(29.21) 1.150	(15.24) .600
8	701-07-0042	70107-0042	(31.75) 1.250	(17.78) .700
9	701-07-0043	70107-0043	(34.29) 1.350	(20.32) .800
10	701-07-0044	70107-0044	(36.83) 1.450	(22.86) .900
11	701-07-0045	70107-0045	(39.37) 1.550	(25.40) 1.000
12	701-07-0046	70107-0046	(41.91) 1.650	(27.94) 1.100
13	701-07-0047	70107-0047	(44.45) 1.750	(30.48) 1.200
14	701-07-0048	70107-0048	(46.99) 1.850	(33.02) 1.300
15	701-07-0049	70107-0049	(49.53) 1.950	(35.56) 1.400
16	701-07-0050	70107-0050	(52.07) 2.050	(38.10) 1.500
17	701-07-0051	70107-0051	(54.61) 2.150	(40.64) 1.600
18	701-07-0052	70107-0052	(57.15) 2.250	(43.18) 1.700
19	701-07-0053	70107-0053	(59.69) 2.350	(45.72) 1.800
20	701-07-0054	70107-0054	(62.23) 2.450	(48.26) 1.900
21	701-07-0055	70107-0055	(64.77) 2.550	(50.80) 2.000
22	701-07-0056	70107-0056	(67.31) 2.650	(53.34) 2.100
23	701-07-0057	70107-0057	(69.85) 2.750	(55.88) 2.200
24	701-07-0058	70107-0058	(72.39) 2.850	(58.42) 2.300
25	701-07-0059	70107-0059	(74.93) 2.950	(60.96) 2.400

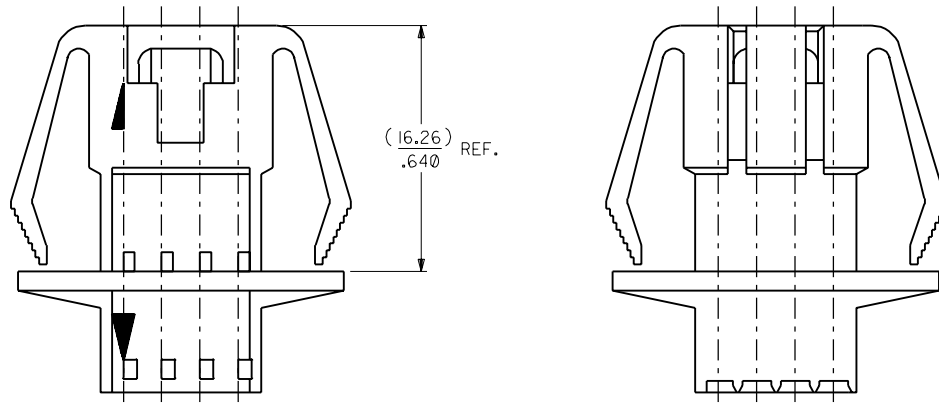
3	G
2	J
1	J
MFG. SH. REV.	

LTR.	REVISIONS	LTR.	REVISIONS	I ADD PKG NOTE PER UDT2000-0489 SCHAFFER 99/12/1 H REVISED EAR DIM'S PER ECR #9533 12/1/86 MJM/JAS G REDRAWN ON CAD ADD NEW SHEET 2 PER ECR #9280 8/21/86 MJM	DIMENSIONS SHOWN (METRIC) INCH UNLESS OTHERWISE SPECIFIED TOLERANCES: ANGULAR ± 1/2°	3 PLACE ± .010 --- 2 PLACE ± .014 ± 0.25 1 PLACE --- ± 0.35	DRAFT WHERE APPLICABLE MUST REMAIN WITHIN DIMENSIONS	DRWG. NO. SD-70107-0036-0059
					DRWG. BY RS APP'D. BY WAZ	CHK'D. BY MJM SCALE 4:1	TITLE HOUSING, CONNECTOR (2.54)/.100 GRID	SHEET NO. 1 OF 3 DATE 7 / 4/86

MOLEX INCORPORATED  
 1315 L. ILL. U.S.A. 60532  
 FILE NAME S70107X02  
 THIS DRAWING CONTAINS INFORMATION THAT IS PROPRIETARY TO MOLEX INC. AND SHOULD NOT BE USED WITHOUT WRITTEN PERMISSION.

13 12 11 10 9 8 7 6 70107 4 3 2 1

J I H G F E D C B A



OPTIONAL CONFIGURATIONS FOR INTERNATIONAL MOLD

70107

MFG. SH. REV.

DIMENSIONS SHOWN (METRIC) INCH  
UNLESS OTHERWISE SPECIFIED  
TOLERANCES: ANGULAR ± 1/2°

	INCH	METRIC
3 PLACE	± .010	---
2 PLACE	± .014	± 0.25
1 PLACE	---	± 0.35

DRAFT WHERE APPLICABLE MUST  
REMAIN WITHIN DIMENSIONS

DRWG. BY: RS    CHK'D. BY: MJM  
APP'D. BY: WAZ    SCALE: 4:1

REVISIONS ONLY ON CAD SYSTEM

TITLE: HOUSING, CONNECTOR (2.54)/.100 GRID

MOLEX INCORPORATED U.S.A. SHEET NO. 2 DATE 7 / 4 / 86  
L15LE.I1LL. 60532

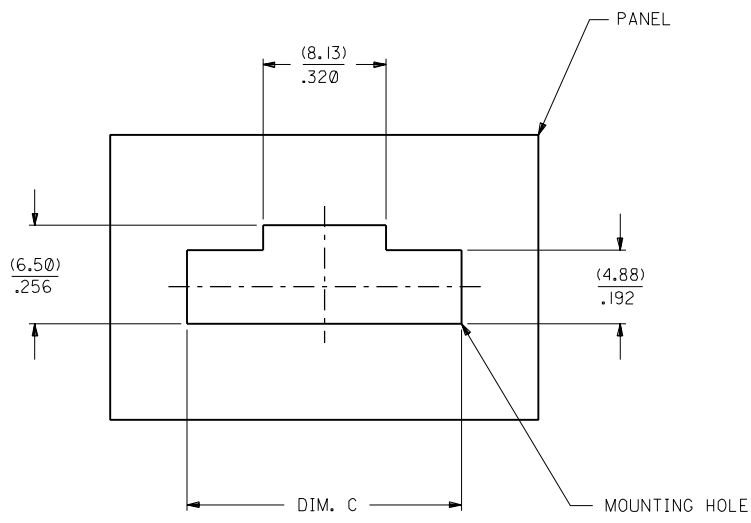
PART NO. SD-70107-0036-0059

FILE NAME: S70107X06.DGN  
THIS DRAWING CONTAINS INFORMATION THAT IS PROPRIETARY TO MOLEX INC. AND SHOULD NOT BE USED WITHOUT WRITTEN PERMISSION.

DIV. DA    SIZE C

		G	SEE SHEET I
LTR.	REVISIONS	LTR.	REVISIONS

13 12 11 10 9 8 7 6 5 4 3 2 1



RECOMMENDED MOUNTING HOLE LAYOUT

CKT. SIZE	EDP. NO.	ENG. NO.	C
2	701-07-0036	70107-0036	(13.08) .515
3	701-07-0037	70107-0037	(15.62) .615
4	701-07-0038	70107-0038	(18.61) .715
5	701-07-0039	70107-0039	(20.70) .815
6	701-07-0040	70107-0040	(23.24) .915
7	701-07-0041	70107-0041	(25.78) 1.015
8	701-07-0042	70107-0042	(28.32) 1.115
9	701-07-0043	70107-0043	(30.86) 1.215
10	701-07-0044	70107-0044	(33.40) 1.315
11	701-07-0045	70107-0045	(35.94) 1.415
12	701-07-0046	70107-0046	(38.48) 1.515
13	701-07-0047	70107-0047	(41.02) 1.615
14	701-07-0048	70107-0048	(43.56) 1.715
15	701-07-0049	70107-0049	(46.10) 1.815
16	701-07-0050	70107-0050	(48.64) 1.915
17	701-07-0051	70107-0051	(51.18) 2.015
18	701-07-0052	70107-0052	(53.72) 2.115
19	701-07-0053	70107-0053	(56.26) 2.215
20	701-07-0054	70107-0054	(58.80) 2.315
21	701-07-0055	70107-0055	(61.34) 2.415
22	701-07-0056	70107-0056	(63.88) 2.515
23	701-07-0057	70107-0057	(66.42) 2.615
24	701-07-0058	70107-0058	(68.96) 2.715
25	701-07-0059	70107-0059	(71.50) 2.815

70107

MFG. SH. REV.

DIMENSIONS SHOWN (METRIC) INCH  
UNLESS OTHERWISE SPECIFIED  
TOLERANCES: ANGULAR ± 1/2°

	INCH	METRIC
3 PLACE	± .005	---
2 PLACE	± .01	± 0.13
1 PLACE	---	± 0.25

DRAFT WHERE APPLICABLE MUST REMAIN WITHIN DIMENSIONS

DRWG. BY: RS CHK'D. BY: MJM  
APP'D. BY: WAZ SCALE: 4:1

REVISIONS ONLY ON CAD SYSTEM

TITLE: HOUSING, CONNECTOR (2.54)/.100 GRID

MOLEX INCORPORATED SHEET NO. 3 DATE 7 / 5 / 86  
LISLE, ILL. 60532 U.S.A.

PART NO. SD-70107-0036-0059

FILE NAME: S70107X03.DWG DIV. 15 SIZE DA 1 C

THIS DRAWING CONTAINS INFORMATION THAT IS PROPRIETARY TO MOLEX INC. AND SHOULD NOT BE USED WITHOUT WRITTEN PERMISSION.

LTR.	REVISIONS	LTR.	REVISIONS
		G	SEE SHEET I