

**PLEASE CHECK WWW.MOLEX.COM FOR LATEST PART INFORMATION**

**Part Number:** [0685060511](#)  
**Status:** **Active**  
**Description:** 6.35mm (.250") Tab Micro Relay Socket, Female, 5 Circuits

**Documents:**

[3D Model](#) [Product Specification PS-68506-001 \(PDF\)](#)  
[Drawing \(PDF\)](#) [RoHS Certificate of Compliance \(PDF\)](#)

**General**

Product Family	Other Sockets
Series	68506
Component Type	Socket
Product Name	N/A

**Physical**

Circuits (Loaded)	5
Circuits (maximum)	5
Color - Resin	Black, Natural
Durability (mating cycles max)	Contact Molex
Entry Angle	Vertical
Keying to Mating Part	N/A
Material - Resin	Polyester
PCB Locator	No
PCB Retention	N/A
Packaging Type	Bag
Pitch - Mating Interface (in)	0.236 In, 0.315 In
Pitch - Mating Interface (mm)	6.00 mm, 8.00 mm
Pitch - Term. Interface (in)	0.236 In, 0.315 In
Pitch - Term. Interface (mm)	6.00 mm, 8.00 mm
Temperature Range - Operating	-40°C to +120°C

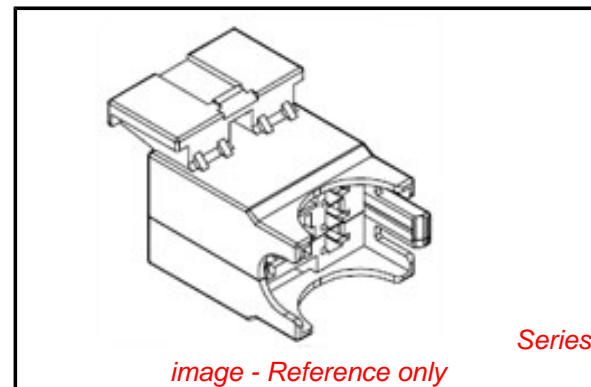
**Electrical**

Current - Maximum per Contact	3A
Voltage - Maximum	N/A

**Material Info**

**Reference - Drawing Numbers**

Product Specification	PS-68506-001
Sales Drawing	SD-68506-001



**EU RoHS**

**ELV and RoHS  
Compliant**  
**REACH SVHC**  
 Not Reviewed  
**Halogen-Free  
Status**

**China RoHS**



**Need more information on product  
environmental compliance?**

Email [productcompliance@molex.com](mailto:productcompliance@molex.com)  
 For a multiple part number RoHS Certificate of  
 Compliance, [click here](#)

Please visit the [Contact Us](#) section for any  
 non-product compliance questions.

**Search Parts in this Series**

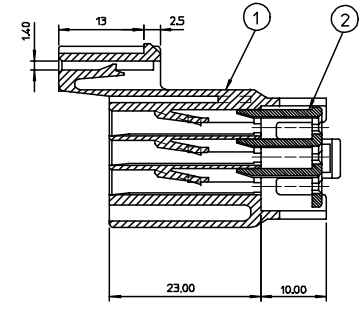
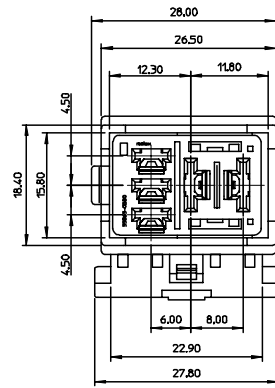
68506Series

**Use With**

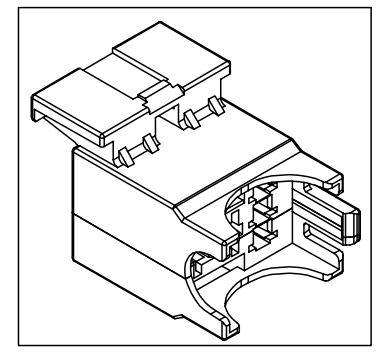
35427 6.00mm (.236") Tab Wire-to-Wire  
 Terminal

DWG. NO. SD-68506-001  
 PROJECT NO. SD-68506-001  
 SIMILAR ITEM  
 DO NOT SCALE DRAWING  
 DIMENSION IN METRIC

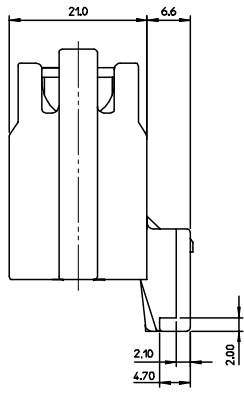
12 11 10 9 8 7 6 5 4 3 2 1



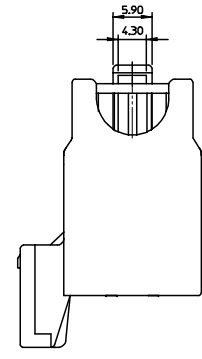
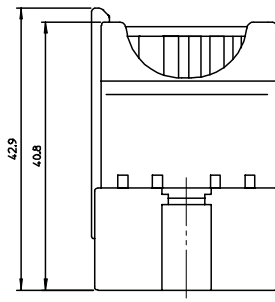
Section A-A



ISOVIEW



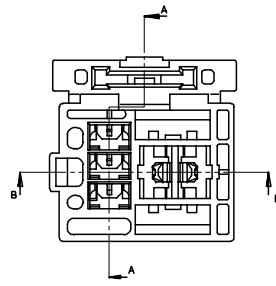
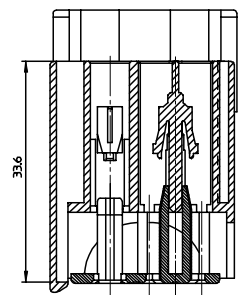
Section B-B



<NOTE>

1. MATERIAL & FINISH : SEE TABLE

NO.	PART NO.	PART NAME	MATERIAL	REMARK
1	68506-0591 /68506-0593	MICRO RELAY HSG-5P	POLYESTER	BLACK /YELLOW
2	35865-0580	MICRO RELAY TPA-5P	POLYESTER	WHITE



NO.	685060513	68506-0513
MATERIAL NO.	685060511	68506-0511
ENG. NO.		

ADDED REV ECN NO. KOR2007-0062 DRAWN: H.Y.SONG 06/12/05 CHR: B.C.YOON 06/12/05 APPR: S.H.KANG	QUALITY SYMBOLS MAJOR CRITICAL	GENERAL TOLERANCES: (UNLESS SPECIFIED) (mm) INCH	SCALE 2:1	DESIGN UNITS <input checked="" type="checkbox"/> (mm) <input type="checkbox"/> INCH	DIMENSIONS: <input type="checkbox"/> (mm) <input type="checkbox"/> INCH <input type="checkbox"/> (mm) ONLY	SHT REV	
	DESCRIPTION MAJOR CRITICAL	DRAWN BY & DATE S.M.KIM 02/01/18	CHECKED BY & DATE H.C.RHO 02/01/18	APPROVED BY & DATE C.W.LEE 02/01/18	CAD FILENAME 68506ACA.MI	TITLE MICRO RELAY SOCKET-5P ASSY	SHEET NO 1/1
	REV C	MATERIAL NO. 685060511	ENG. NO. 68506-0511	CAD FILENAME 68506ACA.MI	MATERIAL NO. SEE TABLE	DRAWING NO. SD-68506-001	SIZE C
	DRAFT WHERE APPLICABLE MUST REMAIN WITHIN DIMENSIONS						THIS DRAWING CONTAINS INFORMATION THAT IS PROPRIETARY TO MOLEX INCORPORATED AND SHOULD NOT BE USED WITHOUT WRITTEN PERMISSION.

12 11 10 9 8 7 6 5 4 3 2 1 KOREA MX-A2