

## SHIELDED SMD INDUCTOR DR358-3 SERIES

### Features

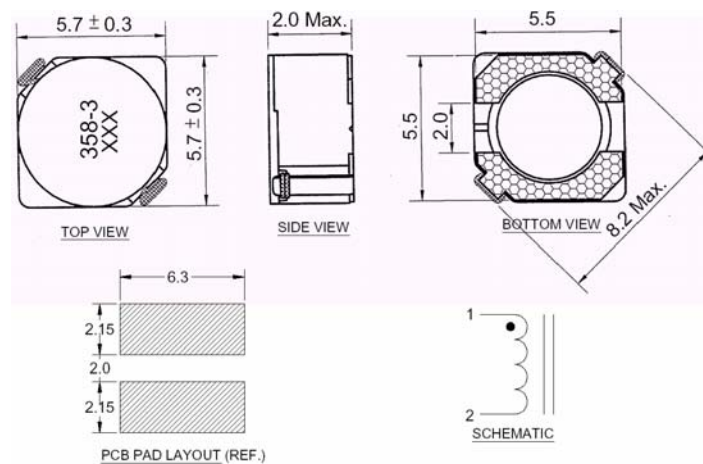
- Low Profile Surface Mount Design
- Flat Top for Pick and Place
- Inductance Range from 4.1 $\mu$ H to 100.0 $\mu$ H
- Operating Temp. -20°C to +80°C
- Tinned Leads with Leaded Solder is Available (note 7)



### ELECTRICAL SPECIFICATIONS AT 25°C

Part No.	Inductance ( $\mu$ H) $\pm$ 30%	DCR ( $\Omega$ ) Max.	I rated (A) Max.
DR358-3-412	4.1	0.057	1.95
DR358-3-542	5.4	0.076	1.60
DR358-3-622	6.2	0.096	1.40
DR358-3-892	8.9	0.116	1.25
DR358-3-103	10.0	0.124	1.20
DR358-3-123	12.0	0.153	1.10
DR358-3-153	15.0	0.196	0.97
DR358-3-183	18.0	0.210	0.85
DR358-3-223	22.0	0.290	0.80
DR358-3-273	27.0	0.330	0.75
DR358-3-333	33.0	0.386	0.65
DR358-3-393	39.0	0.520	0.57
DR358-3-473	47.0	0.595	0.54
DR358-3-563	56.0	0.665	0.50
DR358-3-683	68.0	0.840	0.43
DR358-3-823	82.0	0.978	0.41
DR358-3-104	100.0	1.200	0.36

### MECHANICAL OUTLINES



#### Notes:

1. All dimensions are shown in millimeter "mm"
2. General tolerance  $\pm$ 0.2mm, unless other specified
3. Inductance Test: 100kHz, 0.1Vrms
4. I<sub>rated</sub> for an approximate 40°C temperature rise
5. I<sub>rated</sub> for an approximate 35% drop maximum of the initial value
6. Tape and reel quantity, 2000 pcs/reel
7. For non-RoHS parts replace DR prefix with 42- (e.g. DR358-3 becomes 42-358-3)
8. Terminal finish is compliant to RoHS requirements. Solder in accordance with J-STD-020C.