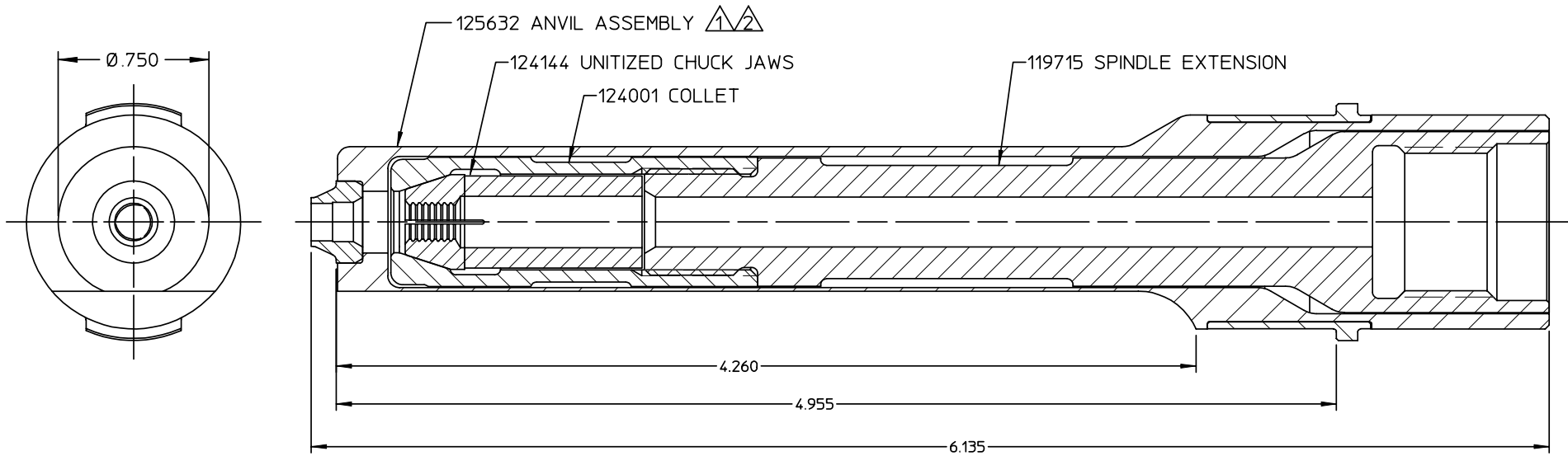


# DATA SHEET



**Alcoa Fastening Systems**


Commercial Products  
1 Corporate Drive, Kingston, NY 12401


TYPE:	NON-SELF-RELEASING
FASTENER:	-08 BR
TOOL(S):	245, 246, 353, 2502, 2503, 2580
Notes:	Product Revision: <b>A</b>
US Patent:	Date: 07/08/03

99-2747

Part Number

NOTES:

 ANVIL ASSEMBLY 125632 CONSISTS OF:  
ANVIL HOLDER ASSEMBLY 125054,  
ANVIL INSERT 119381.

 ANVIL HOLDER ASSEMBLY 125054 CONSISTS OF:  
ANVIL HOLDER 125053 AND  
RETAINER 120737.