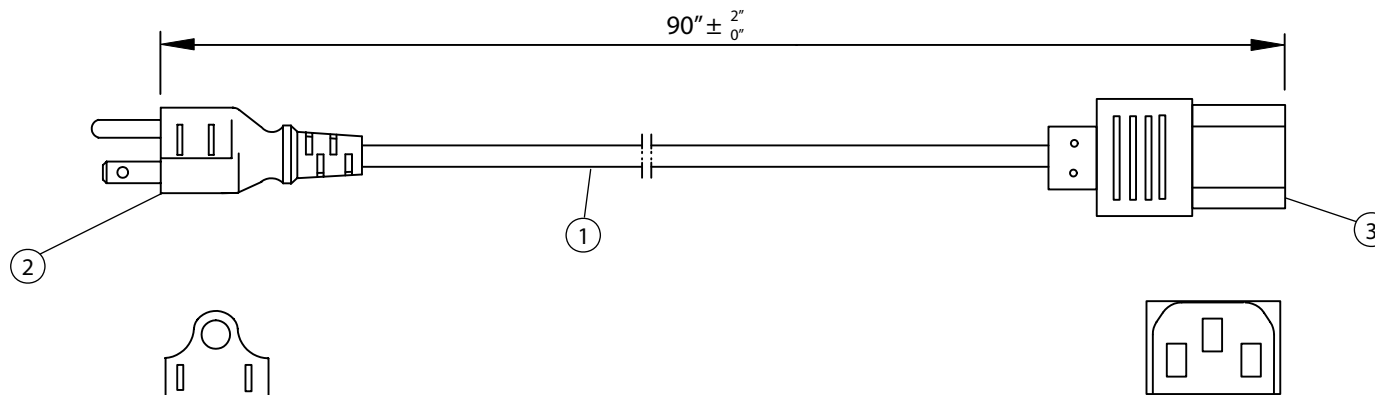


THESE DRAWINGS ARE THE PROPERTY OF QUALTEK ELECTRONICS AND NOT TO BE REPRODUCED FOR OR COMMUNICATED TO A THIRD PARTY WITHOUT THE EXPRESS WRITTEN PERMISSION OF AN OFFICER OF QUALTEK ELECTRONICS.

| REVISION | | | |
|----------|-----------------|----------|----------|
| REV. | DESCRIPTION | DATE | APPROVED |
| B | RoHS Compliancy | 06-01-06 | D.P. |
| | | | |



NOTES:

1. CORDAGE: SVT, 18AWG / 3C, UNSHIELDED, CEE COLOR CODE, TEMP. RATING 105°C, RATING: 125V 10A, JACKET COLOR: BLACK
2. PLUG: NEMA 5-15P
3. CONNECTOR: IEC 60320 C-13
4. APPROVALS: UL, cUL
5. ROHS COMPLIANT

CONTROLLED

| Dim range (mm) | | Tolerance +/- (mm) | | Qualtek Electronics Corp. PPC DIVISION | | |
|----------------|--|--------------------|--|---|----------------|-----------------|
| 0-1 | | 0.15 | | Part Number: 312021-01 | | RoHS Compliant |
| 1-6 | | 0.20 | | Description: POWER CORD | | |
| 6-18 | | 0.30 | | UNIT: in | | REV. B |
| 18-50 | | 0.50 | | Drawn / Date | Checked / Date | Approved / Date |
| 50-120 | | 0.70 | | M.Tsai 10-28-01 | 10-28-01 | JJH / 10-28-01 |
| 120-250 | | 0.90 | | | | |
| 250-500 | | 1.20 | | | | |