



Data Sheet



Product Category: RF SAW Filter

Part Number
802-RF947.5M-A

Package
3.0 x 3.0 SMD

Application
GSM System

Last Modified
Feb. 04 2003

TYPE :
947.5 MHz RF SAW Filter



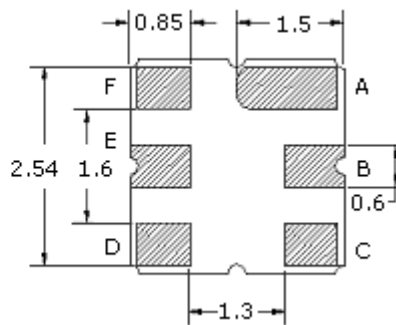
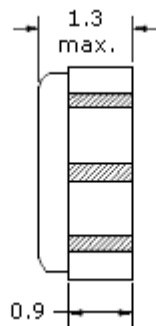
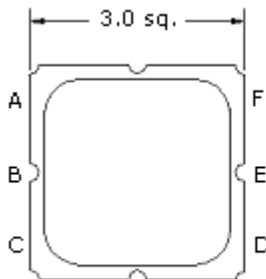
PART NUMBER :
802-RF947.5M-A

OPERATING CONDITIONS / ELECTRICAL CHARACTERISTICS

PARAMETERS	Condition	Minimum	Typical	Maximum	Units
Center Frequency	-	-	947.5	-	MHz
Insertion Loss	935.0 ~ 960.0 MHz	-	2.6	3.5	dB
DC Voltage	-	-	-	5	V
Input Power	-	-	-	15	dBm
Operating Temperature	-	-30	-	+85	°C
Storage Temperature	-	-40	-	+85	°C
Ripple	935.0 ~ 960.0 MHz	-	0.9	1.5	dB
Stopband Attenuation	DC ~ 870.0MHz	25.0	30.0	-	dB
	870.0 ~ 915.0 MHz	30.0	35.0	-	
	980.0 ~ 985.0 MHz	20.0	25.0	-	
	985.0 ~ 1025.0 MHz	30.0	37.0	-	
	1025.0 ~ 1500.0 MHz	28.0	34.0	-	
	1500.0 ~ 2000.0 MHz	30.0	38.0	-	
VSWR	935.0 ~ 960.0 MHz	-	2.1	2.5	-
Source Impedance	Single Ended	-	50	-	ohm
Load Impedance	Single Ended	-	50	-	ohm
Terminating Impedance	-	-	50	-	ohm

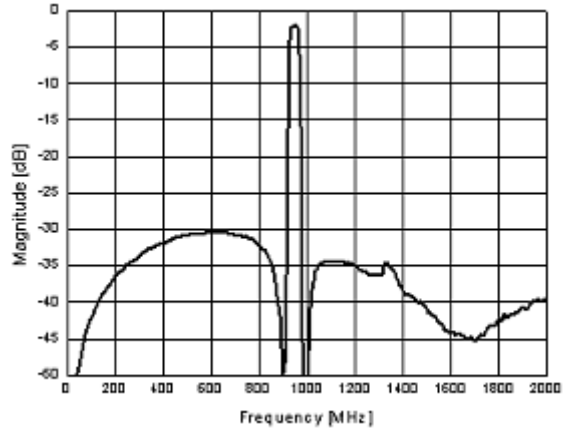
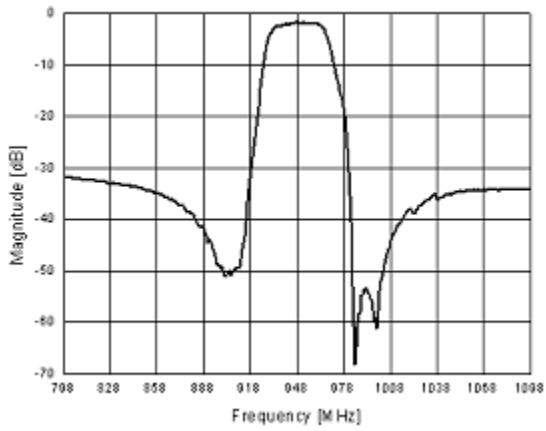
* Maximum Rating (Ta=25°C)

** Custom SAW RF Filters available. Contact Oscilent for assistance.

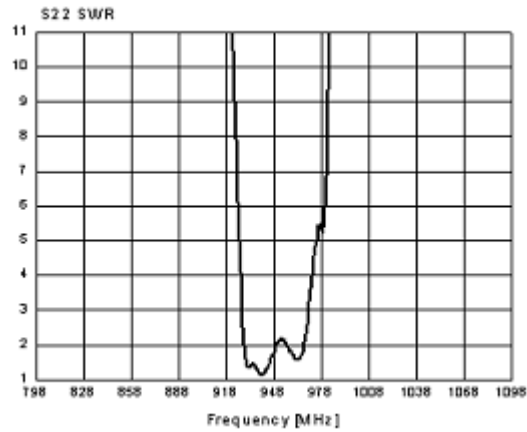
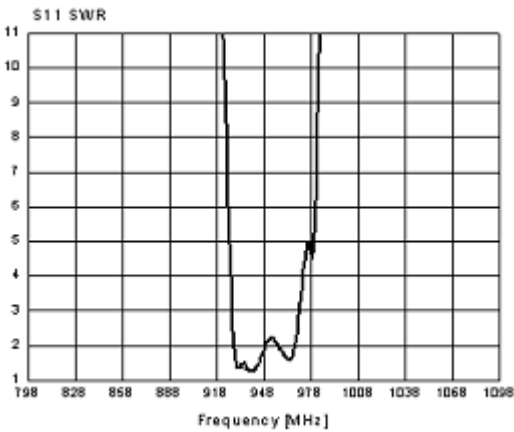


Pin Layout	
A	Ground
B	Output
C	Ground
D	Ground
E	Input
F	Ground

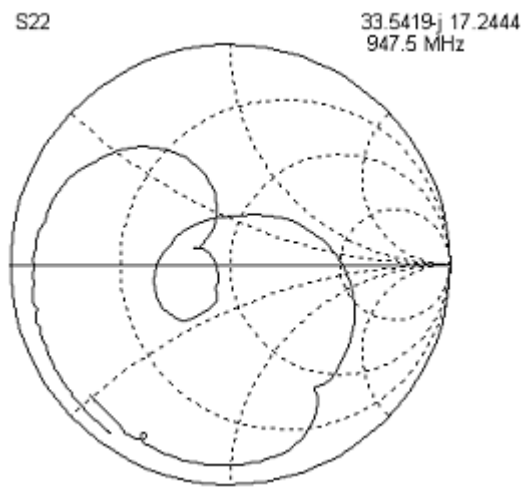
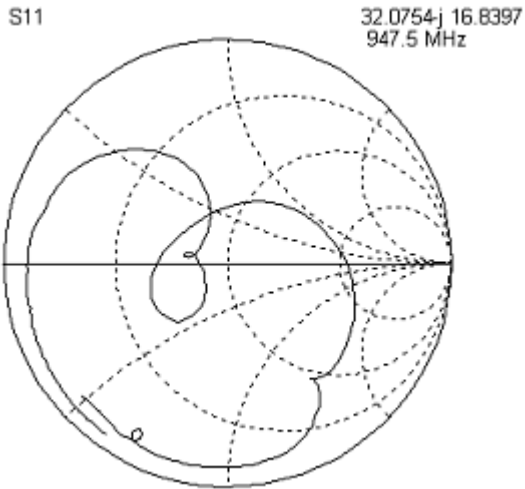
Frequency Reponse



VSWR (S11, S22)



Smith Chart



Oscilent Corporation - CALL **949.252.0522**
 17962 Sky Park Circle . Building D . Irvine . CA 92614 . USA
 Fax: 949.252.0599 . E-Mail: Sales@Oscilent.com

Part No.: 802-RF947.5M-A