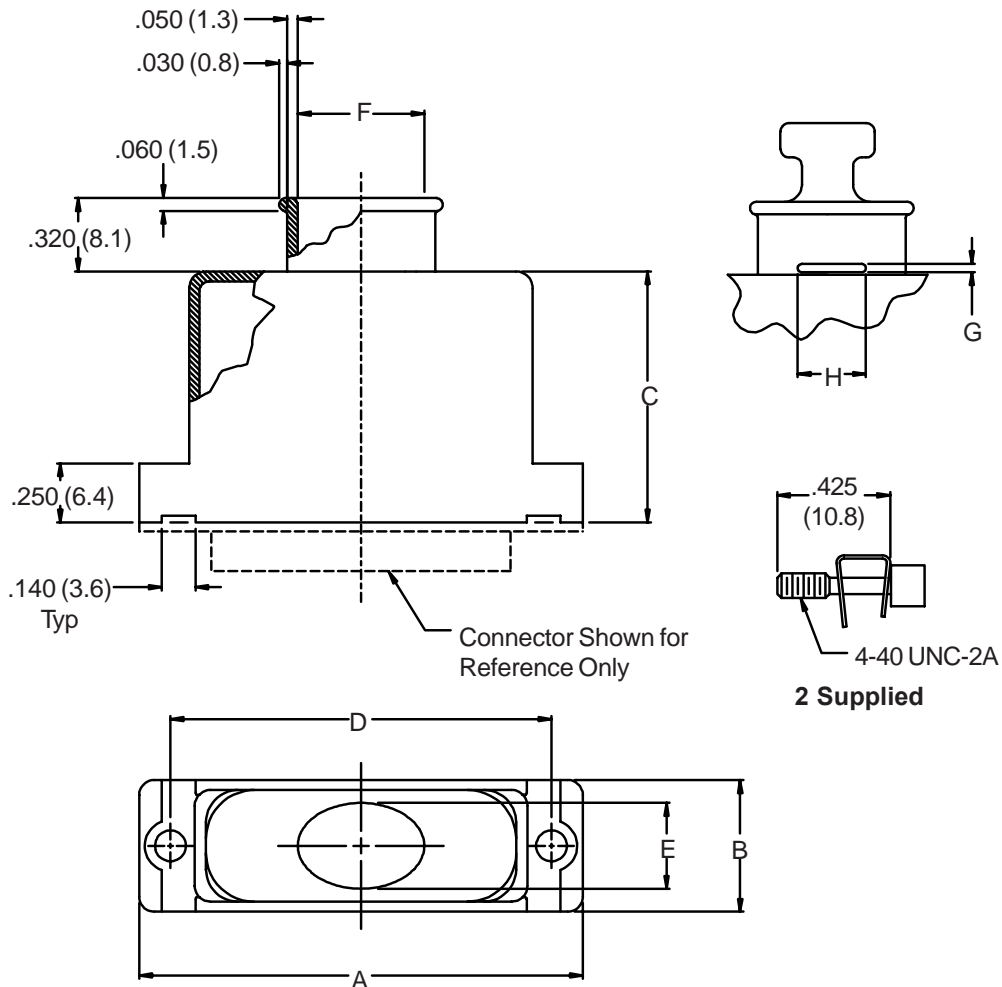
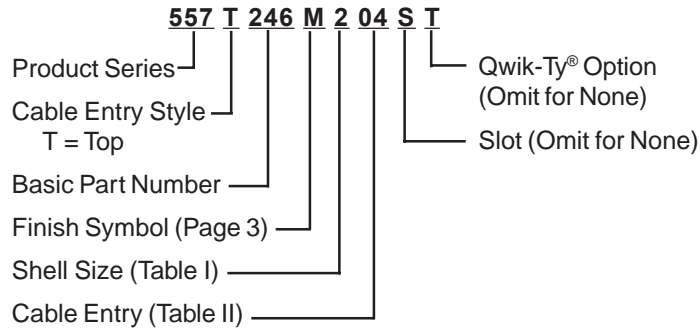




**557-246**  
**EMI/RFI Banding Backshell Assembly**  
for MIL-DTL-24308 Connectors  
with Optional Qwik-Ty®



Metric Dimensions (mm) are indicated in parentheses.

**557-246**  
**EMI/RFI Banding Backshell Assembly**  
for MIL-DTL-24308 Connectors  
with Optional Qwik-Ty®



MIL-C-24308  
D-Subminiature

**TABLE I: SHELL SIZE & CONNECTOR INTERFACE DIMENSIONS**

| Shell Size | A Max        | B           | C            | D<br>±.005 (.1) | E Dim       | Max Dash No |
|------------|--------------|-------------|--------------|-----------------|-------------|-------------|
| 1          | 1.250 (31.8) | .530 (13.5) | 1.500 (38.1) | .984 (25.0)     | .375 (9.5)  | 05          |
| 2          | 1.580 (40.1) | .530 (13.5) | 1.500 (38.1) | 1.312 (33.3)    | .375 (9.5)  | 08          |
| 3          | 2.130 (54.1) | .530 (13.5) | 1.500 (38.1) | 1.852 (47.0)    | .375 (9.5)  | 12          |
| 4          | 2.770 (70.4) | .530 (13.5) | 1.500 (38.1) | 2.500 (63.5)    | .375 (9.5)  | 16          |
| 5          | 2.680 (68.1) | .660 (16.8) | 1.500 (38.1) | 2.406 (61.1)    | .484 (12.3) | 16          |
| 6          | 2.770 (70.4) | .730 (18.5) | 1.500 (38.1) | 2.500 (63.5)    | .554 (14.1) | 16          |

**TABLE II: CABLE ENTRY**

| Entry Size | F Dim        | G Dim      | G Dim      |
|------------|--------------|------------|------------|
| 04         | .500 (12.7)  | .080 (2.0) | .190 (4.8) |
| 05         | .625 (15.9)  | .080 (2.0) | .190 (4.8) |
| 06         | .750 (19.1)  | .080 (2.0) | .220 (5.6) |
| 07         | .875 (22.2)  | .080 (2.0) | .220 (5.6) |
| 08         | 1.000 (25.4) | .080 (2.0) | .220 (5.6) |
| 09         | 1.125 (28.6) | .080 (2.0) | .220 (5.6) |
| 10         | 1.250 (31.8) | .080 (2.0) | .220 (5.6) |
| 11         | 1.375 (34.9) | .080 (2.0) | .250 (6.4) |
| 12         | 1.500 (38.1) | .080 (2.0) | .250 (6.4) |
| 13         | 1.625 (41.3) | .080 (2.0) | .250 (6.4) |
| 14         | 1.750 (44.5) | .080 (2.0) | .250 (6.4) |
| 15         | 1.875 (47.6) | .080 (2.0) | .250 (6.4) |
| 16         | 2.000 (50.8) | .080 (2.0) | .250 (6.4) |

Metric dimensions (mm) are indicated in parentheses.