

PLEASE CHECK WWW.MOLEX.COM FOR LATEST PART INFORMATION

Part Number: [0673298001](#)

Status: **Active**

Description: Universal Serial Bus (USB) Shielded I/O Receptacle, Type A Single Upright Right Angle, Solder Tail Length 2.00mm (.079"), Kinked Pins, PCB Thickness 1.20mm (.047") and 1.60mm (.063"), 0.76µm (30µ") Gold (Au) Plating, Lead Free

Documents:

[3D Model](#) [Product Specification PS-89485 \(PDF\)](#)
[Drawing \(PDF\)](#) [RoHS Certificate of Compliance \(PDF\)](#)

Agency Certification

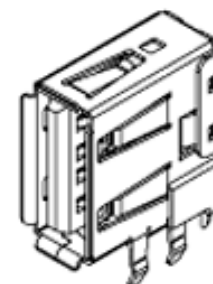
UL E29179

General

Product Family I/O Connectors
Series [67329](#)
Application Wire-to-Board
Comments Standard Mount Type
Component Type Receptacle
Product Name USB
Type A

Physical

Boot Color N/A
Circuits (Loaded) 4
Circuits (maximum) 4
Flammability 94V-0
Gender Receptacle
Lock to Mating Part Yes
Material - Plating Mating Gold
Material - Plating Termination Tin
Number of Rows 4
Orientation Upright
PC Tail Length (in) 0.079 In
PC Tail Length (mm) 2.00 mm
PCB Locator Yes
PCB Retention Yes
PCB Thickness Recommended (in) 0.063 In
PCB Thickness Recommended (mm) 1.60 mm
Packaging Type Tray
Panel Mount No
Pitch - Mating Interface (in) 0.000 In
Pitch - Mating Interface (mm) 0.00 mm
Pitch - Term. Interface (in) 0.055 In
Pitch - Term. Interface (mm) 1.40 mm
Plating min: Mating (µin) 30
Plating min: Mating (µm) 0.75
Plating min: Termination (µin) 100
Plating min: Termination (µm) 2.5
Polarized to Mating Part Yes
Polarized to PCB Yes
Ports 1
Surface Mount Compatible (SMC) Yes
Termination Interface: Style Through Hole
Waterproof / Dustproof No



Series

image - Reference only

EU RoHS

**ELV and RoHS
Compliant**
REACH SVHC
Not Reviewed
**Halogen-Free
Status**
Not Reviewed

China RoHS



**Need more information on product
environmental compliance?**

Email productcompliance@molex.com
For a multiple part number RoHS Certificate of
Compliance, [click here](#)

Please visit the [Contact Us](#) section for any
non-product compliance questions.

Search Parts in this Series
[67329Series](#)

Mates With
USB Type A Plug

Electrical

Current - Maximum per Contact

1A

Shield Type

Full Shield

Shielded

Yes

Material Info**Reference - Drawing Numbers**

Product Specification

PS-89485

Sales Drawing

SD-67329-801

This document was generated on 04/07/2010

PLEASE CHECK WWW.MOLEX.COM FOR LATEST PART INFORMATION

10 9 8 7 6 5 4 3 2 1

NOTES :

1. MATERIAL :

HOUSING : HIGH TEMPERTURE NYLON ,GLASS FIBER, UL94-V0 , COLOR: BLACK
 TERMINAL : PHOSPHOR BRONZE
 METAL SHELL : COPPER ALLOY

2. PLATING :

TERMINAL :
 CONTACT AREA : (a) GOLD FLASH.
 (b) GLOD (Au), THICKNESS = 30 MICROINCH/0.76 MICROMETER
 SOLDER TAIL : PURE TIN(Sn),
 THICKNESS= 75 MICROINCH /1.9 MICROMETER

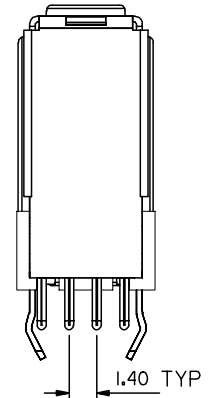
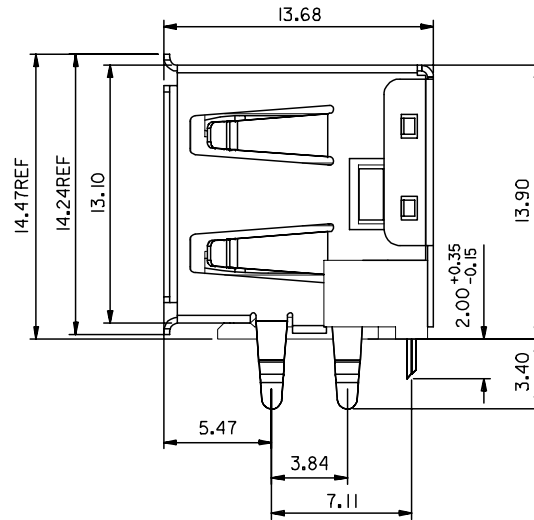
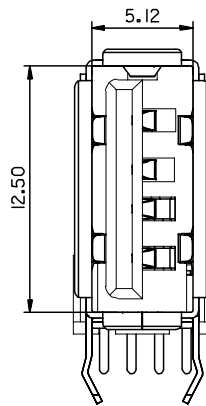
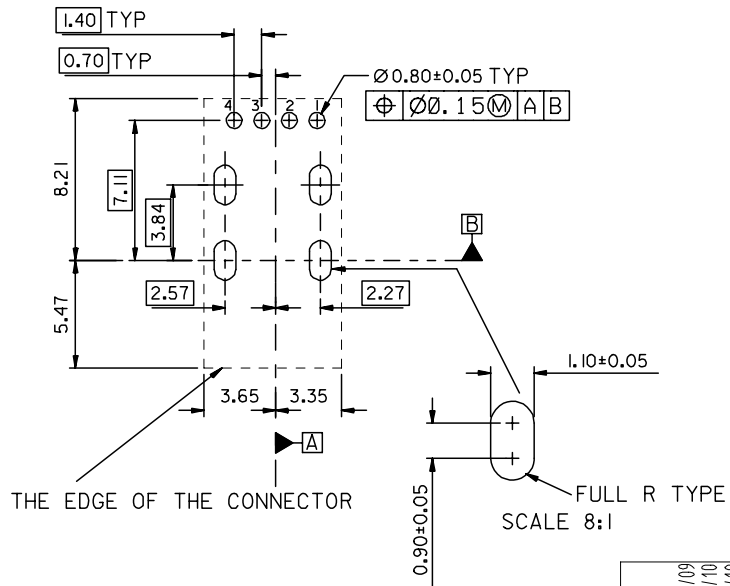
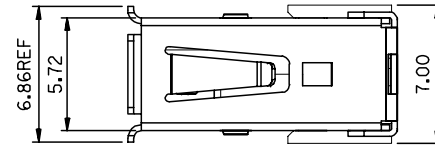
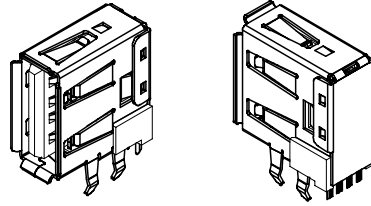
UNDER PLATE : NICKEL (Ni), THICKNESS= 50 MICROINCH/1.27 MICROMETER
 METAL SHELL :
 PURE TIN(Sn), THICKNESS=50-100MICROINCH/1.27-2.54MICROMETER.

UNDER PLATE : NICKEL (Ni), THICKNESS= 50 MICROINCH/1.27 MICROMETER

3 RECOMMENDED PCB THICKNESS : 1.20±0.05mm & 1.60±0.05 mm

4 PRODUCT SPECIFICATION : REFER TO PS-89485

5 PACKAGING SPECIFICATION : REFER TO PK-67329-001



PART NUMBER LEGEND:

| | |
|------------|-----------------------------------|
| P/N | CONTACT PLATING |
| 67329-8000 | GOLD FLASH |
| 67329-8001 | 0.76 MICROMETER/30 MICROINCH GOLD |

| | | |
|-------------|-------------|------------|
| NEW RELEASE | EC NO: | 2005/12/09 |
| | DRWN:HP/IAN | 2006/01/10 |
| | CHKD:HARVEY | 2006/01/10 |
| | APPR:HWANG | 2006/01/10 |
| REV | DESCRIPTION | |
| A | | |

| | |
|-----------------|-----|
| QUALITY SYMBOLS | ▽=0 |
| | ∇=0 |

| | | |
|---------------------------------------|-------------------------------|-------|
| GENERAL TOLERANCES (UNLESS SPECIFIED) | mm | INCH |
| | 4 PLACES ± --- | ± --- |
| | 3 PLACES ± --- | ± --- |
| | 2 PLACES ± 0.25 | ± --- |
| | 1 PLACE ± 0.25 | ± --- |
| | ANGULAR ± 3 ° | |
| DRAFT WHERE APPLICABLE | MUST REMAIN WITHIN DIMENSIONS | |

| | | | | |
|-----------------|---|---|--------------|------------------------|
| DIMENSION STYLE | | SCALE | DESIGN UNITS | THIRD ANGLE PROJECTION |
| MM ONLY | | 4:1 | METRIC | |
| DRAWN BY | DATE | TITLE | | |
| QIANHUIPING | 2005/12/09 | USB A UPRIGHT CONN. FLANGE OUT TYPE LEAD-FREE | | |
| CHECKED BY | DATE | MOLEX INCORPORATED | | |
| HARVEY | 2005/12/09 | | | |
| APPROVED BY | DATE | | | |
| GARY | 2005/12/09 | | | |
| MATERIAL NO. | DOCUMENT NO. | SHEET NO. | | |
| 67329-800* | SD-67329-801 | 1 OF 1 | | |
| SIZE | THIS DRAWING CONTAINS INFORMATION THAT IS PROPRIETARY TO MOLEX INCORPORATED AND SHOULD NOT BE USED WITHOUT WRITTEN PERMISSION | | | |
| A3 | | | | |

9 8 7 6 5 4 3 2 1