

PLEASE CHECK WWW.MOLEX.COM FOR LATEST PART INFORMATION

Part Number: [0387536704](#)
Status: **Active**
Description: Wrap-Around Cover Kit For 9.53mm (.375") Pitch Tri-Barrier Terminal Strips, 4 Circuits

Documents:

[Drawing \(PDF\)](#) [RoHS Certificate of Compliance \(PDF\)](#)

General

Product Family	Accessories
Series	38753
Component Type	Cover Kit
Product Name	N/A

Physical

Circuits (Loaded)	4
Color - Resin	Black
Lock to Mating Part	Yes
Material - Resin	Polyester Alloy
Packaging Type	Bag
Temperature Range - Operating	-40°C to +105°C

Solder Process Data

Lead-free Process Capability	Wave Capable (TH only)
------------------------------	------------------------

Material Info

Old Part Number	CW0504
-----------------	--------

Reference - Drawing Numbers

Sales Drawing	SD-38753-001
---------------	--------------

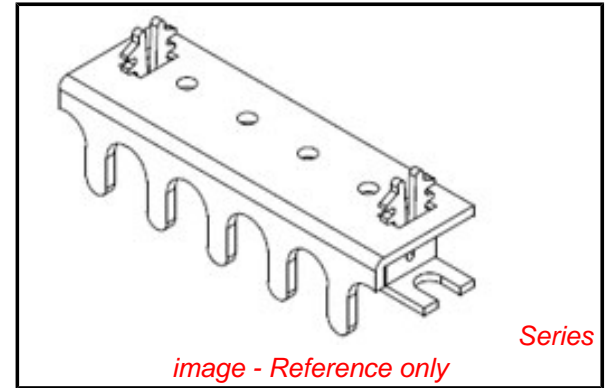


image - Reference only

EU RoHS

**ELV and RoHS
Compliant**
REACH SVHC
 Not Reviewed
**Halogen-Free
Status**
 Not Reviewed

China RoHS

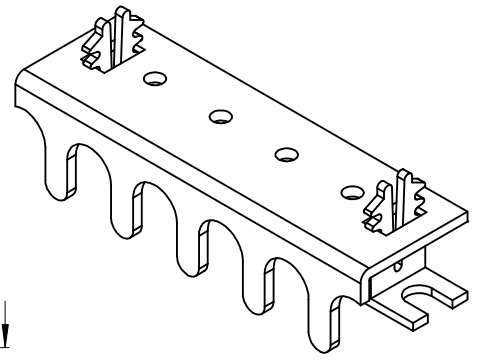
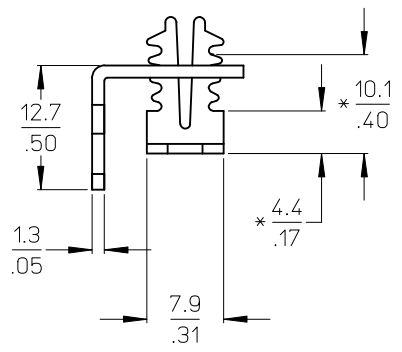
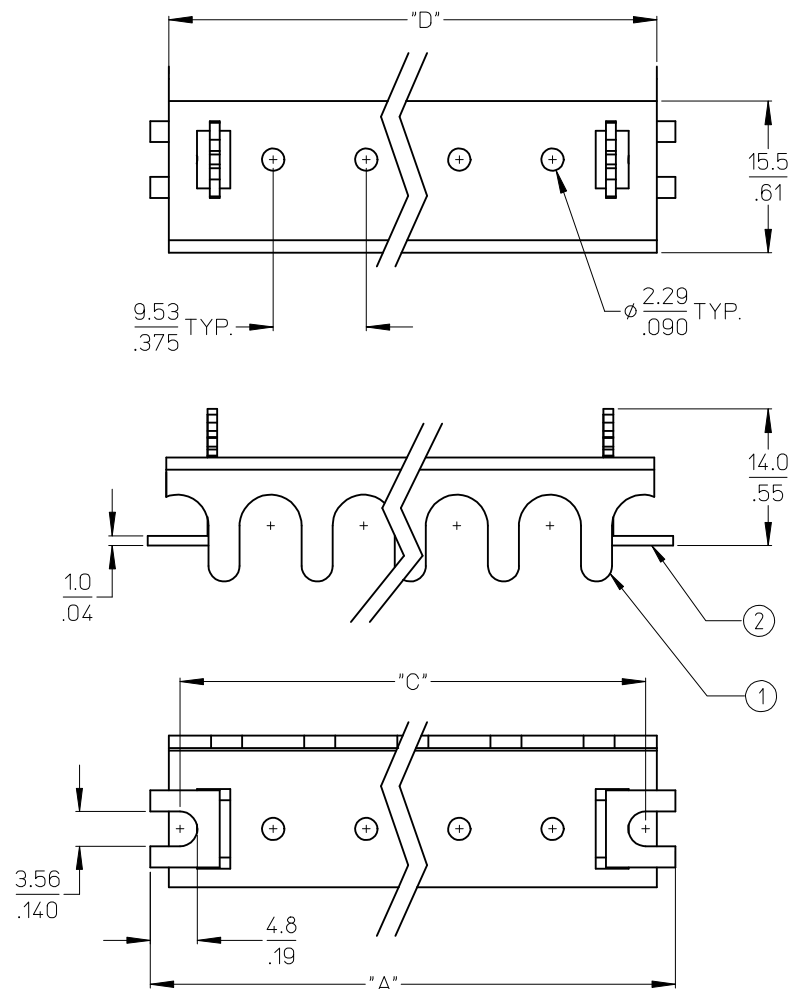


**Need more information on product
environmental compliance?**

Email productcompliance@molex.com
 For a multiple part number RoHS Certificate of
 Compliance, [click here](#)

Please visit the [Contact Us](#) section for any
 non-product compliance questions.

Search Parts in this Series
[38753Series](#)



NOTES:

1. MATERIAL: SEE TABLE.
2. FINISHES: SEE TABLE.
3. PRODUCT SPECIFICATION: AS REQUIRED.
4. MATES WITH: 75 SERIES BTS.
5. (*) DIMENSIONS INDICATE MAX, AND MIN, COVER HEIGHT.
6. ROHS COMPLIANT.

ITEM	QTY.	DESCRIPTION	MATERIAL	FINISH
2	2	COVER CLIPS AS MO	ACETAL	NATURAL
1	1	COVER W-A-R CUTTH	PBT POLYESTER	BLACK

UPDATE DIM. A & D
 EC NO: WNA2009-0356
 DRAWN: JENCINAS 2008/12/19
 CHYKD: CYORK 2009/01/15
 APPR: JMACNEIL 2009/01/15

QUALITY SYMBOLS
 ▼=0
 ▽=0

GENERAL TOLERANCES (UNLESS SPECIFIED)

	mm	INCH
4 PLACES	± ---	± ---
3 PLACES	± ---	± .005
2 PLACES	± 0.13	± .01
1 PLACE	± 0.3	± ---

ANGULAR ± 2 °

DRAFT WHERE APPLICABLE
 MUST REMAIN
 WITHIN DIMENSIONS

DIMENSION STYLE
MM/IN

DRAWN BY	DATE
JENCINAS	2008/05/13
CHECKED BY	DATE
CYORK	2008/05/14
APPROVED BY	DATE
JMACNEIL	2008/05/16

MATERIAL NO.

SCALE
2:1

DESIGN UNITS
INCH

THIRD ANGLE PROJECTION

TITLE
**COVER SR BTS KIT,
 W-A-R CUTTH**

MOLEX INCORPORATED

DOCUMENT NO.
SD-38753-001

SHEET NO.
1 OF 2

THIS DRAWING CONTAINS INFORMATION THAT IS PROPRIETARY TO MOLEX INCORPORATED AND SHOULD NOT BE USED WITHOUT WRITTEN PERMISSION

Ⓟ

Ⓟ

NO. OF CIRCUITS	DIM. "A"		DIM. "C"		DIM. "D"		KIT MATERIAL
	mm	in	mm	in	mm	in	
02	34.7	1.37	28.58	1.125	30.7	1.21	387536702
03	44.2	1.74	38.10	1.500	40.3	1.59	387536703
04	53.7	2.12	47.63	1.875	49.8	1.96	387536704
05	63.2	2.49	57.15	2.250	59.3	2.34	387536705
06	72.8	2.87	66.68	2.625	68.8	2.71	387536706
07	82.3	3.24	76.20	3.000	78.4	3.09	387536707
08	91.8	3.62	85.73	3.375	87.9	3.46	387536708
09	101.3	3.99	95.25	3.750	97.4	3.84	387536709
10	110.9	4.37	104.78	4.125	106.9	4.21	387536710
11	120.4	4.74	114.30	4.500	116.5	4.59	387536711
12	129.9	5.12	123.83	4.875	126.0	4.96	387536712
13	139.4	5.49	133.35	5.250	135.5	5.34	387536713
14	149.0	5.87	142.88	5.625	145.0	5.71	387536714
15	158.5	6.24	152.40	6.000	154.6	6.09	387536715
16	168.0	6.62	161.93	6.375	164.1	6.46	387536716
17	177.5	6.99	171.45	6.750	173.6	6.84	387536717
18	187.1	7.37	180.98	7.125	183.1	7.21	387536718
19	196.6	7.74	190.50	7.500	192.7	7.59	387536719
20	206.1	8.12	200.03	7.875	202.2	7.96	387536720
21	215.6	8.49	209.55	8.250	211.7	8.34	387536721
22	225.2	8.87	219.08	8.625	221.2	8.71	387536722
23	234.7	9.24	228.60	9.000	230.8	9.09	387536723
24	244.2	9.62	238.13	9.375	240.3	9.46	387536724
25	253.7	9.99	247.65	9.750	249.8	9.84	387536725
26	263.3	10.37	257.18	10.125	259.3	10.21	387536726

SEE SHEET ONE EC NO: WNA2009-0356 DRAWN: JENCINAS 2008/12/19 CHKD: CYORK 2009/01/15 APPR: JMACNEIL 2009/01/15	QUALITY SYMBOLS ▽=0 ▽=0	GENERAL TOLERANCES (UNLESS SPECIFIED)		DIMENSION STYLE	SCALE	DESIGN UNITS	THIRD ANGLE PROJECTION		
				MM/IN	2:1	INCH			
				mm	INCH	DRAWN BY	DATE	COVER SR BTS KIT, W-A-R CUTTH	
				4 PLACES ± --- ± ---	3 PLACES ± --- ± .005	JENCINAS	2008/05/13		
		2 PLACES ± 0.13 ± .01	1 PLACE ± 0.3 ± ---	CHECKED BY	DATE	MOLEX INCORPORATED SD-38753-001			
		ANGULAR ± 2 °		CYORK	2008/05/14				
		DRAFT WHERE APPLICABLE MUST REMAIN WITHIN DIMENSIONS		APPROVED BY	DATE	SHEET NO.			
				JMACNEIL	2008/05/16	2 OF 2			
				MATERIAL NO.	THIS DRAWING CONTAINS INFORMATION THAT IS PROPRIETARY TO MOLEX INCORPORATED AND SHOULD NOT BE USED WITHOUT WRITTEN PERMISSION				
				SEE CHART					