

PLEASE CHECK WWW.MOLEX.COM FOR LATEST PART INFORMATION

Part Number: [0351970401](#)
Status: **Active**
Description: 1.27mm (.050") Tab Multiple Wire-to-Board Female Housing, 2.50mm (.098") Pitch, 4 Circuits

Documents:

[Drawing \(PDF\)](#) [RoHS Certificate of Compliance \(PDF\)](#)
[Product Specification PS-35339-001 \(PDF\)](#)

General

Product Family	Crimp Housings
Series	35197
Product Name	N/A

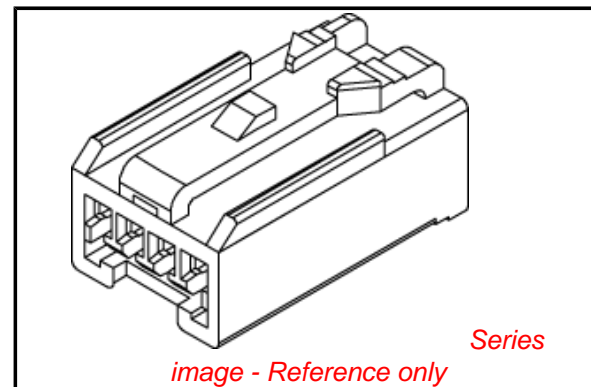
Physical

Circuits (maximum)	4
Color - Resin	Black
Gender	Female
Glow-Wire Compliant	No
Material - Resin	Polyester
Number of Rows	1
Packaging Type	Bag
Panel Mount	No
Pitch - Mating Interface (in)	0.098 In
Pitch - Mating Interface (mm)	2.50 mm
Temperature Range - Operating	-40°C to +120°C

Material Info

Reference - Drawing Numbers

Product Specification	PS-35339-001
Sales Drawing	SD-35197-001



EU RoHS

ELV and RoHS Compliant
REACH SVHC
 Not Reviewed
Halogen-Free Status

China RoHS



Need more information on product environmental compliance?

Email productcompliance@molex.com
 For a multiple part number RoHS Certificate of Compliance, [click here](#)

Please visit the [Contact Us](#) section for any non-product compliance questions.

Search Parts in this Series

[35197Series](#)

Mates With

[35339](#)

Use With

[50418](#)

8

7

6

5

4

3

2

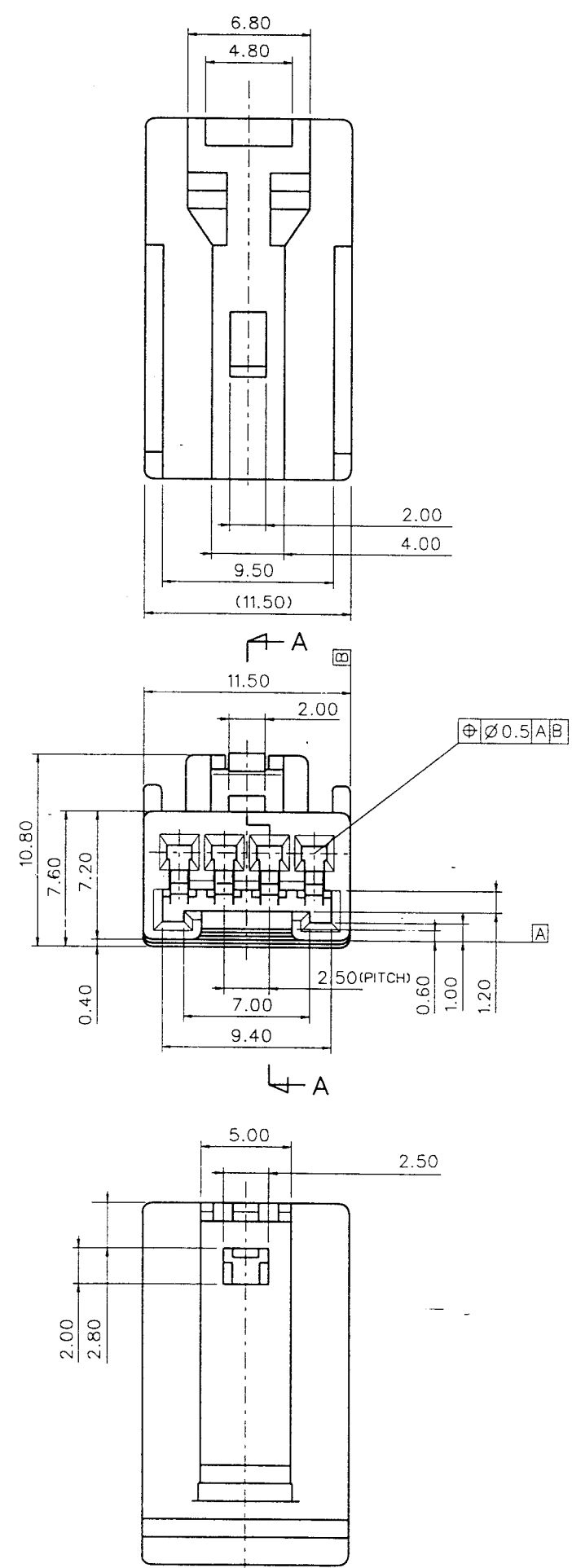
1

ENG. NO
SD35197-0401

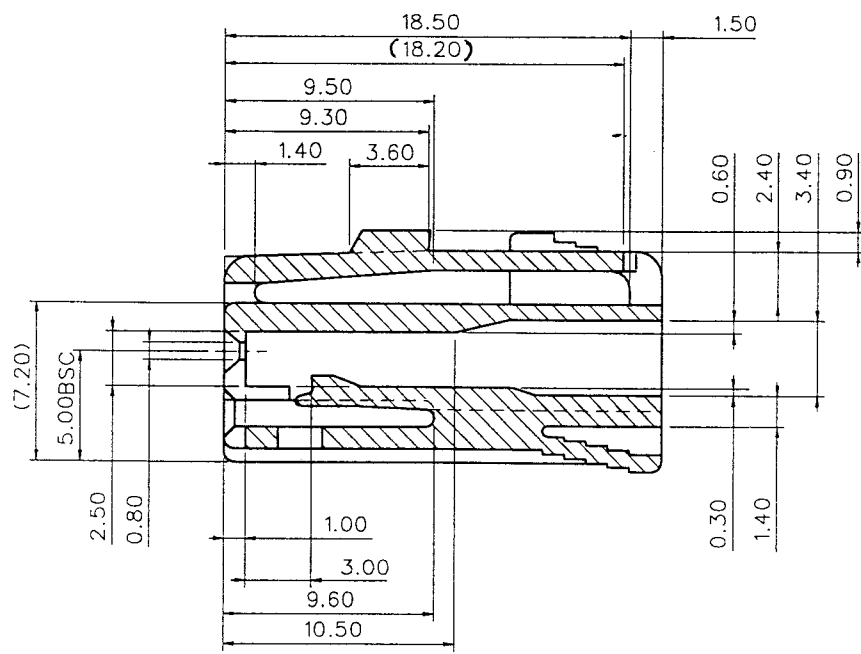
EDP NO.

SIMILAR ITEM

PROJECT NO.

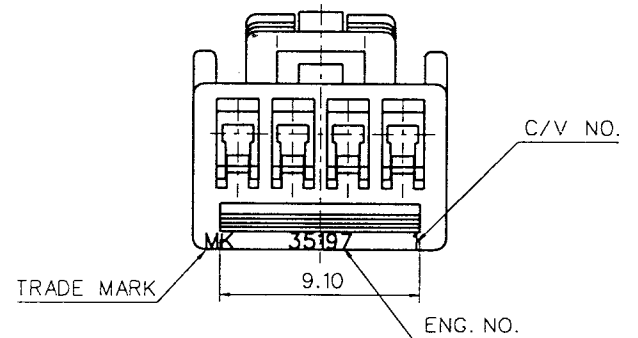
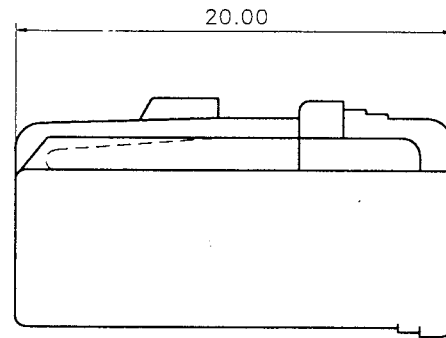


SECTION A-A



NOTE

- 1. MATERIAL: PBT
COLOR: BLACK
- 2. APPLICABLE TERMINAL: 50418-8*00



		MATERIAL		SEE NOTE		molex MOLEX-KOREA CO.,LTD.	
		GENERAL TOLERANCE		DIMENSION : ±0.30		DRAWN BY RHO.'95.10.31	
		ANGLE :		1°		CHK'D BY <i>b.k. Cho</i>	
		DIMENSION CLASSIFICATION		▽ : CRITICAL ▼ : MAJOR		APP'D BY <i>[Signature]</i> SCALE 3/1	
A		NEW RELEASE		96-119 96.10.25 () : REFERENCE		TITLE : 050 W/B FEMALE HS'G 4P	
LTR REVISION RECORD		ECN		DATE		ASS'Y PART DESCRIPTION ENG. NO.	
REVISE ONLY ON CAD SYSTEM						ENG. NO. SD35197-0401	
						SHEET 1 OF 1	
						REV A	