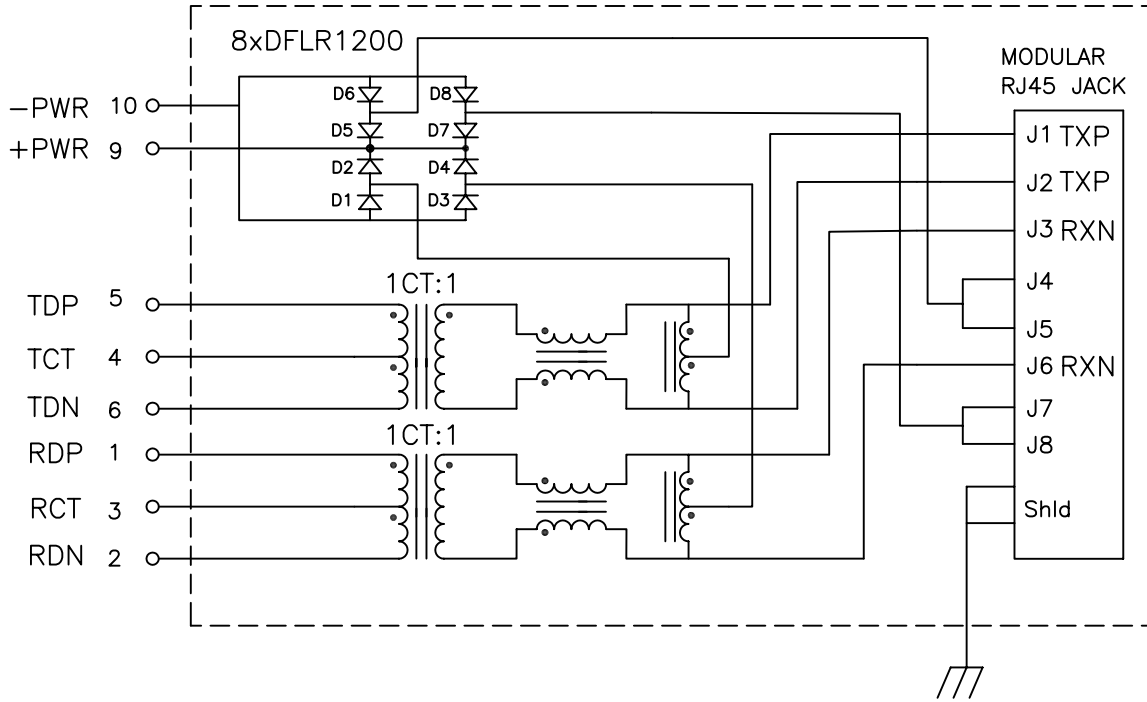


## Schematic:



## Electrical Specifications: @25°C

Isolation Voltage: 1500Vrms  
 OCL: 350uH Min @100KHz 100mV, 8mAdc  
 TX TURNS RATIO: (CHIP:CABLE)=1:1±3%  
 Q:18 Min 100Khz 0.1V  
 Insertion Loss : -1.0dB Typ. @1MHz-100MHz  
 Return Loss: -18dB Min, @1MHz-30MHz  
               -16dB Min. @30MHz-45MHz  
               -14dB Min. @45MHz-60MHz  
               -12dB Min. @60MHz-80MHz  
 Crosstalk Attenuation: -35dB Min, @1MHz-100MHz  
 Common Mode Rejection: -35dB Min, @1MHz-100MHz

### Notes:

1. Solderability: Leads shall meet MIL-STD-202G, Method 208H for solderability.
2. Flammability: UL94V-0
3. ASTM oxygen index: > 28%
4. Insulation System: Class F 155°C. UL file E151556
5. Operating Temperature Range: All listed parameters are to be within tolerance from -40°C to +85°C
6. Storage Temperature Range: -55°C to +125°C
7. Aqueous wash compatible
8. Electrical and mechanical specifications 100% tested
9. RoHS Compliant Component

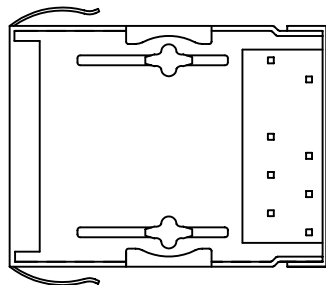
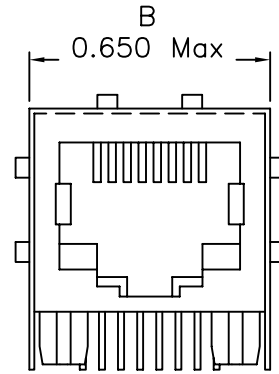
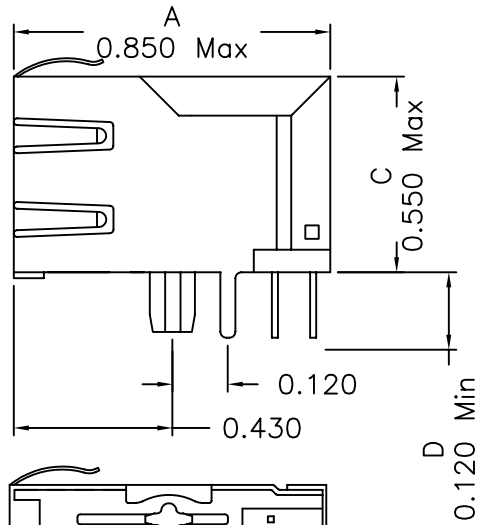
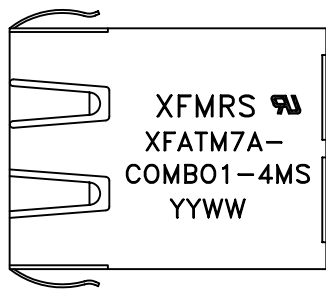
DOC REV.: A/4

<b>XFMRs Inc.</b> www.XFMRS.com	Title: SINGLE PORT COMBO		
	UNLESS OTHERWISE SPECIFIED	P/N: XFATM7A-COMBO1-4MS	REV. A
TOLERANCES: .xxx ±0.010	DWN.	Xianyi	Jan-07-09
Dimensions in Inch	CHK.	YK Liao	Jan-07-09
SHEET 1 OF 2	APP.	BW	Jan-07-09

**PROPRIETARY:**

Document is the property of XFMRs Group & is not allowed to be duplicated without authorization.

**Mechanical Dimensions:**

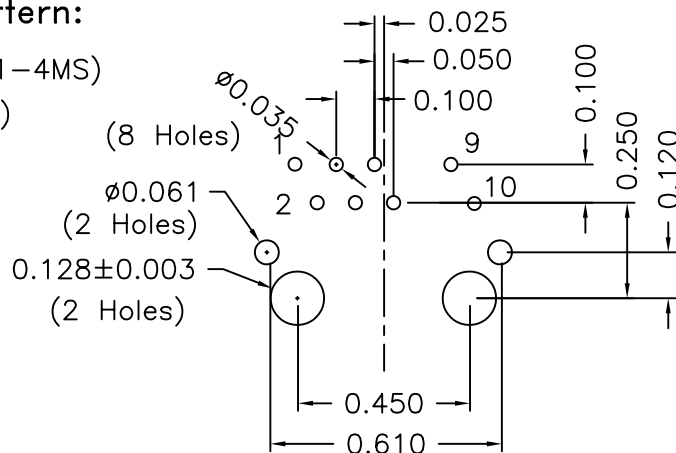


(BOTTOM VIEW)

\*Remove Pin 7&8

**Mounting Pattern:**

(FOR COMBO1-4MS)  
(COMP SIDE)



DOC. REV.: A/4

**XFMRs Inc.**  
www.XFMRS.com

Title: Mechanical Dimensions  
For COMBO1-4MS Series

UNLESS OTHERWISE SPECIFIED

P/N: XFATM7A-COMBO1-4MS

REV. A

TOLERANCES:

DWN.

Xianyi

Jan-07-09

.xxx ±0.010

CHK.

YK liao

Jan-07-09

Dimensions in Inch

APP.

BW

Jan-07-09

SHEET 2 OF 2

**PROPRIETARY:**

Document is the property of XFMRs Group & is not allowed to be duplicated without authorization.