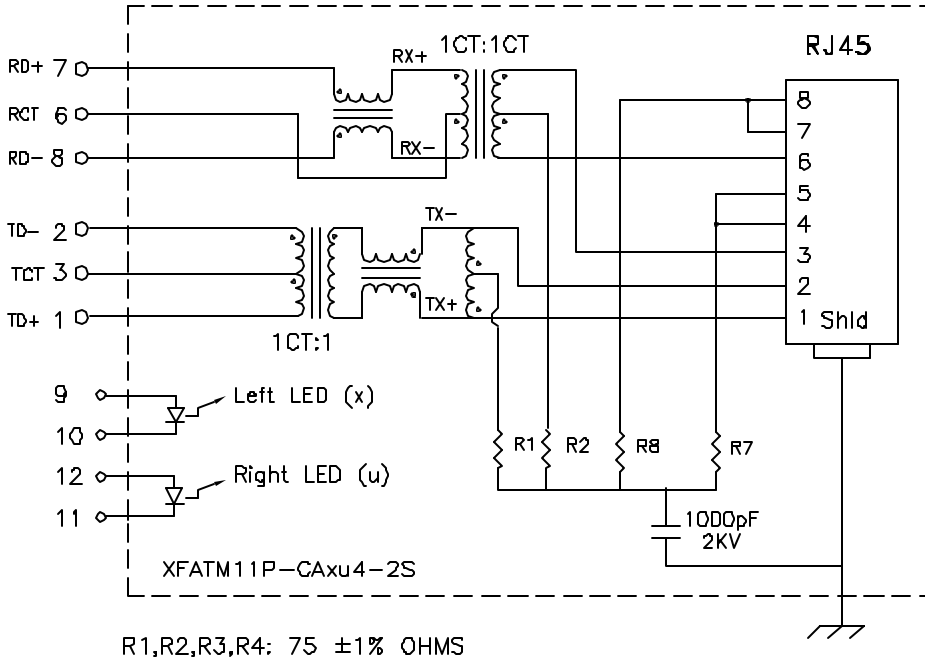


Schematic:

(One of Four)



R1,R2,R3,R4: 75 ±1% OHMS

Electrical Specifications: @25°C

UTP Impedance: 100 OHMS
 Turns Ratio: TX : 1CT:1 (±3%) RX : 1CT:1CT (±3%)
 Isolation Voltage: 1500 VAC (Input to Output)
 Rise Time (10-90%): 2.5nS Typ
 LL: 0.4uH Max
 CW/W: 28pF Max
 UTP Side OCL: 350uH Minimum @100KHz,100mV BmADC
 Insertion Loss (0.3MHz-100MHz): -1.0dB Maximum
 Return Loss: 1MHz-30MHz 40MHz 50MHz
 -18dB Typ -16dB Typ -14dB Typ 60MHz-80MHz
 CMRR: 30MHz 60MHz 100MHz -12dB Typ
 -35dB Min -30dB Min -25dB Min
 Crosstalk: 30MHz 60MHz 100MHz
 -50dB Min -40dB Min -35dB Min

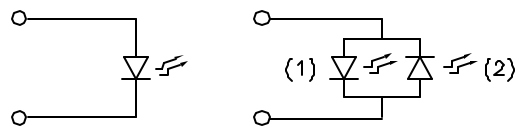
Complete the Combo P/N as follows:

Replace 'x' & 'u' in the part number with one of the LED color letters:

Y=Yellow
 G=Green
 A=Amber
 R=Red
 C=Green(1)/Amber(2) Bicolor
 D=Amber(1)/Green(2) Bicolor
 M=Green(1)/Yellow(2) Bicolor
 N=Yellow(1)/Green(2) Bicolor
 P=Red(1)/Green(2) Bicolor
 Q=Green(1)/Red(2) Bicolor

Single Color LED:

Bi-Color LED:



DOC. REV: A/1

Notes:

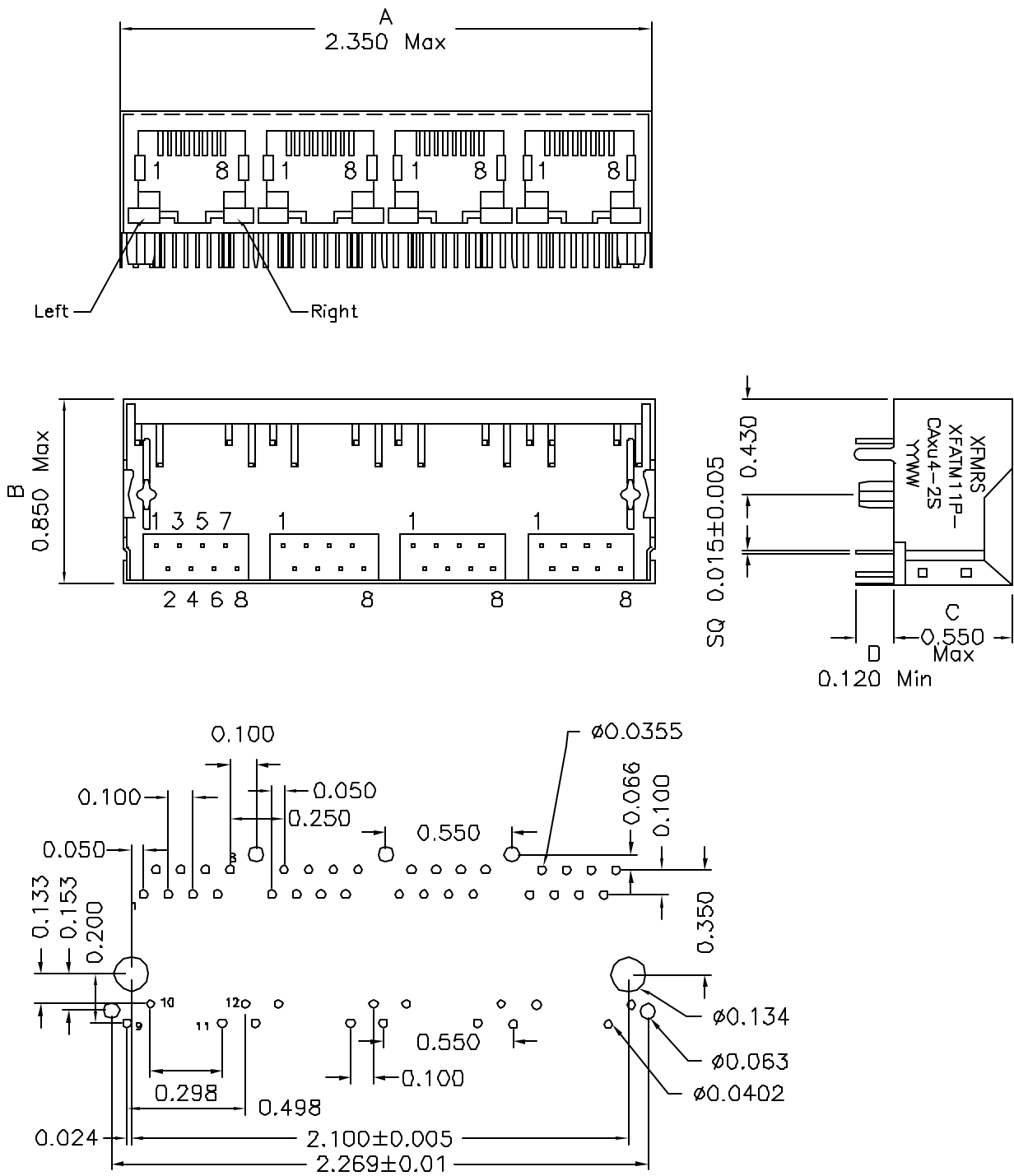
- Solderability: Leads shall meet MIL-STD-202, Method 208D for solderability.
- Flammability: UL94V-0
- ASTM oxygen index: > 28%
- Insulation System: Class F 155°C, UL file E151556
- Operating Temperature Range: All listed parameters are to be within tolerance from -40°C to +85°C
- Storage Temperature Range: -55°C to +125°C
- Aqueous wash compatible
- SMD Lead Coplanarity: ±0.004" (0.102mm)
- Moisture Sensitivity: Level 2

XFMR'S Inc.	Title: FOUR PORT COMBO w/ LED's		
	UNLESS OTHERWISE SPECIFIED TOLERANCES: .xxx ±0.010 Dimensions in Inch		P/N: XFATM11P-CAxu4-2S
			REV. A
	DWN.	Kang Chen	Jul-26-04
CHK.	YK Liao	Jul-26-04	
SHEET 1 OF 2	APP.	J Ng	Jul-26-04

PROPRIETARY:

Document is the property of XFMR'S Group & is not allowed to be duplicated without authorization.

Mechanical Dimensions: (FOR CAxu4-2MS)



SUGGESTED MOUNTING PATTERN

XFMRS Inc. UNLESS OTHERWISE SPECIFIED TOLERANCES: .xxx ±0.010 Dimensions in Inch	Title: FOUR PORT COMBO w/ LED's	
	P/N: XFATM11P-CAxu4-2S	REV. A
DOC REV: A/1 PROPRIETARY: Document is the property of XFMRS Group & is not allowed to be duplicated without authorization.	DWN.	Kang Chen
	CHK.	YK Liao
	APP.	J Ng
SHEET 2 OF 2		Jul-26-04