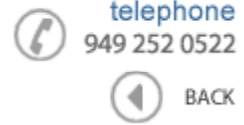




**Data Sheet**



Product Category: IF SAW Filter

Part Number	Package	Application	Last Modified
835-IF240.0M-C	35.0 x 12.8 Thru Hole	Base Station & Repeater	Jan. 01, 2007

TYPE :  
240.0 MHz Bandpass Filter

PART NUMBER :  
**835-IF240.0M-C**



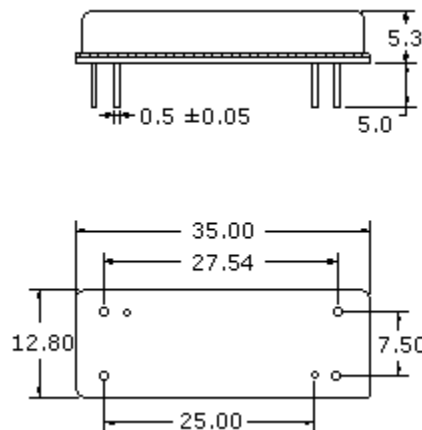
**OPERATING CONDITIONS / ELECTRICAL CHARACTERISTICS**

PARAMETERS	Minimum	Typical	Maximum	Units
Center Frequency	239.85	240.00	240.15	MHz
Insertion Loss	-	26.3	28.0	dB
Source Impedance (single ended)*	-	50	-	ohm
Load Impedance (single ended)*	-	50	-	ohm
1.0dB Bandwidth	4.0	4.21	-	MHz
3.0dB Bandwidth	4.2	4.42	-	MHz
40.0dB Bandwidth	-	5.25	5.4	MHz
Amplitude Ripple (Fo+/-1.875 MHz)	-	0.6	1.0	dBp-p
Group Delay Variation (Fo+/-1.875 MHz)	-	100	200	ns
Absolute Delay at Fo	-	3.08	-	µs
Ultimate Rejection	-	50	-	dB
Temperature Coefficient	-	-0.03	-	ppm/°C
Storage Temperature	-40	-	+85	°C
Operating Temperature	-30	-	+70	°C

\* with Matching Network (Ref. Testing Environment Circuit as shown below). Those impedances could be modified with different impedances values and/or structures, if necessary.

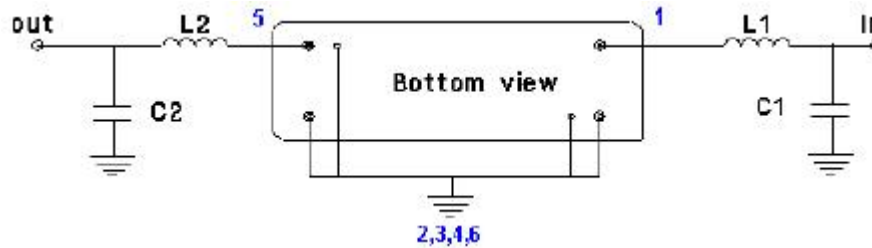
\*\* Custom SAW IF Filters available. Contact Oscilent for assistance.

**PACKAGE OUTLINE (mm)**



PIN Descriptions: IN-1, OUT 5, GROUND -2,3,4,6,Case

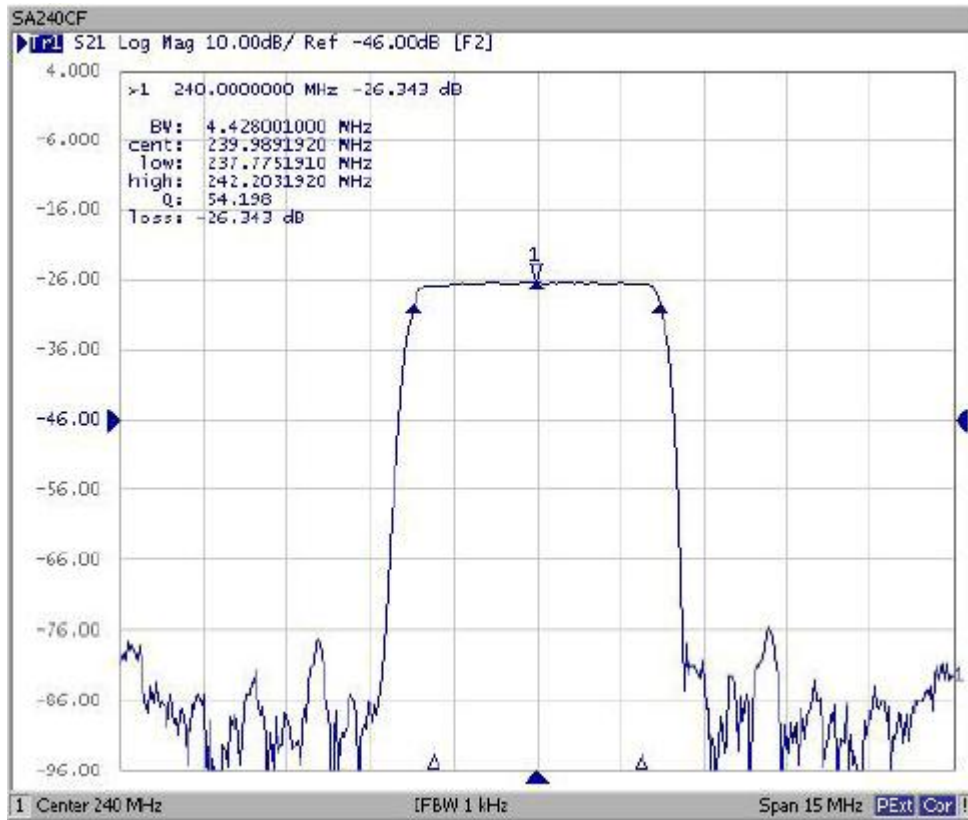
### TEST ENVIRONMENT



Test Fixture & Values	
Input	L1=18nH , C1=22pF
Output	L2=18nH , C2=22pF

Source & Load Impedance: 50 ohm

### FREQUENCY RESPONSE



**Oscilent Corporation** - CALL **949.252.0522**

**Part No.:** 835-IF240.0M-C

18195 East McDermott Street, Building D, Irvine, CA 92614, USA  
 Fax: 949.252.0599, E-Mail: Sales@Oscilent.com