

PLEASE CHECK WWW.MOLEX.COM FOR LATEST PART INFORMATION

Part Number: [0894000520](#)
Status: **Active**
Description: 2.00mm (.079") Pitch Wire-to-Board Header, Vertical, 5 Circuits, with Kinked PC Tail, Lead-free

Documents:

[3D Model](#) [Product Specification PS-87369-0002 \(PDF\)](#)
[Drawing \(PDF\)](#) [RoHS Certificate of Compliance \(PDF\)](#)

Agency Certification

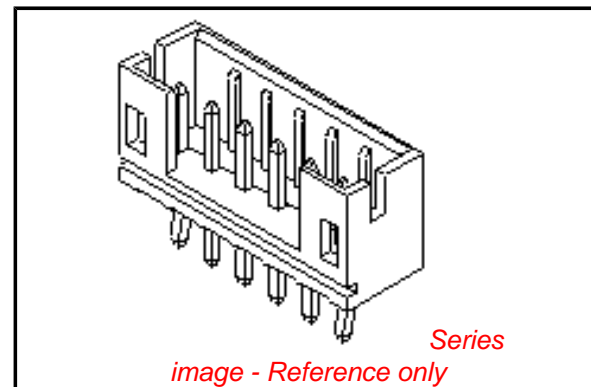
CSA LR19980
 UL E29179

General

Product Family PCB Headers
 Series [89400](#)
 Application Wire-to-Board
 Product Name N/A

Physical

Breakaway No
 Circuits (Loaded) 5
 Circuits (maximum) 5
 Color - Resin Natural
 Durability (mating cycles max) 30
 First Mate / Last Break No
 Flammability 94V-0
 Glow-Wire Compliant No
 Guide to Mating Part No
 Keying to Mating Part None
 Lock to Mating Part Yes
 Mated Height (in) 0.287 In
 Mated Height (mm) 7.30 mm
 Material - Plating Mating Tin
 Material - Plating Termination Tin
 Material - Resin Nylon
 Number of Rows 1
 Orientation Vertical
 PC Tail Length (in) 0.134 In
 PC Tail Length (mm) 3.40 mm
 PCB Locator No
 PCB Retention Yes
 PCB Thickness Recommended (in) 0.045 In
 PCB Thickness Recommended (mm) 1.20 mm
 Packaging Type Bag
 Pitch - Mating Interface (in) 0.079 In
 Pitch - Mating Interface (mm) 2.00 mm
 Plating min: Mating (µin) 50
 Plating min: Mating (µm) 1.27
 Plating min: Termination (µin) 50
 Plating min: Termination (µm) 1.27
 Polarized to PCB No
 Shrouded Partial
 Stackable No
 Temperature Range - Operating -25°C to +85°C
 Termination Interface: Style Through Hole



EU RoHS

ELV and RoHS Compliant
REACH SVHC
 Not Reviewed
Halogen-Free Status

China RoHS



Not Halogen-Free

Need more information on product environmental compliance?

Email productcompliance@molex.com
 For a multiple part number RoHS Certificate of Compliance, [click here](#)

Please visit the [Contact Us](#) section for any non-product compliance questions.

Search Parts in this Series

[89400Series](#)

Mates With

[87369 Crimp Housing](#)

Electrical

Current - Maximum per Contact

4A

Voltage - Maximum

250V

Material Info**Reference - Drawing Numbers**

Product Specification

PS-87369-0002, RPS-87369-001

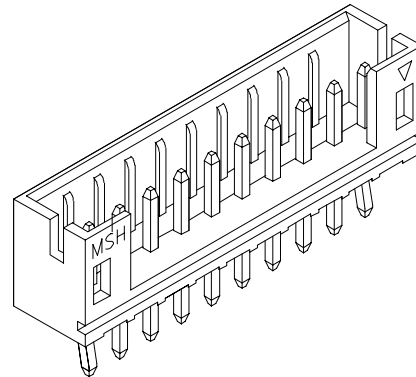
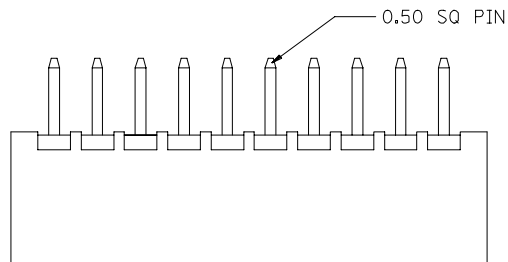
Sales Drawing

SD-89400-***2*

This document was generated on 06/08/2010

PLEASE CHECK WWW.MOLEX.COM FOR LATEST PART INFORMATION

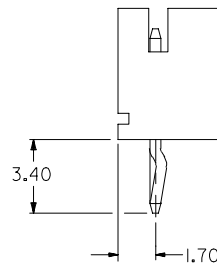
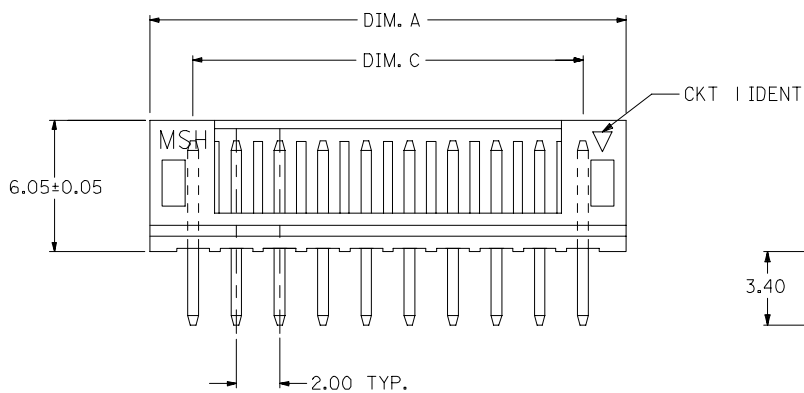
CIRCUITS	ORDER NO.	DIM. C	DIM. D	DIM. A
2	89400-021*	2.00	0.75	6.00
3	89400-031*	4.00	2.00	8.00
4	89400-041*	6.00	4.00	10.00
5	89400-051*	8.00	6.00	12.00
6	89400-061*	10.00	8.00	14.00
7	89400-071*	12.00	10.00	16.00
8	89400-081*	14.00	12.00	18.00
9	89400-091*	16.00	14.00	20.00
10	89400-101*	18.00	16.00	22.00
11	89400-111*	20.00	18.00	24.00
12	89400-121*	22.00	20.00	26.00
13	89400-131*	24.00	22.00	28.00
14	89400-141*	26.00	24.00	30.00
15	89400-151*	28.00	26.00	32.00
16	89400-161*	30.00	28.00	34.00



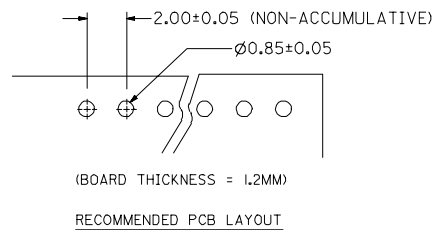
PART NO. LEGEND
89400 - ** I *

CKT SIZE

COLOR OPTION
0 - NATURAL (WHITE)
1 - BLACK
2 - RED
3 - YELLOW
4 - BLUE
6 - GREEN

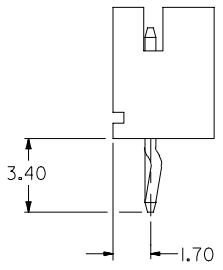
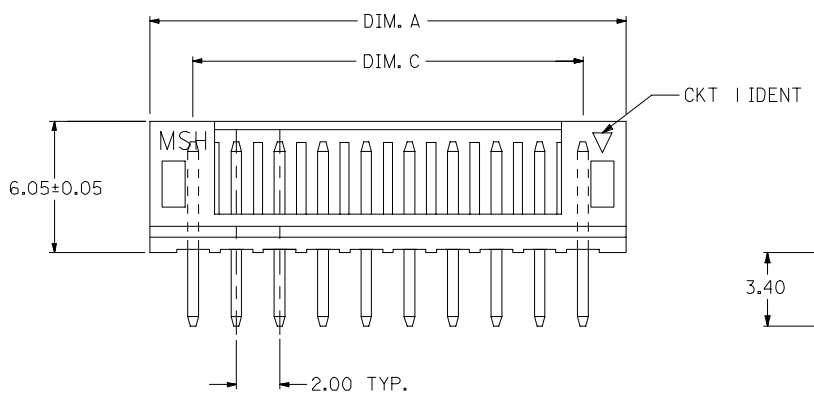
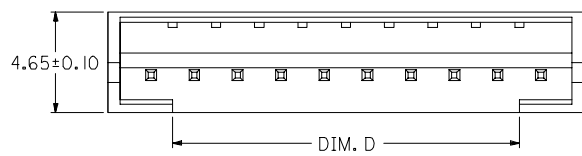
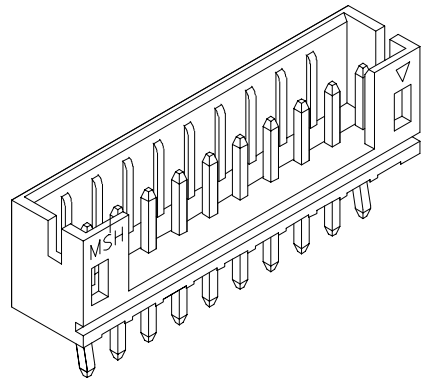
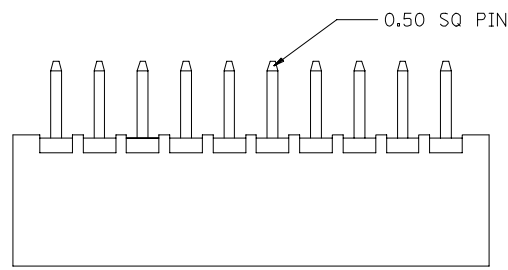


- NOTE:
- MATERIALS : HOUSING - NYLON (PA66), UL94 V-0
COLOR : SEE OPTION
TERMINAL - BRASS
 - FINISHES : TERMINAL - TIN THICKNESS 1.27-2.54 MICROMETER OVER
NICKEL THICKNESS 2.54 MICROMETER MIN OVERALL
COPPER THICKNESS 1.07 MICROMETER MIN OVERALL
 - PRODUCT SPECIFICATION : PS-87369-0001
 - BULK PACK IN PVC BAG WITH 1000 PCS PER BAG.



NEW RELEASE EC NO: SH2006-0288 DRWN:DHU 2005/12/07 CHKD:HARVEY 2005/12/08 APPR:GCHEN 2005/12/09	QUALITY SYMBOLS ▽=0 ▽C=0	GENERAL TOLERANCES (UNLESS SPECIFIED)		DIMENSION STYLE MM ONLY		SCALE	DESIGN UNITS METRIC	THIRD ANGLE PROJECTION		
				mm	INCH					
		4 PLACES	±---	±---	DRAWN BY GOH		DATE 1995/02/04	TITLE 2.00MM WIRE-BOARD STRAIGHT HEADER		
		3 PLACES	±---	±---	CHECKED BY		DATE	MOLEX INCORPORATED		
2 PLACES	±0.2	±---	APPROVED BY		DATE	MATERIAL NO.		DOCUMENT NO.	SHEET NO.	
1 PLACE	±---	±---	ANGULAR		±---°	SEE TABLE		SD-89400-**1*	1 OF 1	
DRAFT WHERE APPLICABLE MUST REMAIN WITHIN DIMENSIONS		SIZE A3		THIS DRAWING CONTAINS INFORMATION THAT IS PROPRIETARY TO MOLEX INCORPORATED AND SHOULD NOT BE USED WITHOUT WRITTEN PERMISSION						

CIRCUITS	ORDER NO.	DIM. C	DIM. D	DIM. A
2	89400-021*	2.00	0.75	6.00
3	89400-031*	4.00	2.00	8.00
4	89400-041*	6.00	4.00	10.00
5	89400-051*	8.00	6.00	12.00
6	89400-061*	10.00	8.00	14.00
7	89400-071*	12.00	10.00	16.00
8	89400-081*	14.00	12.00	18.00
9	89400-091*	16.00	14.00	20.00
10	89400-101*	18.00	16.00	22.00
11	89400-111*	20.00	18.00	24.00
12	89400-121*	22.00	20.00	26.00
13	89400-131*	24.00	22.00	28.00
14	89400-141*	26.00	24.00	30.00
15	89400-151*	28.00	26.00	32.00
16	89400-161*	30.00	28.00	34.00

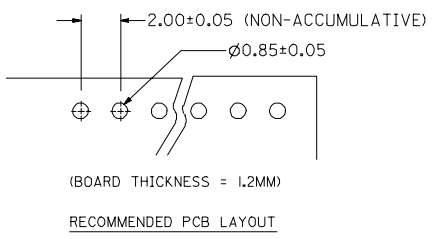


PART NO. LEGEND
89400 - **1*

CKT SIZE

COLOR OPTION
0 - NATURAL (WHITE)
1 - BLACK
2 - RED
3 - YELLOW
4 - BLUE
6 - GREEN

- NOTE:
- MATERIALS : HOUSING - NYLON (PA66), UL94 V-0
COLOR : SEE OPTION
TERMINAL - BRASS
 - FINISHES : TERMINAL - TIN THICKNESS 1.27-2.54 MICROMETER OVER
NICKEL THICKNESS 2.54 MICROMETER MIN OVERALL
COPPER THICKNESS 1.07 MICROMETER MIN OVERALL
 - PRODUCT SPECIFICATION : PS-87369-0001
 - BULK PACK IN PVC BAG WITH 1000 PCS PER BAG.



NEW RELEASE EC NO: SH2006-0288 DRWN:DHU 2005/12/07 CHKD:HARVEY 2005/12/08 APPR:GCHEN 2005/12/09	QUALITY SYMBOLS ▽=0 ▽C=0	GENERAL TOLERANCES (UNLESS SPECIFIED)		DIMENSION STYLE MM ONLY		SCALE	DESIGN UNITS METRIC	THIRD ANGLE PROJECTION		
				mm	INCH	DRAWN BY GOH	DATE 1995/02/04	TITLE 2.00MM WIRE-BOARD STRAIGHT HEADER		
		4 PLACES ±---		±---	±---	CHECKED BY	DATE	APPROVED BY		
		3 PLACES ±---		±---	±---	APPROVED BY		DATE	MOLEX INCORPORATED	
2 PLACES ±0.2		±---	±---	MATERIAL NO.		DOCUMENT NO.	SHEET NO.			
1 PLACE ±---		±---	±---	DRAFT WHERE APPLICABLE MUST REMAIN WITHIN DIMENSIONS		SEE TABLE	SD-89400-**1*		1 OF 1	
ANGULAR ±---°				THIS DRAWING CONTAINS INFORMATION THAT IS PROPRIETARY TO MOLEX INCORPORATED AND SHOULD NOT BE USED WITHOUT WRITTEN PERMISSION						