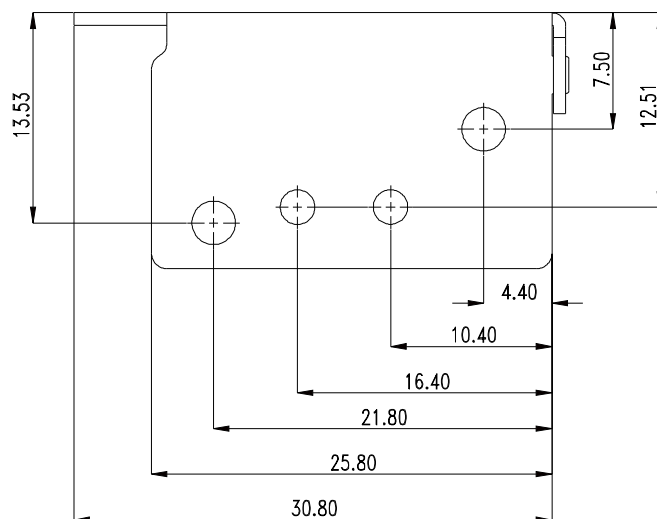
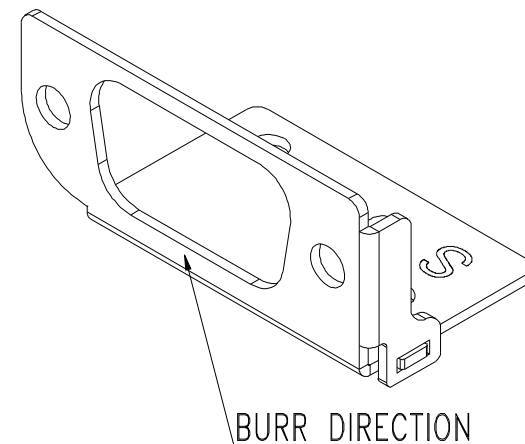
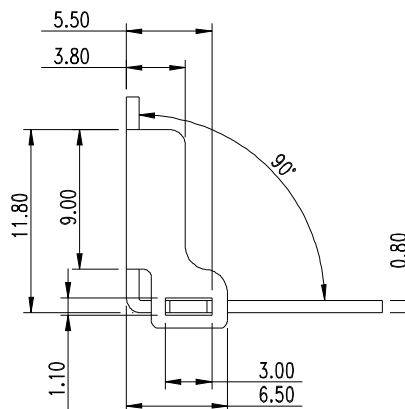
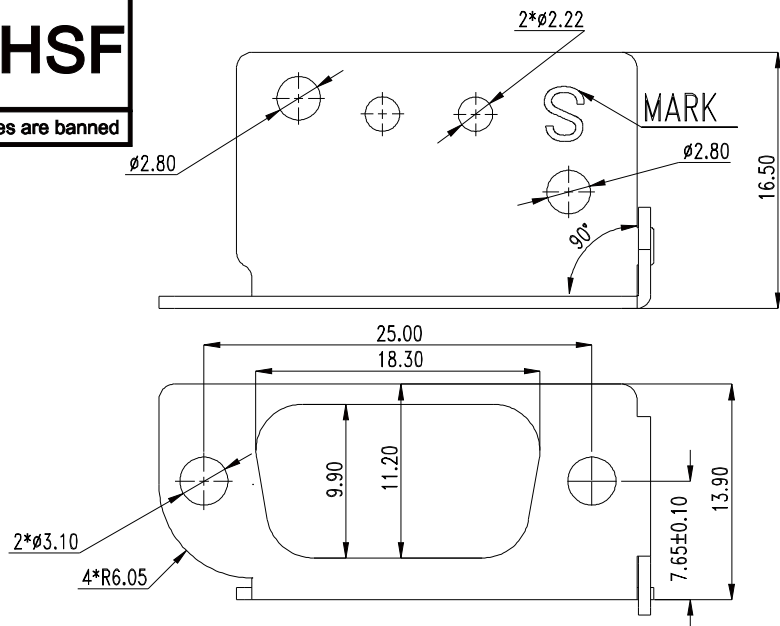




RoHS Compliant
2002/95/EC

Level-1 Controlled Substances are banned



3				
2				
1	SHELL	METAL		NICKEL PLATED
NO.	DESCRIPTION	MATERIAL	COLOR	REMARK

SUYIN
CONNECTOR

CUSTOMER COPY	TITLE: D-SUB L型鐵片			
PART NO.		070030FD001N103VO		
PRODUCT SPEC.				
FILE NAME.	D	070030FD001N103VO-C		
SCALE	2:1	UNIT:mm	A4	SHEET: 1 of 2

					Angle	$\pm 2^\circ$	DRAW	邱清蘭	08'/01/16
					30 ~	± 0.50	DESIGN	邱清蘭	08'/01/16
	0		NEW RELEASE	邱清蘭	10 ~ 30	± 0.30	CHECK	葉贛州	08'/01/16
	PO	07'/10/31	NEW	黃義安	~ 10	± 0.15	APPRO.	江文業	08'/01/16
ECN(DCN) NO.	REV	DATE	DESCRIPTION	CHANGE	APPRO.	GENERAL TOLERANCE UNLESS OTHERWISE NOTED	APPRO.	江文業	08'/01/16

Original: Draw: 黃義安 Design: 黃義安 Check: 葉贛州 Appr: 江文業 發行日期: 07'/10/31

071031-BD130