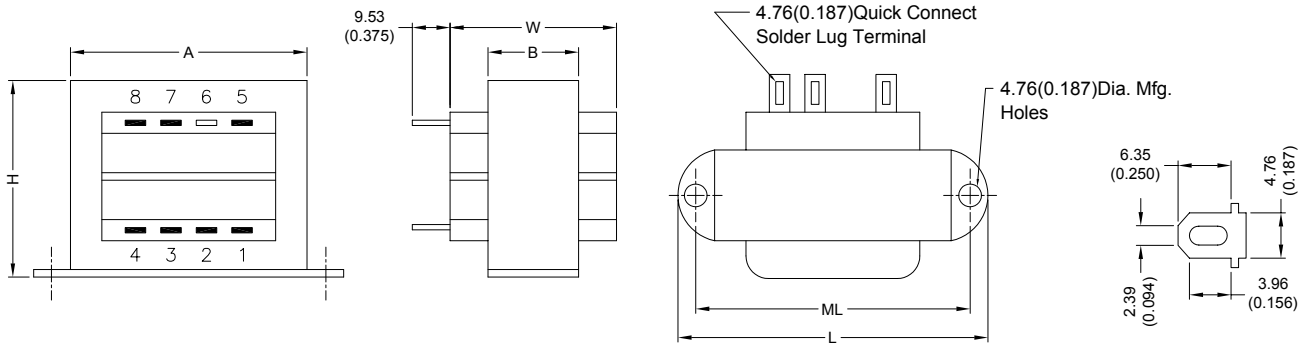


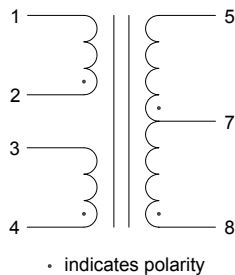
1. CONFIGURATION & DIMENSIONS :



UNIT : mm (inch)

| SIZE | VA | L | W | H | A | B | ML | gram |
|------|----|------------------|------------------|------------------|------------------|------------------|------------------|--------|
| 4 | 6 | 60.33 (2.375) | 31.75 (1.250) | 34.93 (1.375) | 42.88 (1.688) | 17.48 (0.688) | 50.80 (2.000) | 199.58 |

2. SCHEMATIC :



3. ELECTRICAL CHARACTERISTICS (@ 25°C) :

- | | |
|--------------------------------------|------------------------------|
| a. Primary Voltage | AC 115/230 V 50/60 Hz . |
| b. No Load Primary Current | Less Than 20mA / 25mA . |
| c. Secondary Voltage (±5%) | |
| Pin 5-8 C.T. Pin 7 | AC 146.0 V / 145.0 V . |
| d. Secondary Load Current | 0.05A . |
| e. Full Load Primary Current | Less Than 80mA / 45mA . |
| f. Full Load Secondary Voltage (±5%) | 120V / 120V . |
| Pin 5-8 C.T. Pin 7 | |
| g. DC Resistance | |
| Pin 1-2 | Primary-1 = 257 Ohm . |
| Pin 3-4 | Primary-2 = 317 Ohm . |
| Pin 5-7 | Secondary-1 = 108 Ohm . |
| Pin 7-8 | Secondary-2 = 108 Ohm . |
| h. Insulation Resistance | DC 500V 100Meg Ohm Of More . |
| i. Withstand Voltage (Hi-Pot) | AC 2500V 60Hz 1 Minutes . |
| j. Temperature Rise | Less Than 60 Deg C . |
| k. Core Size | EI-41 x 17.00 m/m . |

l. Turns & Wire Gauge

| | | | | |
|-----------|-----------|----------|----------------|---------|
| Primary-1 | Pin 1-2 | 1600 | Turns Diameter | 0.10 mm |
| Primary-2 | Pin 3-4 | 1800 | Turns Diameter | 0.10 mm |
| Secondary | Pin 5-7-8 | 1025 x 2 | Turns Diameter | 0.13 mm |



RoHS Compliant

NOTE : Specifications subject to change without notice. Please check our website for latest information.

25.02.2008



SUPERWORLD ELECTRONICS (S) PTE LTD