

FEATURES

- Low height 2.0mm max.
- Plastic mold package incorporated tubular type quartz crystal.
- Suitable for automatic and high density surface mounting.
- Excellent shock and heat resistance.

APPLICATIONS

- Radio Communication Equipment, Pagers, Cellular Phones, Portable Applications, Clock Source for Micro-Computers

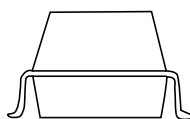
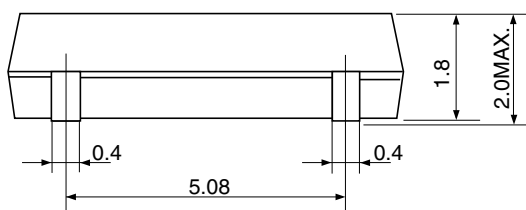
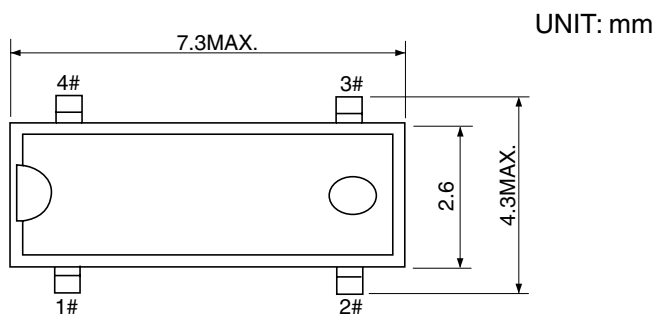
STANDARD SPECIFICATIONS

Conditions without notice (Temperature: +25°C±2°C)

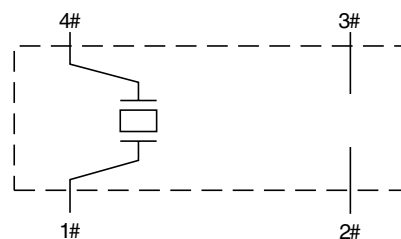
Item	Symbol	Specifications	Conditions / Notes
Nominal Frequency	f ₀	32.768kHz	
Frequency Tolerance	Δf/f ₀	±20ppm, ±30ppm, ±50ppm, ±100ppm	Can be used in high accurate products
Turnover Temperature	T _p	+25°C±5°C	
Temperature Coefficient	K	(-3.5±1.0) x 10 ⁻⁸ /°C ²	
Load Capacitance	C _L	6.0 to 12.5pF	
Equivalent Series Resistance	R ₁	55kΩ max.	
Maximum Drive Level	DL _{max}	1μW	
Recommended Drive Level	DL	0.1μW	
Shunt Capacitance	C ₀	0.9pF typ.	
Aging	Δf/f ₀	±3ppm max.	+25°C±3°C, First Year
Operating Temperature Range	T _{ope}	-40°C to +85°C	
Storage Temperature Range	T _{sto}	-55°C to +125°C	
Reflow Profile	T _{sol}	230°C max., 20sec. max. x 2 times	IR Reflow

DIMENSIONS

(For details, please refer to individual specification)



INTERNAL LEAD CONNECTION



RECOMMENDED SOLDERING PATTERN

