



Model No.	OSMW05C12GP-XXXXZ2C1D-X
REV.	C0

PRODUCT SPECIFICATION FOR **LED Light Module**

Descriptions:

- Low power consumption, high intensity
- Long life, easy installation
- Voltages available 12VDC/AC
- LED model number: OSXXXXZ2C1D

Features:

- Available in red, orange, yellow, green, blue, white, etc
- Directly use on DC/AC
- Low power consumption, high intensity, long life
- Excellent beam control, energy saving

Application:

- Channel letter signs
- Indirect accent décor light
- Large area back lighting
- Under counter light
- Decorate building's contour
- Substitute neon light

Product Picture:





Model No.	OSMW05C12GP-XXXXZ2C1D-X
REV.	C0

Device Selection Guide

Module No.	Color	Dom. Wavelength (Typ.)	Luminous Flux (Typ.)
OSR5MAZ2C1D-X	Red	624±5nm	24lm
OSY5MAZ2C1D-X	Yellow	590±5nm	17.9lm
OSG5DAZ2C1D-X	Green	525±5nm	28lm
OSB5SAZ2C1D-X	Blue	470±5nm	13.3lm
OSO5MAZ2C1D-X	Orange	605±5nm	18.8lm
OSM5DLZ2C1D-X	Warm White	X=0.45 ; Y=0.41	32.7lm
OSW5DLZ2C1D-X	White	X=0.27 ; Y=0.28	48.5lm

Absolute Maximum Ratings(Ta=25)

Items	Symbol	Values	Units
Operating Supply Range(DC/AC)	V _{dc}	14	V
Input Current (DC/AC)	I _i	180	MA
Power Dissipation	P _a	2.52	W
LED Light Source Temperature	T _{led}	105	DegC
Operating Temperature	T _{ope}	-10 ~ +40	DegC
Storage Temperature	T _{sto}	-20 ~ +80	DegC

Typical Performance (Ta=25)

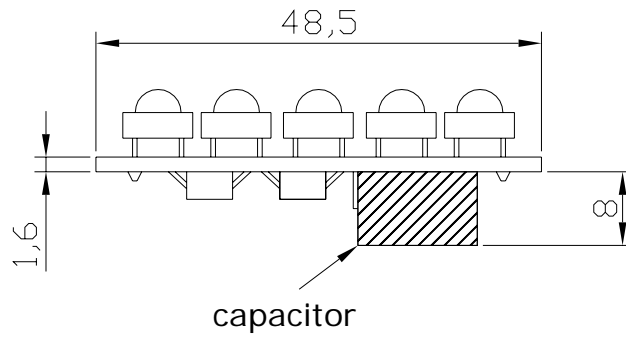
Items	Symbol	Min.	Typ.	Max.	Units
LED Module Power	P _m	---	1.44	2.52	W
Input Voltage(DC/AC)	V _i		12	14	V
Product Input Current	I _f		120	180	mA
Beam Pattern	BP	---	120	---	Deg
Total Diameter of PCB	D _{PCB}	---	48.5	---	mm
Net Weight	Wei.	---	12	---	g

LED & Application Technologies

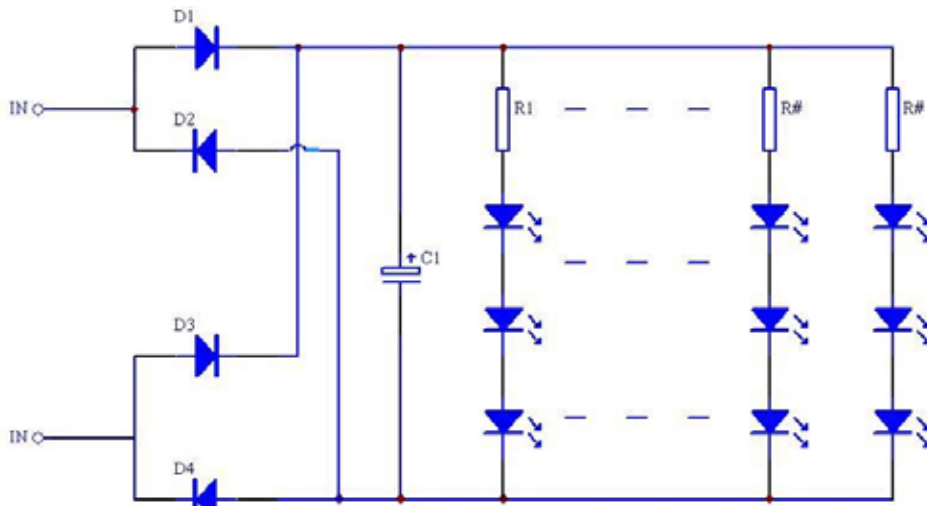
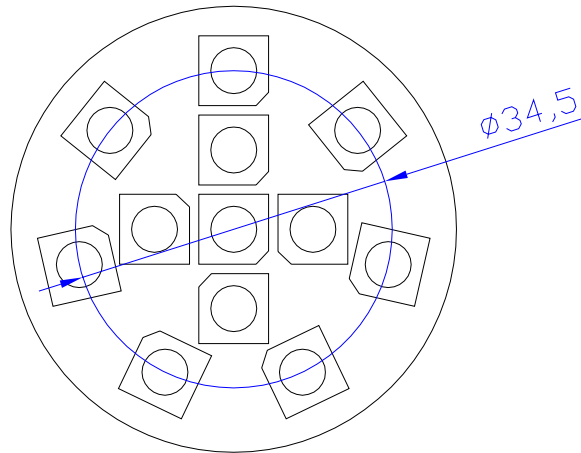


Model No.	OSMW05C12GP-XXXXZ2C1D-X
REV.	C0

Product Dimensions:



UNIT:MM



LED & Application Technologies

