

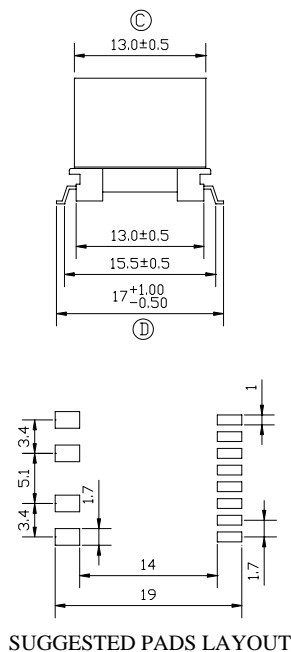
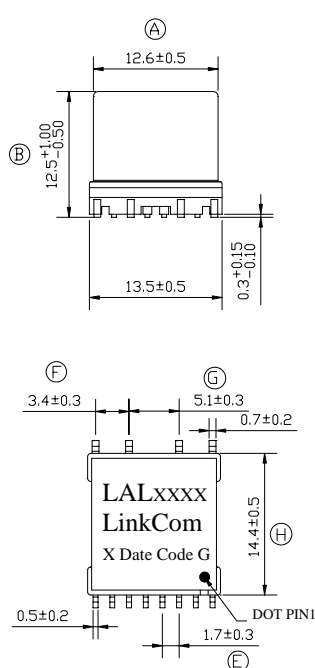
Broadband Access Transformer

- Designed to meet UL 60950 and EN 60950 requirements for supplementary insulation
- RoHS Compliant
- Operating Temperature -40°C to 85°C

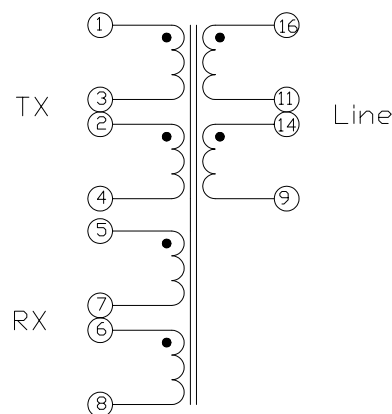
Electrical Specifications @25

OCL:	PIN 16-9= 100uH \pm 5% @ 10KHz/0.1V/Ser. (PIN 11-14 Short)
Leakage Inductance:	PIN 16-9= 3.5uH Max. @ 100KHz/0.1V (PIN 1-2-3-4-5-6-7-8,11-14 Short)
Interwinding Capacitance	PIN 1-16= 50 pF Max. @ 100KHz/0.1V (PIN 1-2-3-4-5-6-7-8,PIN 11-14 Short)
T.H.D	PIN 1-4 to PIN 16-9= -85dB Max. @ 100KHz/4V (PIN 2-3,PIN 11-14 Short)
	PIN 5-8 to PIN 16-9= -85dB Max. @ 100KHz/4V (PIN 6-7,PIN 11-14 Short)
D.C.R	PIN 1-4 = 0.840 ohm Max. (PIN 2-3 Short)
	PIN 5-8 = 0.250 ohm Max. (PIN 6-7 Short)
	PIN 16 -9 = 0.420 ohm Max. (PIN 11-14 Short)
Hi-POT :	PRI. – SEC. =1875VAC/60Hz/2Seconds/1mA
Turn Ratio:	PIN16-9 : PIN 1-4 = 1 \pm 2% :1 (PIN 11-14,PIN 2-3 Short)
	PIN16-9 : PIN 5-8 = 4.25 \pm 2% :1 (PIN 11-14,PIN 6-7 Short)

Dimensions (Units: mm)



Schematic



Mark

- 1.LAL ****----LAL2021
2. X----PRODUCT LINE
3. DATE CODE----YYWW
4. G----RoHS