



## Electronic Speed Switch Model ESS MkII

### Application

The Bramco Electronic Speed Switch, ESS MkII, has been designed to detect slip on a conveyor drive head without the use of override timers.

### The Bramco ESS MkII Offers

- Single or twin pulse head operation
- Brake and high speed
- Up to speed relay output
- Remote indication facilities (plug in)
- Plug in module
- Unit test facilities for single head mode
- Digital electronics to provide an accurate, reliable relay
- Simple to set up and maintain
- Faulty pulse head indication for each generator
- Facility to check/set up each pulse generator circuit output
- Continuous display of slip readings for both over and under speed operation
- Remote indication panel available in PVC enclosure (optional)
- Run enable input closes CR relay if no latch fault
- Brake relay switching function
- Low speed relay and high speed relay for various functions including sequencing
- Latching relay provides electrical local or remote reset
- Remote resetting is easily provided for

### Specifications

#### Supply

- 110v 50/60Hz (standard)
- 110/240vAC

#### Material/Housing

- Powder coated steel

#### Voltage tolerance

- -30% to +20%

#### Output contacts

- 5A @ 240vAC lowspeed, highspeed, CR

### Ordering Information

A00596	ESS MkII Module and Base
A00206	ESS MkII Remote Screen
A00237	ESH Electronic Sensing Head
E70174	I.S Dual Channel Barrier

### Approvals/Conformance's

N.S.W Mines MDA Exib 11299

### Bramco Contacts

#### Head Office

Bramco Electronics Pty Ltd  
ABN 49 327 604 798

45-47 Orlando Road  
PO Box 15  
LAMBTON NSW 2299  
AUSTRALIA

Telephone 61 2 4952 5366  
Facsimile 61 2 4952 4600  
Email sales@bramco.com.au  
www.bramco.com.au

#### Distributor Locations Australia:

- Newcastle NSW
- Wollongong NSW
- Cairns QLD
- Brisbane QLD
- Perth WA
- Emerald QLD

#### South Africa:

- Heidelberg - Emis Sales
- Delmas - Bramco South Africa

#### USA:

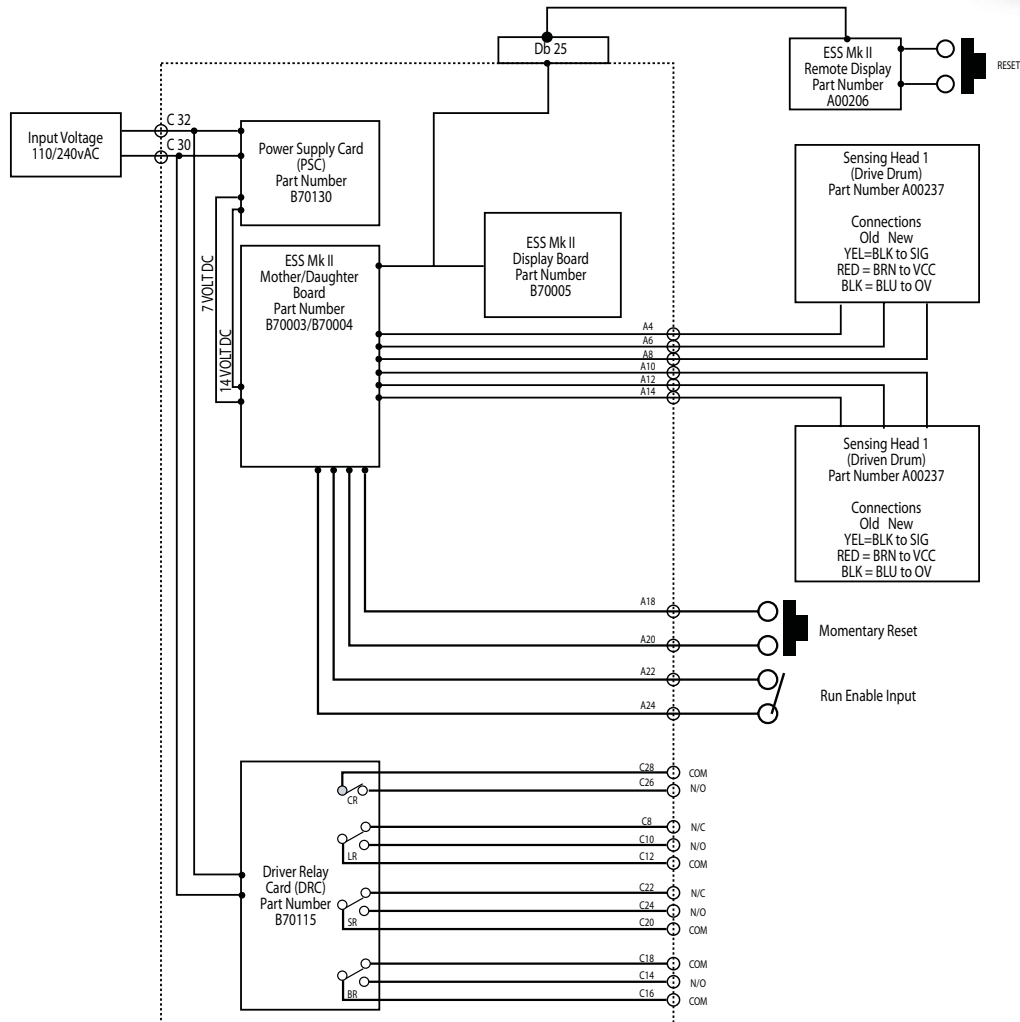
- Bland, VA

BRAMCO  
ELECTRONICS

ABN 49 327 604 798  
PO Box 15  
LAMBTON NSW 2299  
www.bramco.com.au



### ESS MkII Module



### Module Dimensions

