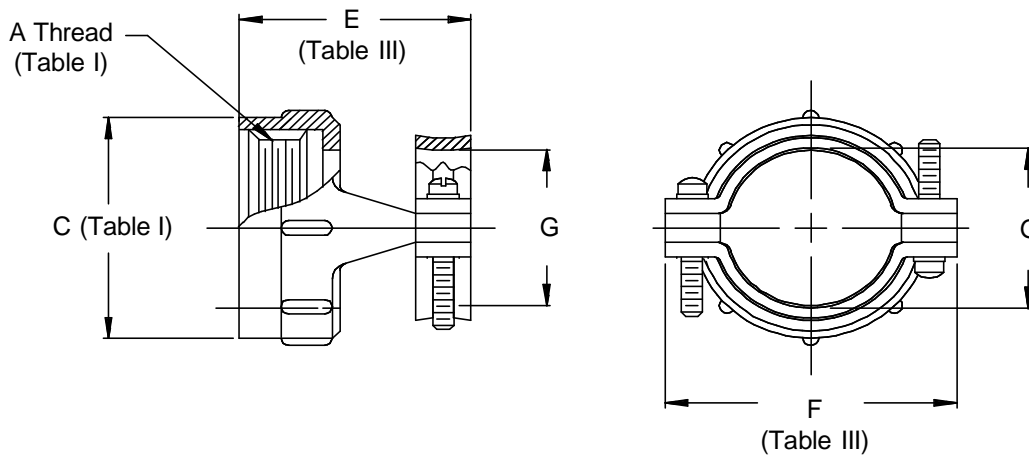
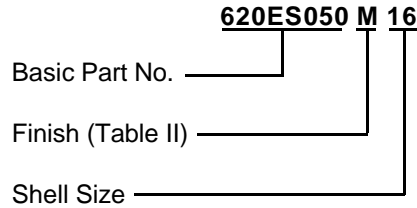


**CONNECTOR
DESIGNATOR**
E
**DIRECT
COUPLING**


See inside back cover fold-out or pages 13 and 14 for Tables I and II.

TABLE III: CABLE ENTRY			
Shell Size	E Max	F Max	G Dia ± .030 (0.8)
08	.950 (24.1)	.742 (18.8)	.186 (4.7)
10	.950 (24.1)	.873 (22.2)	.270 (6.9)
12	.950 (24.1)	.972 (24.7)	.450 (11.4)
14	1.185 (30.1)	1.078 (27.4)	.460 (11.7)
16	1.185 (30.1)	1.242 (31.5)	.610 (15.5)
18	1.185 (30.1)	1.345 (34.2)	.690 (17.5)
20	1.185 (30.1)	1.472 (37.4)	.816 (20.7)
22	1.185 (30.1)	1.597 (40.6)	.940 (23.9)
24	1.185 (30.1)	1.724 (43.8)	1.066 (27.1)

1. Cable Entry is defined as the accommodation entry for the wire bundle or cable. Dimensions are not intended for inspection criteria.
2. Metric dimensions (mm) are indicated in parentheses.