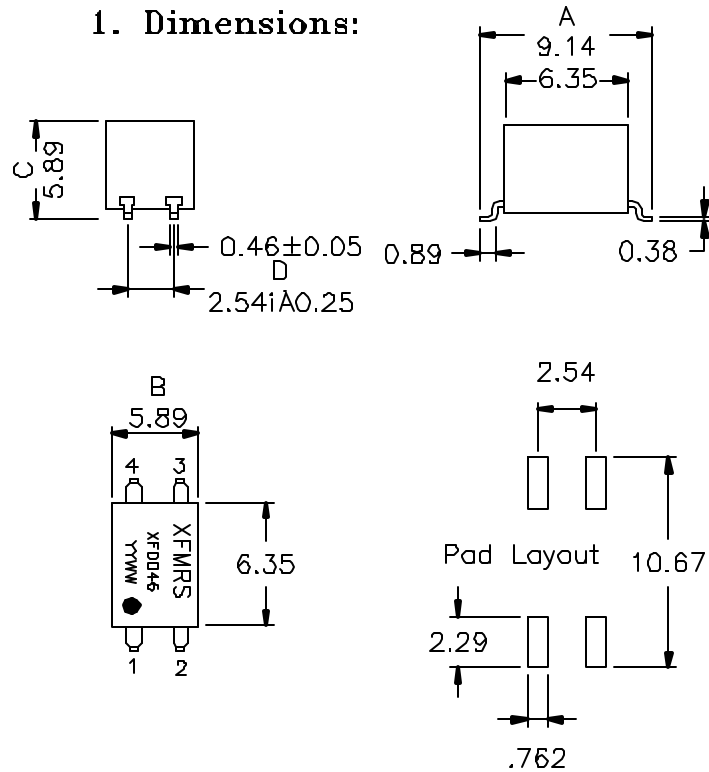
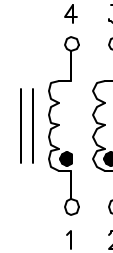


1. Dimensions:



2. Schematic:



3. Electrical Specifications

OCL: 4.0uH Min 100KHz, 0.1V Each Wdg.

LL: 1-4, 250nH Max @100KHz, 0.1V Tie 3+2

Impedance: 50 Ohms Typical @ 100MHz

Freq Range: 0-150MHz

Current Rating: 15mA Typical

DC Res : 0.400 Ohms Typ Each Wdg.

Isolation: 750Vrms

Operating Temp.: -25 to +85°C

DOC. REV: A/1

| | | | |
|--|---------------------------------|----------|-----------|
| XFMRS Inc UNLESS OTHERWISE SPECIFIED TOLERANCES: Typical Dimensions in MM Scale 2.5:1 SHT 1 OF 1 | Title: Common Mode Choke | | |
| | P/N: XFO046-00SM | | REV A |
| | DWN. | 廖玉坤 | Sep-29-00 |
| | CHK. | 李清儿 | Sep-29-00 |
| | APP. | Joe Huff | Sep-29-00 |