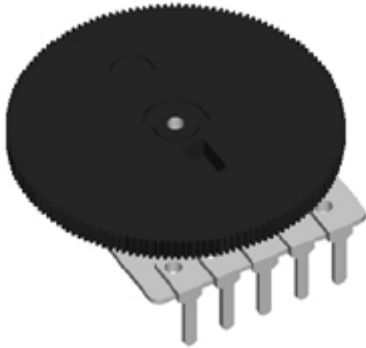


Model(型號): **ROTARY POTENTIOMETER-----R10A1MH01[x]**

► Download PDF file



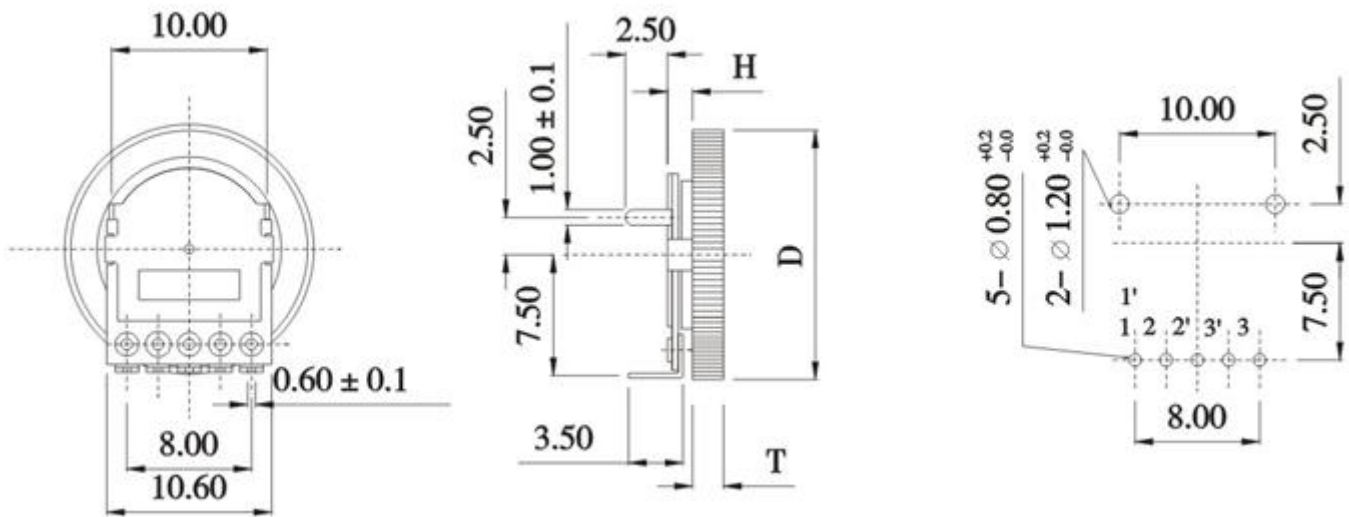
**Features:(特點):**

Thin body, only 0.9mm thickness.  
We offer both the DIP soldering type and reflow type.

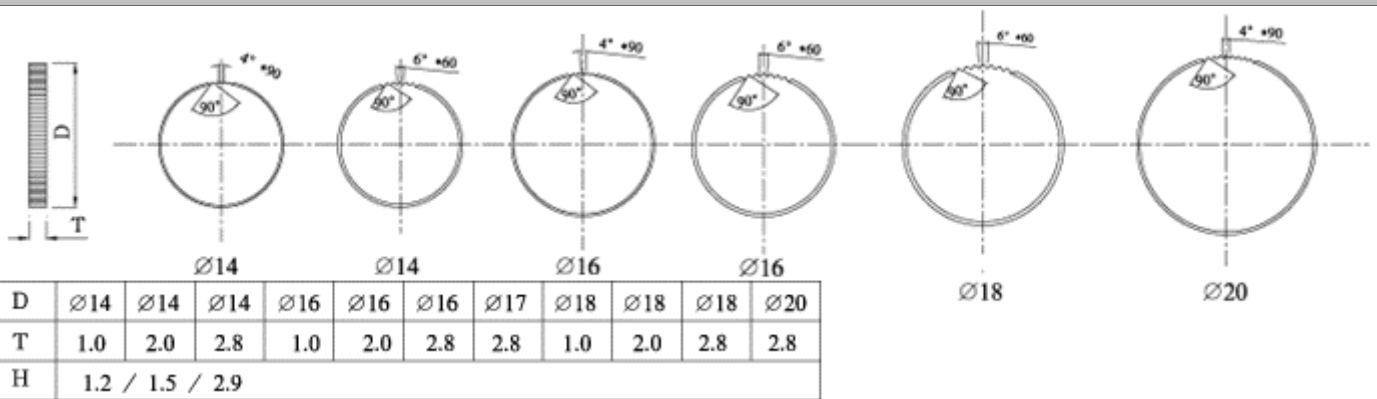
**Applications(作用):**

For volume controls, electronic tuning and brightness control in radio , headphone stereo,liquidcrystal TV set,personal computer, CD-ROM,ect.

**Dimensions(規格圖):**



**TYPE OF KNOB**



**Specifications(規格)**

Total resistance [ 全阻抗值 ]	100Ω - 1MΩ
Total resistance tolerance [ 全阻抗值容許差 ]	±20%
Ratings power(w) [ 額定功率 ]	0.03W
Resistance taper [ 阻抗變化特性 ]	A,B,C,
Residual resistance [ 殘留阻值 ]	20Ω Max
Sliding noise [ 滑動雜音 ]	70mV Max.
Gang error [ 連動誤差 ]	R ≤ 1KΩ, 30dB~0dB ±3dB Max ; R > 1KΩ, 40dB~0dB ±3dB Max .
Insulation resistance [ 絕緣阻抗 ]	100MΩ Min. at DC 100V.
Max. operating voltage [ 最高使用電壓 ]	AC 50V · DC 12V
<b>Mechanical Characteristics [ 機械性能 ]</b>	
Operation torque [ 回轉力矩 ]	10~60gf . cm

Rotation stopper strength [ 止動強度 ]	0.6Kgf . cm Min.
Total rotational angle [回轉角度]	270 ±5°
Knob push-pull strength [推拉強度]	Push force 0.5kgf. cm Max. pull force 0.2kgf.cm Max.
<b>Endurance Characteristics [ 耐久性能 ]</b>	
Rotational life [ 回轉壽命 ]	More than 5,000 cycles

[Http://www.productwell.com](http://www.productwell.com) E-Mail: [pwlhk@productwell.com](mailto:pwlhk@productwell.com)

Tel: ( 852)2687 3208 Fax: ( 852)2687 3336