

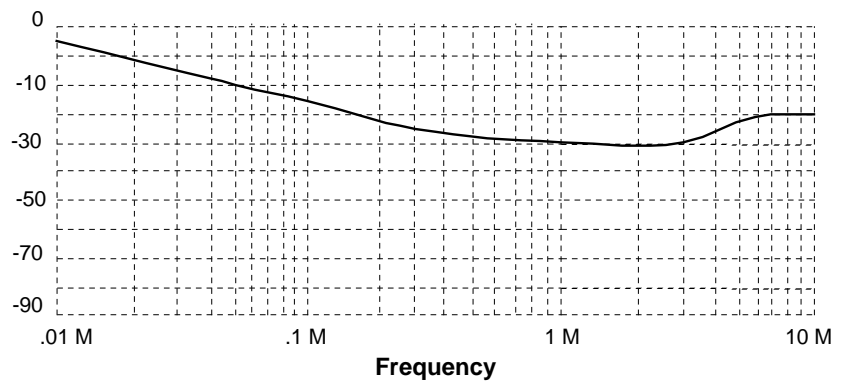
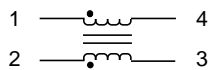
EPA3733 & EPA3733-LF

- Noise suppression Choke
- Add “-LF” after part number for Lead-Free
- 1250 Vrms Isolation
- 13 A Rated Current

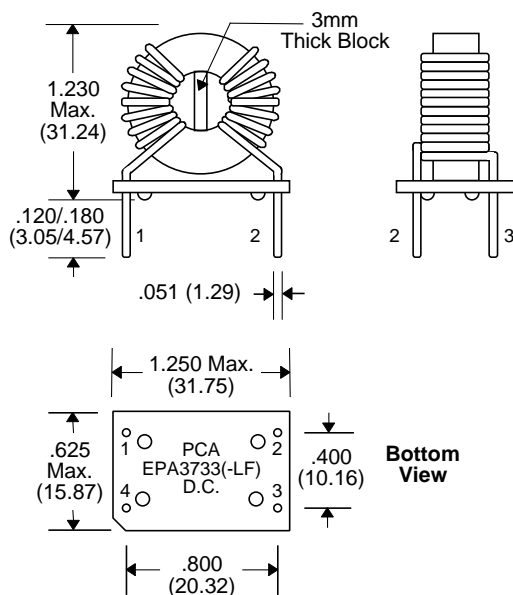
Electrical Parameters @ 25° C

Inductance (μ H Min.)	DCR (m Max.)	Turns Ratio	SRF (MHz Typ.)
Pins 1-4	Pins 1-4	Pins 1-4 : 2-3	
275	8	1 : 1	2

Schematic



Package



Notes :	EPA3733	EPA3733-LF
1. Lead Finish	SnPb	Hot Tin Dip (Sn)
2. Peak Solder Rating (for wave solder process Only)	225°C (10 +2/-0) Seconds	260°C (10 +2/-0) Seconds
4. Weight	TBD grams	TBD grams
5. Packaging Information	(Tube) TBD pcs / tube	TBD pcs / tube

Unless Otherwise Specified Dimensions are in Inches /mm \pm .010 / .25